



Chipsmall Limited consists of a professional team with an average of over 10 year of expertise in the distribution of electronic components. Based in Hongkong, we have already established firm and mutual-benefit business relationships with customers from,Europe,America and south Asia,supplying obsolete and hard-to-find components to meet their specific needs.

With the principle of “Quality Parts,Customers Priority,Honest Operation,and Considerate Service”,our business mainly focus on the distribution of electronic components. Line cards we deal with include Microchip,ALPS,ROHM,Xilinx,Pulse,ON,Everlight and Freescale. Main products comprise IC,Modules,Potentiometer,IC Socket,Relay,Connector.Our parts cover such applications as commercial,industrial, and automotives areas.

We are looking forward to setting up business relationship with you and hope to provide you with the best service and solution. Let us make a better world for our industry!



Contact us

Tel: +86-755-8981 8866 Fax: +86-755-8427 6832

Email & Skype: info@chipsmall.com Web: www.chipsmall.com

Address: A1208, Overseas Decoration Building, #122 Zhenhua RD., Futian, Shenzhen, China



Electronic overload relays

22A

Description

- Wide and adjustable current range
- Adjustable trip time (trip class 5-10-15-20-30)
- Designed suitable for use with contactors
Directly mountable on the CGC-9, 12, 18, 22 contactors
Separate mount versions are also available
Mounting on 35mm DIN rail is possible by optional base.
- 1NO+1NC trip contacts
- Manual reset as standard (Automatic reset optional)



Extended protective functions

Number of sensors		2CT	3CT	3CT
Types (CGE22-□)		(-2P, -2T, -2S)	(-3P, -3T, -3S)	(-3PR, -3TR, -3SR)
Functions	Overcurrent	✓	✓	✓
	Phase loss	✓	✓	✓
	Locked rotor	✓	✓	✓
	Phase unbalance		✓	✓
	Phase reversed			✓

Selection

Mount/Connection	Sensor	Setting range	Catalog No.
Directly on a contactor	2-sensor (2 CT)	0.3 - 1.5A	CGE22 - 2P - 1.5AN
		1 - 5A	CGE22 - 2P - 5AN
		4.4 - 22A	CGE22 - 2P - 22AN
	3-sensor (3 CT)	0.3 - 1.5A	CGE22 - 3P - 1.5AN
		1 - 5A	CGE22 - 3P - 5AN
		4.4 - 22A	CGE22 - 3P - 22AN
	3-sensor Reverse phase detection	0.3 - 1.5A	CGE22 - 3PR - 1.5AN
		1 - 5A	CGE22 - 3PR - 5AN
		4.4 - 22A	CGE22 - 3PR - 22AN
Separate mount ①	2-sensor (2 CT)	0.3 - 1.5A	CGE22 - 2S - 1.5A
		1 - 5A	CGE22 - 2S - 5A
		4.4 - 22A	CGE22 - 2S - 22A
Cable connection with a screw ②	3-sensor (3 CT)	0.3 - 1.5A	CGE22 - 3S - 1.5A
		1 - 5A	CGE22 - 3S - 5A
		4.4 - 22A	CGE22 - 3S - 22A
	3-sensor Reverse phase detection	0.3 - 1.5A	CGE22 - 3SR - 1.5A
		1 - 5A	CGE22 - 3SR - 5A
		4.4 - 22A	CGE22 - 3SR - 22A
Separate mount ①	2-sensor (2 CT)	0.3 - 1.5A	CGE22 - 2T - 1.5A
		1 - 5A	CGE22 - 2T - 5A
		4.4 - 22A	CGE22 - 2T - 22A
Connection without a screw ② - cables pass through CT holes	3-sensor (3 CT)	0.3 - 1.5A	CGE22 - 3T - 1.5A
		1 - 5A	CGE22 - 3T - 5A
		4.4 - 22A	CGE22 - 3T - 22A
	3-sensor Reverse phase detection	0.3 - 1.5A	CGE22 - 3TR - 1.5A
		1 - 5A	CGE22 - 3TR - 5A
		4.4 - 22A	CGE22 - 3TR - 22A



Certificate
CE, ULcUL

Ordering information

Specify catalog number

Front face configuration



Current setting

- 0.1 - 1.5A
- 1 - 5A
- 4.4 - 22A

LED indicator

- Operation status indication
- Normal operating
 - Overload
 - Phase unbalance
- Trip cause indication
- Overcurrent
 - Phase loss
 - Reverse phase

Test/Reset button

Trip time setting

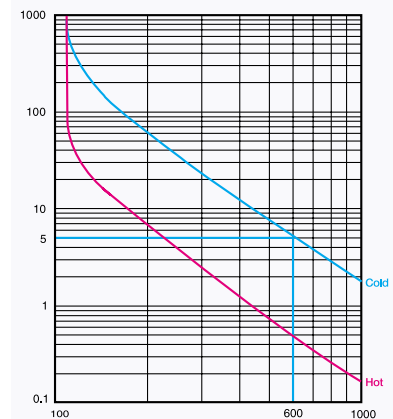
- 0 to 30 sec
- Set time is the trip time at 6 x set current



① To mount on 35mm DIN rail use the optional base



② Cable connection part can be modified between screw connection and passing CT hole



Technical information

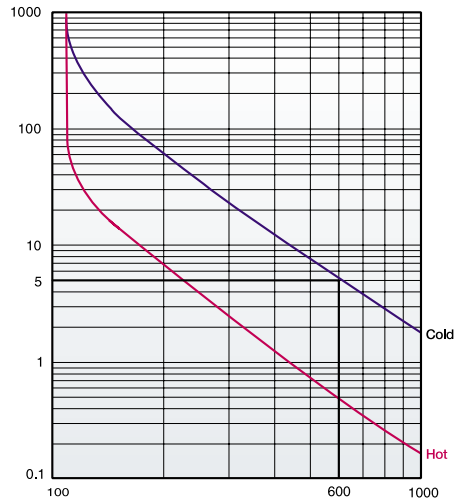
Relay control voltage	100 to 260V AC 50/60Hz
Auxiliary contact	3A/250VAC at resistive load 1NO(97-98) + 1NC(95-96)
Setting tolerance	Current $\pm 5\%$ Time $\pm 5\%$ (or $\pm 0.5\text{sec}$)
Insulation resistance	Min 100 $\text{M}\Omega$ at 500V DC
Impulse withstand voltage	1.2x50 μs 5kV (IEC1000-4-5)
Fast transient burst	2kV/5min (IEC1000-4-4)
Ambient temperature	-25 to 70 $^{\circ}\text{C}$ for operation -30 to 80 $^{\circ}\text{C}$ for storage
Humidity	30 to 90% RH

For more information

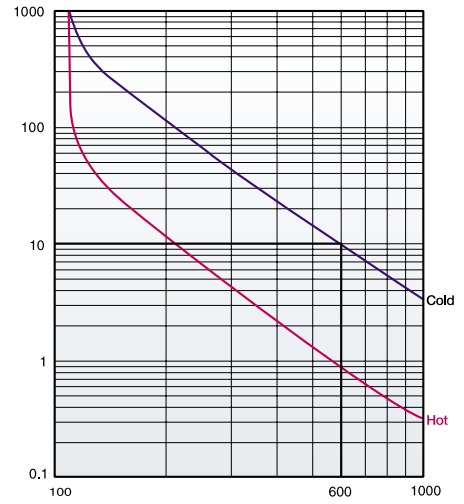
- Drawings \rightarrow page 169
- Connections \rightarrow page 170
- Contactors \rightarrow page 40
- Starters \rightarrow page 81
- Bimetallic overload relay \rightarrow page 64
- Operating curves \rightarrow page 137

CGE

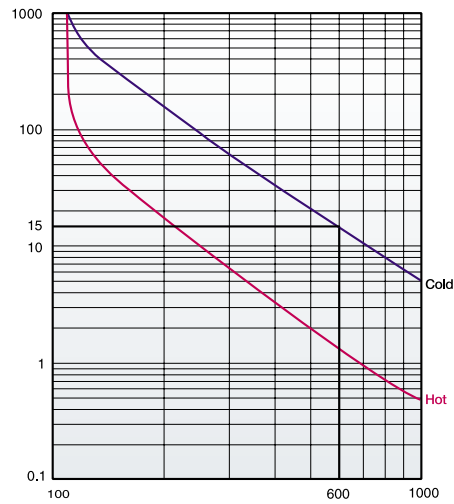
Trip class 5



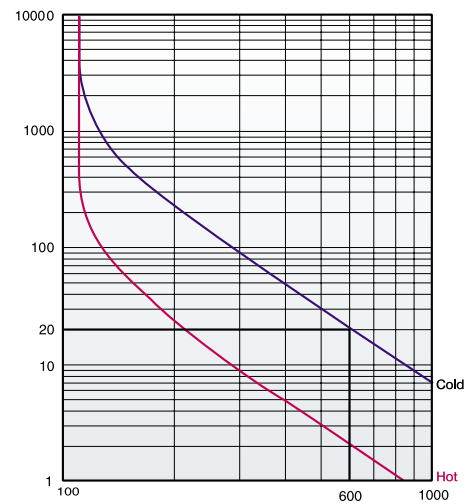
Trip class 10



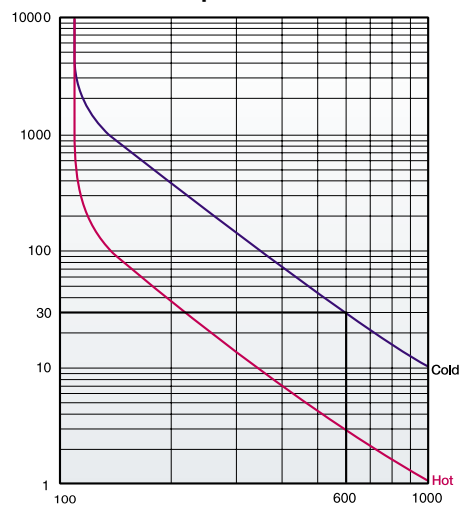
Trip class 15



Trip class 20



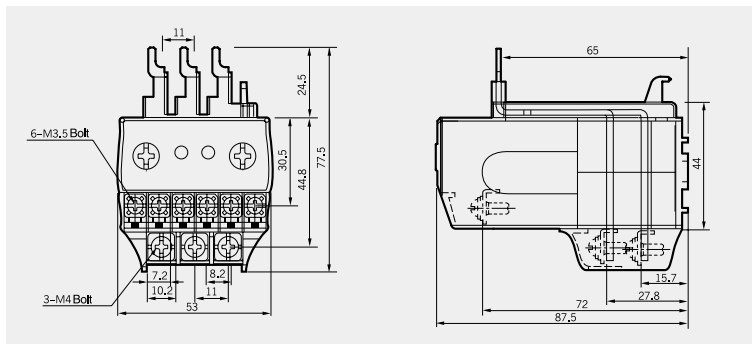
Trip class 30



Dimensions

Electronic Overload Relays

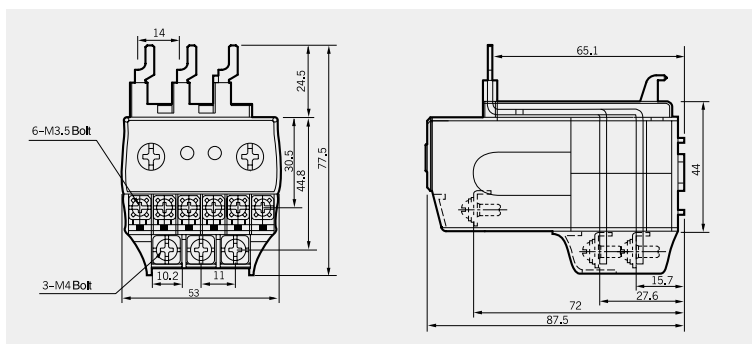
- CGE22-2P
- CGE22-3P
- CGE22-3PR



Terminal configuration : See Fig. 1 on the next page

0.18kg

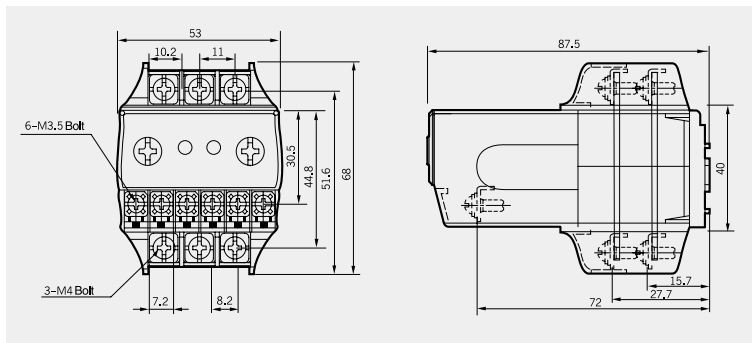
- CGE40-2P
- CGE40-3P
- CGE40-3PR



Terminal configuration : See Fig. 1 on the next page

0.20kg/0.22kg

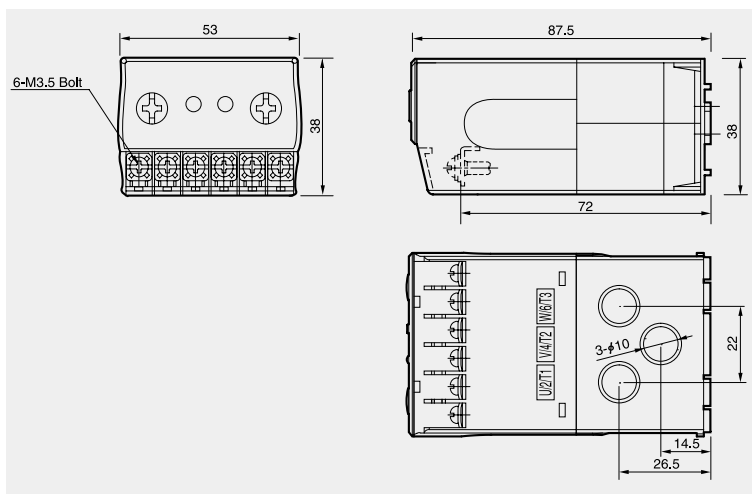
- CGE22-2S
- CGE22-3S
- CGE22-3SR
- CGE40-2S
- CGE40-3S
- CGE40-3SR



Terminal configuration : See Fig. 2 on the next page

0.19kg/0.21kg

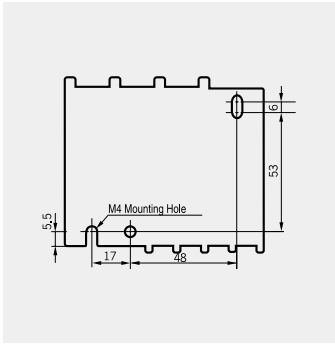
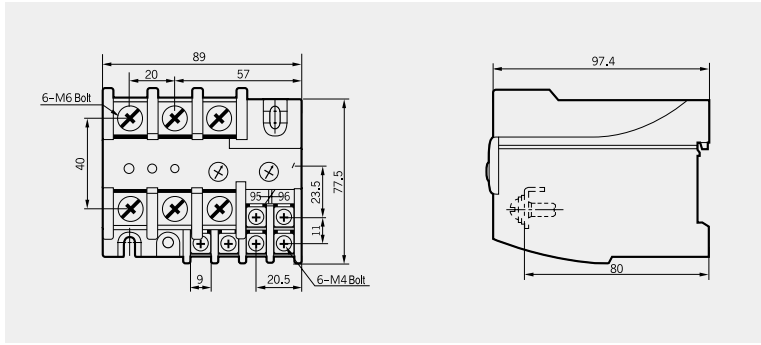
- CGE22-2T
- CGE22-3T
- CGE22-3TR
- CGE40-2T
- CGE40-3T
- CGE40-3TR



Terminal configuration : See Fig. 3 on the next page

0.14kg/0.16kg

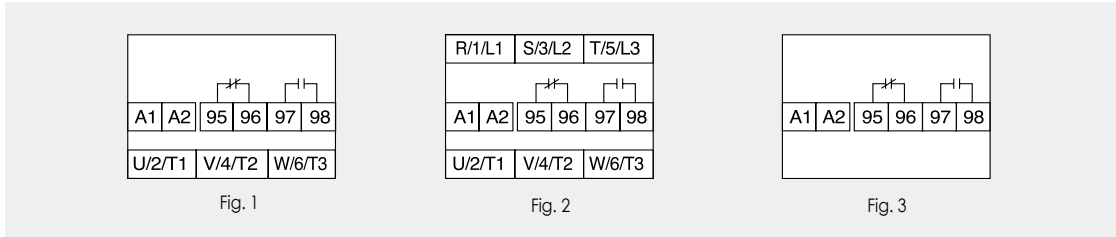
- CGE80-2S
- CGE80-3S
- CGE80-3SR



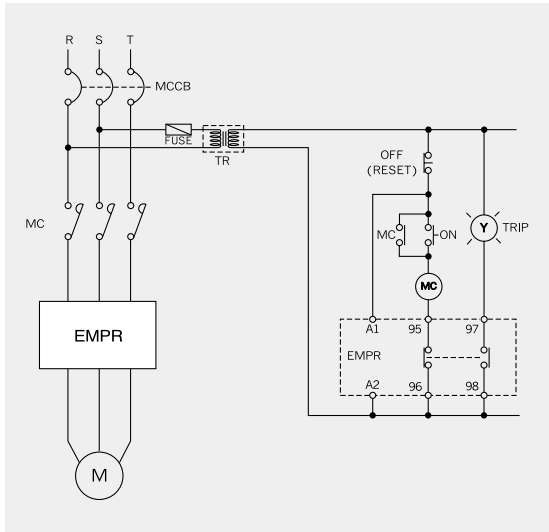
Terminal configuration : See Fig. 2

0.42kg/0.46kg

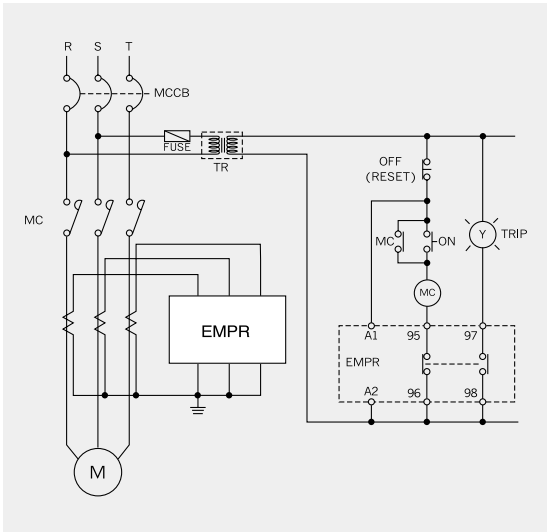
Terminal configuration



Circuit diagram



Without additional CTs



In case of using additional CTs