



Chipsmall Limited consists of a professional team with an average of over 10 year of expertise in the distribution of electronic components. Based in Hongkong, we have already established firm and mutual-benefit business relationships with customers from,Europe,America and south Asia,supplying obsolete and hard-to-find components to meet their specific needs.

With the principle of “Quality Parts,Customers Priority,Honest Operation,and Considerate Service”,our business mainly focus on the distribution of electronic components. Line cards we deal with include Microchip,ALPS,ROHM,Xilinx,Pulse,ON,Everlight and Freescale. Main products comprise IC,Modules,Potentiometer,IC Socket,Relay,Connector.Our parts cover such applications as commercial,industrial, and automotives areas.

We are looking forward to setting up business relationship with you and hope to provide you with the best service and solution. Let us make a better world for our industry!



Contact us

Tel: +86-755-8981 8866 Fax: +86-755-8427 6832

Email & Skype: info@chipsmall.com Web: www.chipsmall.com

Address: A1208, Overseas Decoration Building, #122 Zhenhua RD., Futian, Shenzhen, China



Electronic overload relays

40A



Description

- Wide and adjustable current range
- Adjustable trip time (trip class 5-10-15-20-30)
- Designed suitable for use with contactors
Directly mountable on the CGC-32, 40 contactors
Separate mount versions are also available
Mounting on 35mm DIN rail is possible by optional base.
- 1NO+1NC trip contacts
- Manual reset as standard (Automatic reset optional)

Extended protective functions

Number of sensors		2CT	3CT	3CT
Types (CGE40- ...)		(-2P, -2T, -2S)	(-3P, -3T, -3S)	(-3PR, -3TR, -3SR)
Functions	Overcurrent	✓	✓	✓
	Phase loss	✓	✓	✓
	Locked rotor	✓	✓	✓
	Phase unbalance		✓	✓
	Phase reversed			✓

Selection



Mount/Connection	Sensor	Setting range	Catalog No.		
Directly on a contactor	2-sensor (2 CT)	4 - 20A 8 - 40A	CGE40-2P - 20AN CGE40-2P - 40AN		
	3-sensor (3 CT)	4 - 20A 8 - 40A	CGE40-3P - 20AN CGE40-3P - 40AN		
	3-sensor Reverse phase detection	4 - 20A 8 - 40A	CGE40-3PR - 20AN CGE40-3PR - 40AN		
	Separate mount ①	2-sensor (2 CT)	4 - 20A 8 - 40A	CGE40-2S - 20A CGE40-2S - 40A	
		Cable connection with a screw ②	3-sensor (3 CT)	4 - 20A 8 - 40A	CGE40-3S - 20A CGE40-3S - 40A
			3-sensor Reverse phase detection	4 - 20A 8 - 40A	CGE40-3SR - 20A CGE40-3SR - 40A
Separate mount ①	2-sensor (2 CT)	4 - 20A 8 - 40A	CGE40-2T - 20A CGE40-2T - 40A		
	Connection without a screw ②	3-sensor (3 CT)	4 - 20A 8 - 40A	CGE40-3T - 20A CGE40-3T - 40A	
		- cables pass through CT holes	3-sensor	4 - 20A	CGE40-3TR - 20A
		Reverse phase detection	8 - 40A	CGE40-3TR - 40A	

Certificate
CE, ULcUL

Ordering information

Specify catalog number

Front face configuration



Current setting

- 0.1 - 1.5A
- 1 - 5A
- 4.4 - 22A

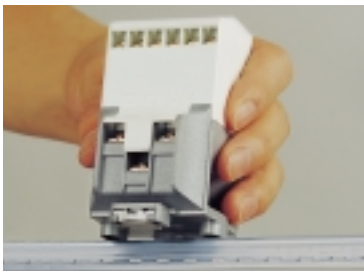
LED indicator

- Operation status indication
- Normal operating
 - Overload
 - Phase unbalance
- Trip cause indication
- Overcurrent
 - Phase loss
 - Reverse phase

Test/Reset button

Trip time setting

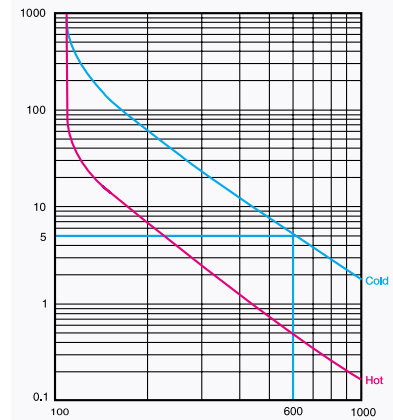
- 0 to 30 sec
- Set time is the trip time at 6 x set current



① To mount on 35mm DIN rail use the optional base



② Cable connection part can be modified between screw connection and passing CT hole



Technical information

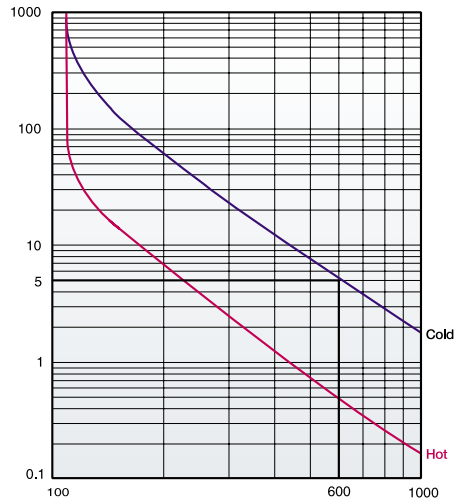
Relay control voltage	100 to 260V AC 50/60Hz
Auxiliary contact	3A/250VAC at resistive load 1NO(97-98) + 1NC(95-96)
Setting tolerance	Current $\pm 5\%$ Time $\pm 5\%$ (or $\pm 0.5\text{sec}$)
Insulation resistance	Min 100 $\text{M}\Omega$ at 500V DC
Impulse withstand voltage	1.2x50 μs 5kV (IEC1000-4-5)
Fast transient burst	2kV/5min (IEC1000-4-4)
Ambient temperature	-25 to 70 $^{\circ}\text{C}$ for operation -30 to 80 $^{\circ}\text{C}$ for storage
Humidity	30 to 90% RH

For more information

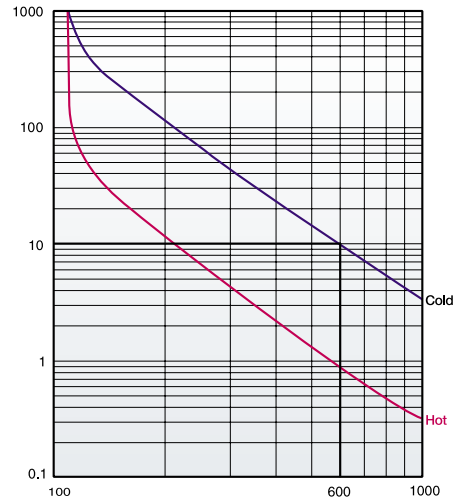
- Drawings → page 169
- Connections → page 170
- Contactors → page 40
- Starters → page 81
- Bimetallic overload relay → page 65
- Operating curves → page 137

CGE

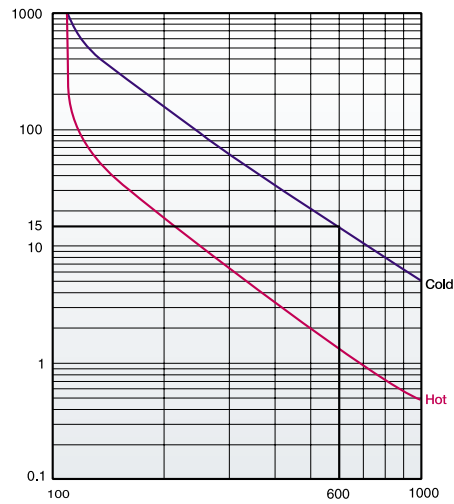
Trip class 5



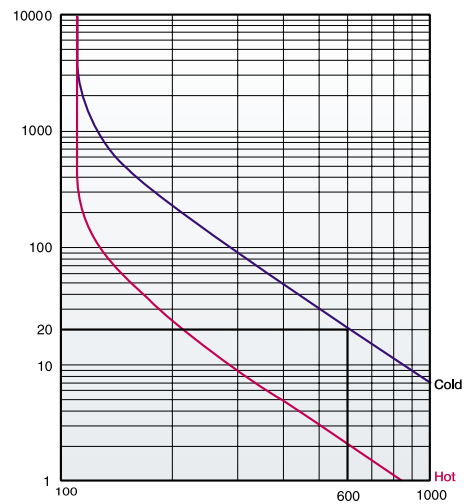
Trip class 10



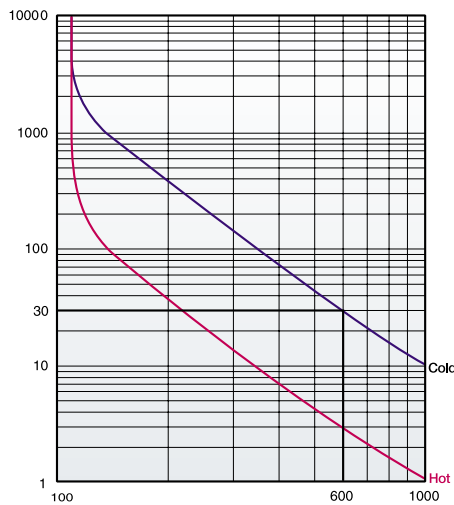
Trip class 15



Trip class 20



Trip class 30



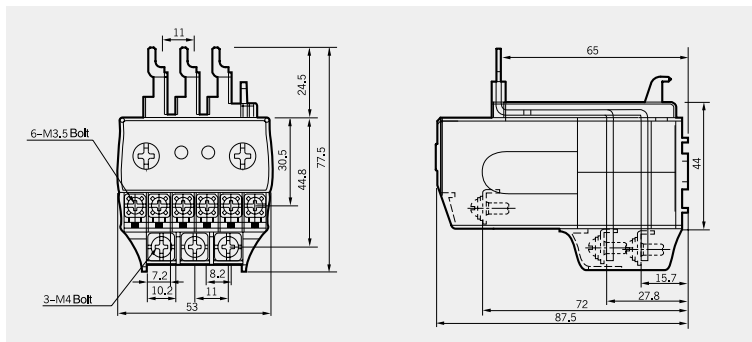
Dimensions

Electronic Overload Relays

CGE22-2P

CGE22-3P

CGE22-3PR



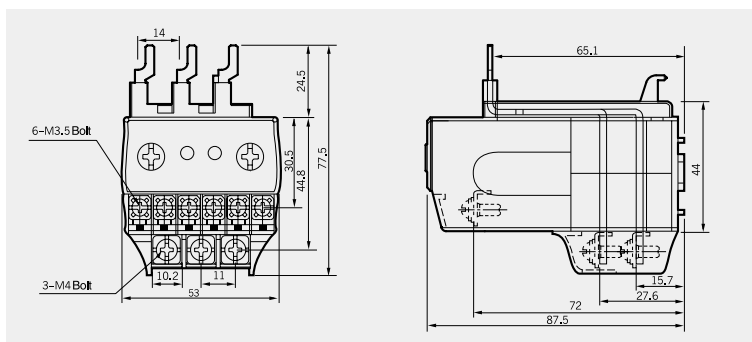
Terminal configuration : See Fig. 1 on the next page

0.18kg

CGE40-2P

CGE40-3P

CGE40-3PR



Terminal configuration : See Fig. 1 on the next page

0.20kg/0.22kg

CGE22-2S

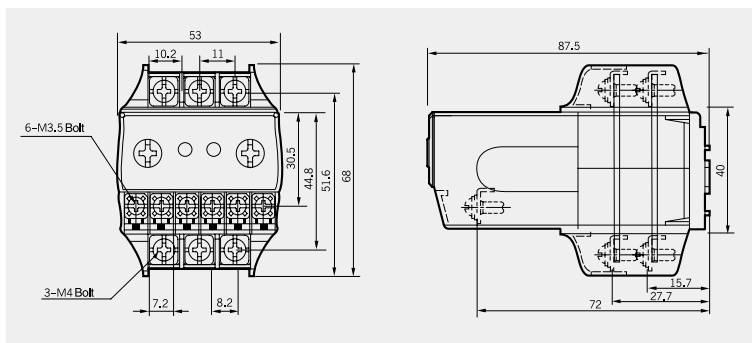
CGE22-3S

CGE22-3SR

CGE40-2S

CGE40-3S

CGE40-3SR



Terminal configuration : See Fig. 2 on the next page

0.19kg/0.21kg

CGE22-2T

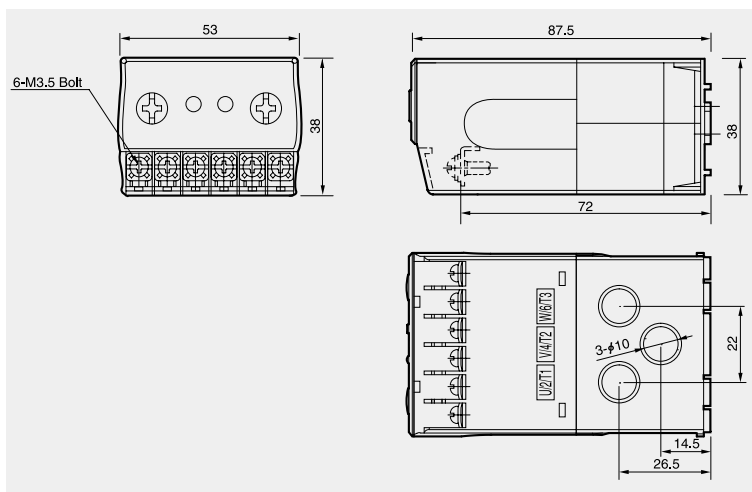
CGE22-3T

CGE22-3TR

CGE40-2T

CGE40-3T

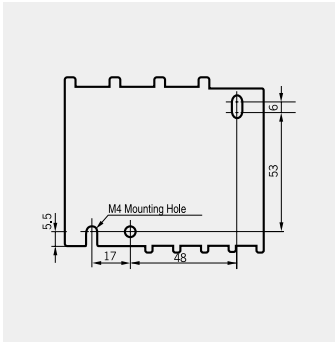
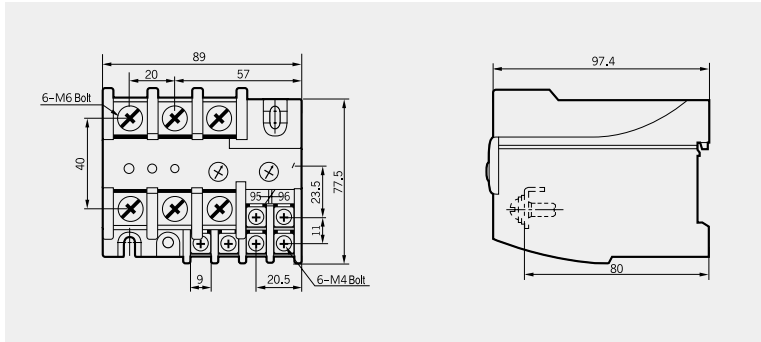
CGE40-3TR



Terminal configuration : See Fig. 3 on the next page

0.14kg/0.16kg

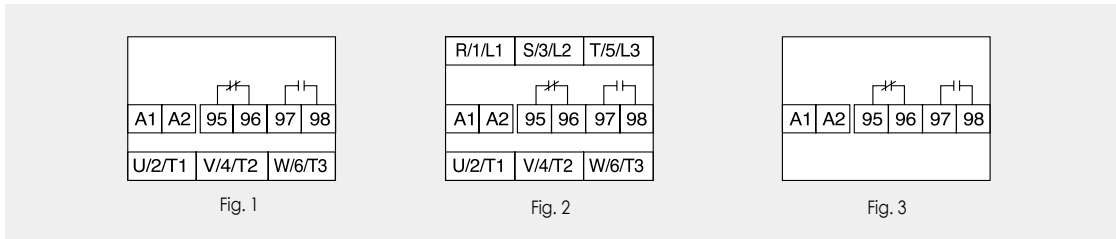
- CGE80-2S
- CGE80-3S
- CGE80-3SR



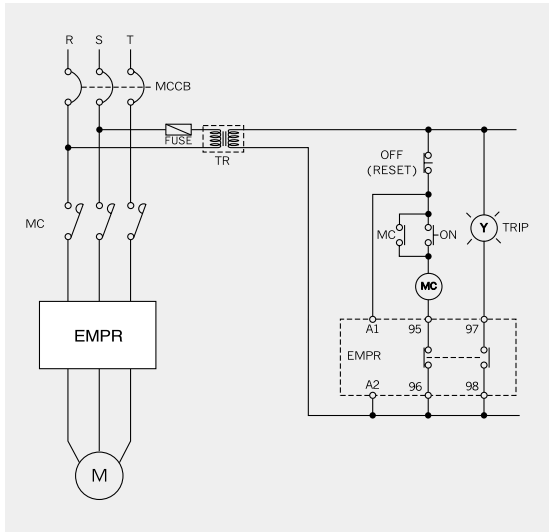
Terminal configuration : See Fig. 2

0.42kg/0.46kg

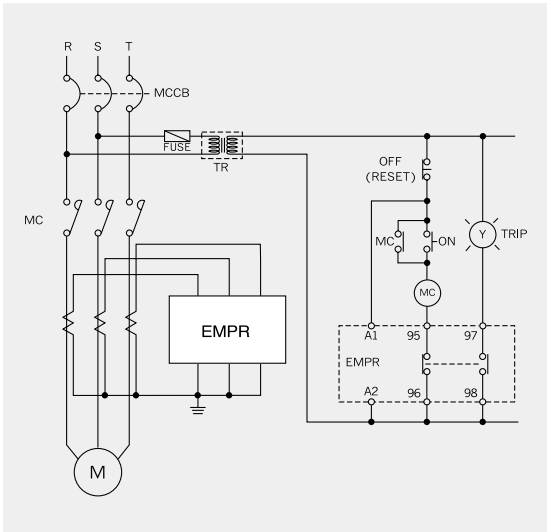
Terminal configuration



Circuit diagram



Without additional CTs



In case of using additional CTs