



Chipsmall Limited consists of a professional team with an average of over 10 year of expertise in the distribution of electronic components. Based in Hongkong, we have already established firm and mutual-benefit business relationships with customers from,Europe,America and south Asia,supplying obsolete and hard-to-find components to meet their specific needs.

With the principle of "Quality Parts,Customers Priority,Honest Operation,and Considerate Service",our business mainly focus on the distribution of electronic components. Line cards we deal with include Microchip,ALPS,ROHM,Xilinx,Pulse,ON,Everlight and Freescale. Main products comprise IC,Modules,Potentiometer,IC Socket,Relay,Connector.Our parts cover such applications as commercial,industrial, and automotives areas.

We are looking forward to setting up business relationship with you and hope to provide you with the best service and solution. Let us make a better world for our industry!



Contact us

Tel: +86-755-8981 8866 Fax: +86-755-8427 6832

Email & Skype: info@chipsmall.com Web: www.chipsmall.com

Address: A1208, Overseas Decoration Building, #122 Zhenhua RD., Futian, Shenzhen, China



SPECIFICATION

Part No. : **CGGBP.25.4.A.02**

Product Name : Embedded 25mm
GPS/GLONASS/GALILEO/BEIDOU Patch
Antenna, 1561/1575/1602MHz

Feature : 25*25*4mm Ceramic patch
High Gain (up to 3.5dBi)
Excellent stability on the three GNSS systems
Optimized radiation patterns
Pin Mount
RoHS Compliant



1. Introduction

This 25mm square embedded ceramic GPS/GLONASS/GALILEO/BEIDOU patch antenna's wide band of operation leads to excellent gain and radiation pattern stability on all four common commercial GNSS systems worldwide.

Compared to using a smaller antenna, this will translate into the GNSS system having much higher location accuracy, improved reliability of lock in urban areas, better signal reception, with more satellites acquired and a quicker time to first fix.

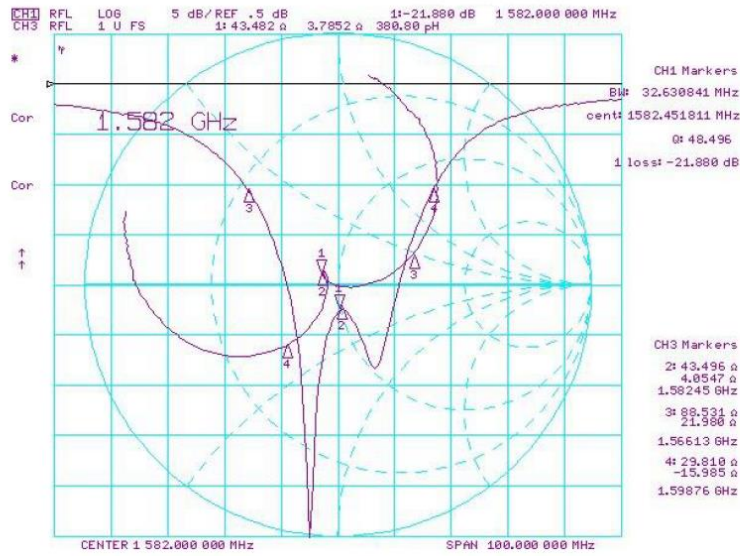
The patch is mounted via pin and double-sided adhesive.

2. Specification

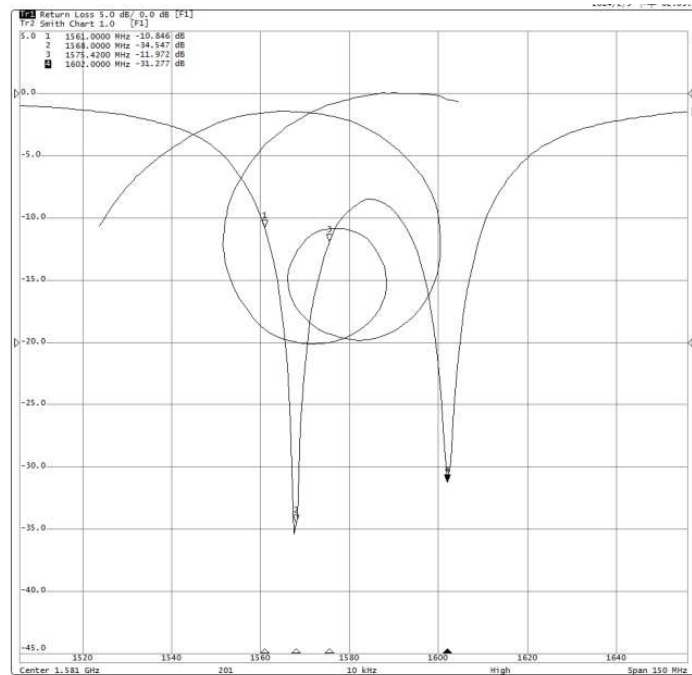
ELECTRICAL	
Frequency	BeiDou: 1561.098MHz \pm 2.046MHz GPS/GALILEO: 1575.42 \pm 1.023MHz GLONASS: 1602 \pm 5MHz
Centre Frequency	1582MHz \pm 3MHz
VSWR	BeiDou: 2.5 max. GPS/GALILEO: 2.5 max. GLONASS: 1.8 max.
Zenith Gain	BeiDou: +2.5 dBi typ. GPS/GALILEO: +1.5dBi typ. GLONASS: +3.5 dBi typ.
Impedance	50 Ω
MECHANICAL	
Dimensions	25 x 25 x 4mm
Material	Ceramic
Pin Diameter	0.9mm
Pin Length	1.65mm
ENVIRONMENTAL	
Operation Temperature	-40°C to 85°C
Storage Temperature	-40°C to 105°C
Humidity	Non-condensing 65°C 95% RH

3. Antenna Characteristics

3.1. S11 Impedance

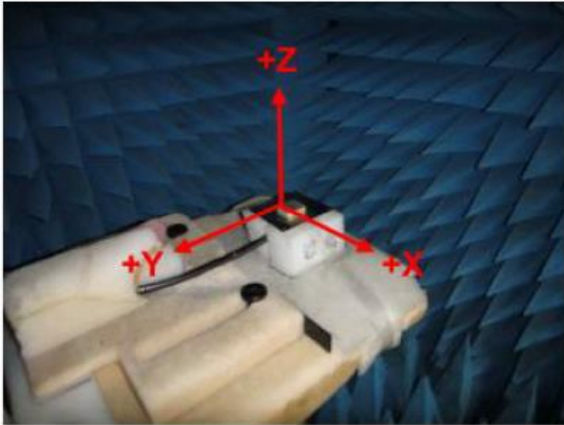


3.2. Return Loss

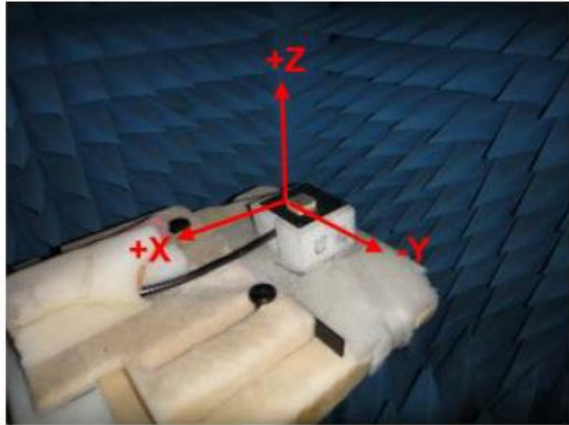


4. 2D Antenna Radiation

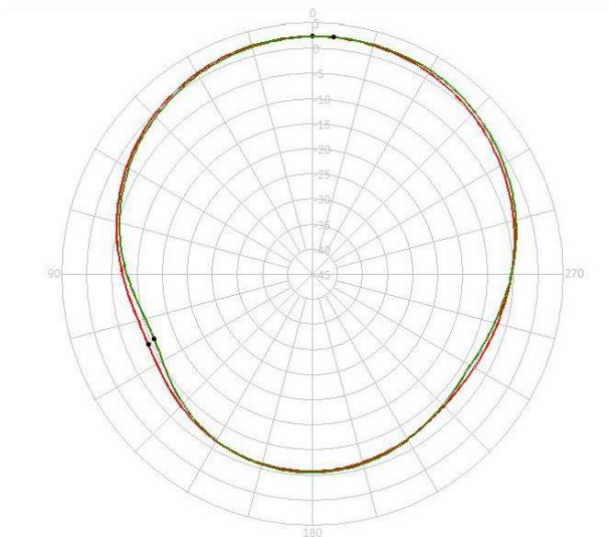
XZ-Plane



YZ-Plane

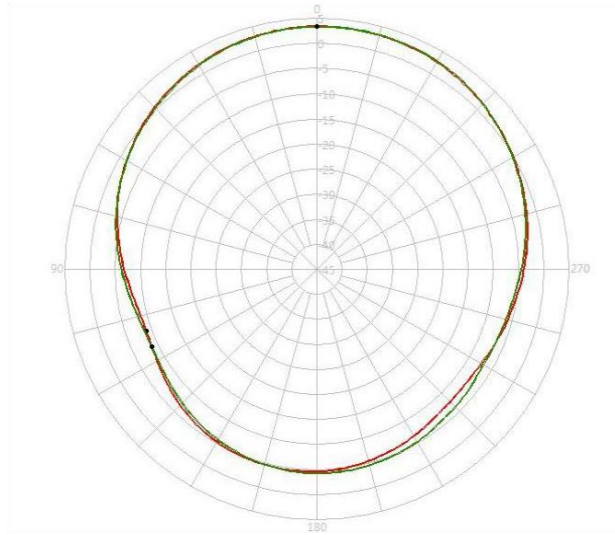


4.1. 1575.42MHz



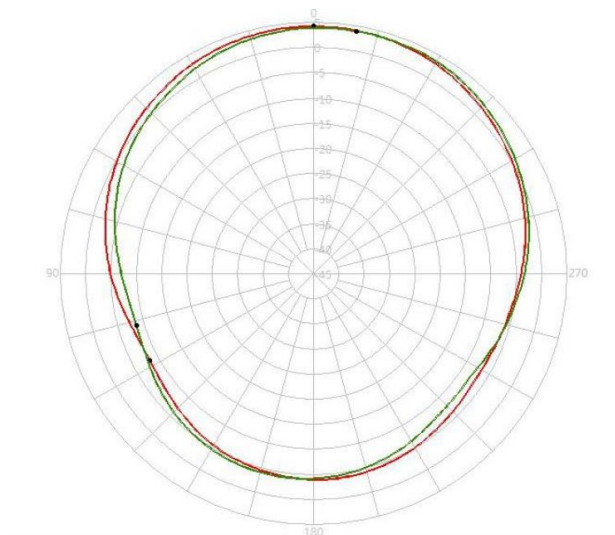
	Peak Gain (dBi)	Average Gain (dBi)
XZ Plane	2.39	-2.26
YZ Plane	2.38	-2.25

4.2. 1561MHz



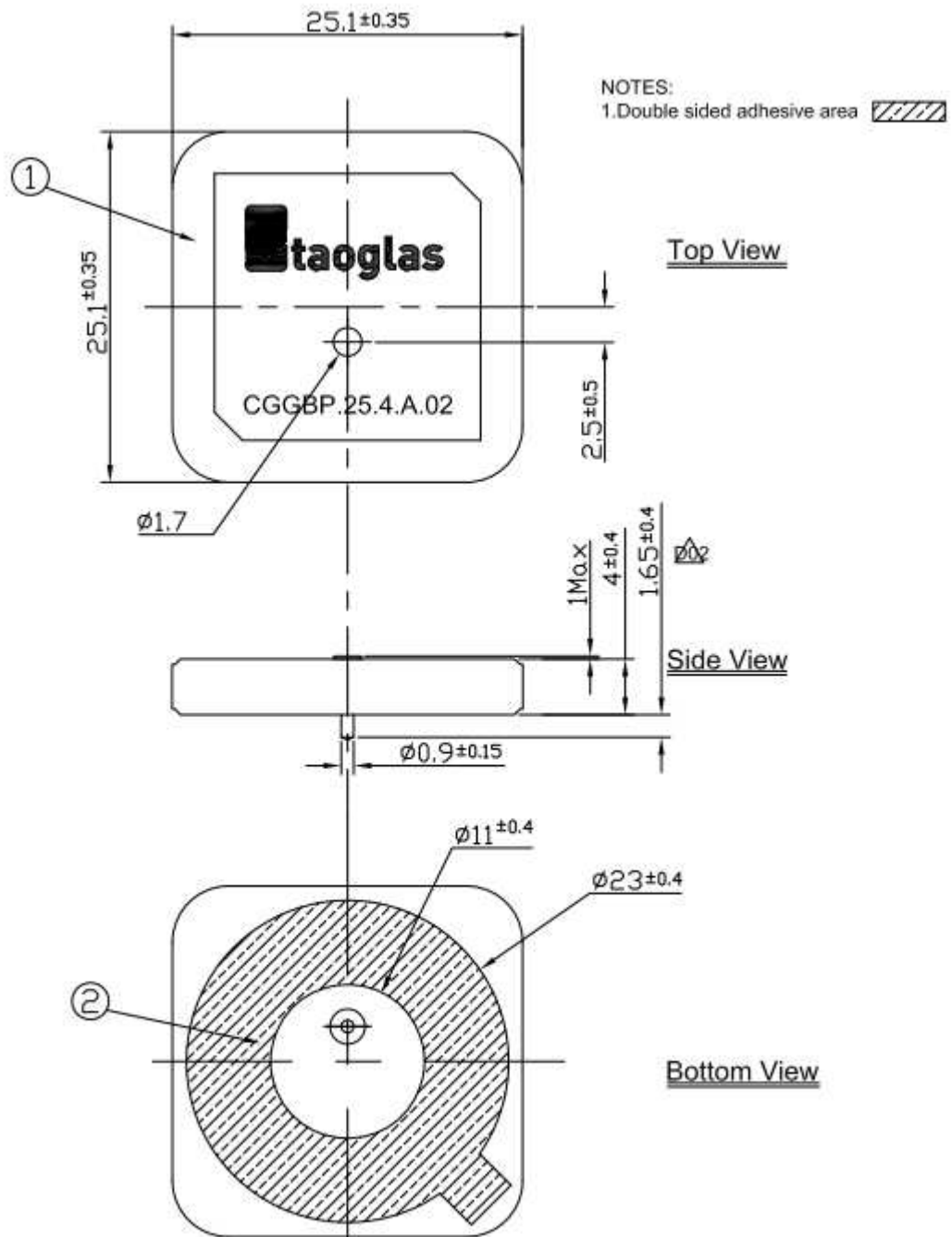
	Peak Gain (dBi)	Average Gain (dBi)
XZ Plane	3.41	-1.20
YZ Plane	3.36	-1.19

4.3. 1602MHz



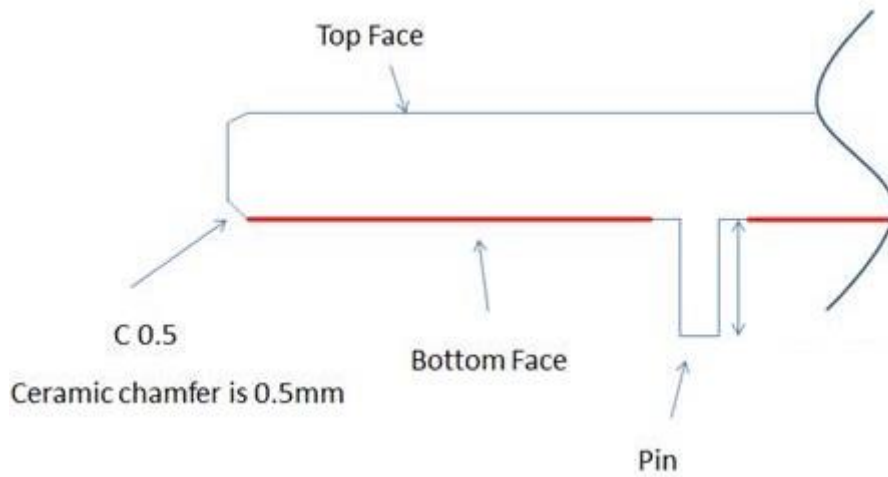
	Peak Gain (dBi)	Average Gain (dBi)
XZ Plane	4.21	-0.48
YZ Plane	3.95	-0.73

5. Mechanical Drawing-Patch (Unit: mm)



	Name	Material	Finish	QTY
1	Patch 25x25x4	Ceramic	Clear	1
1	Double sided Adhesive	NITTO5015	White Liner	1

5.1. Adhesive Thickness

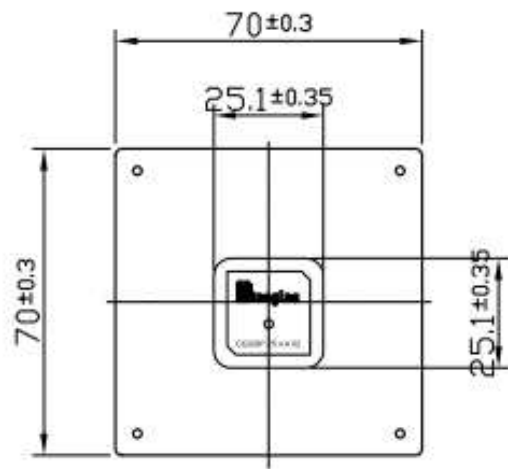


Red Line shows the adhesive without Liner – thickness 0.08~0.1mm

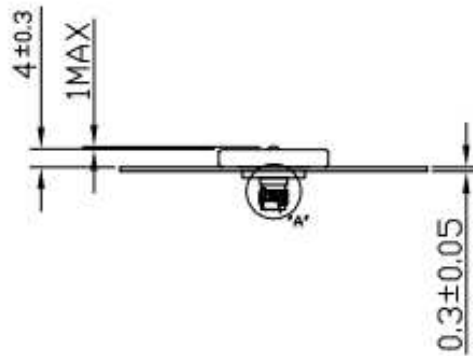
6. CGGBPD.25.A EVB

	Name	Material	Finish	QTY
1	Patch(25x25x4mm)	Ceramic	Clear	1
2	Ground-Plane(70x70x0.3mm)	Brass	Silver	1
3	SMA(F) ST	Brass	Gold	1

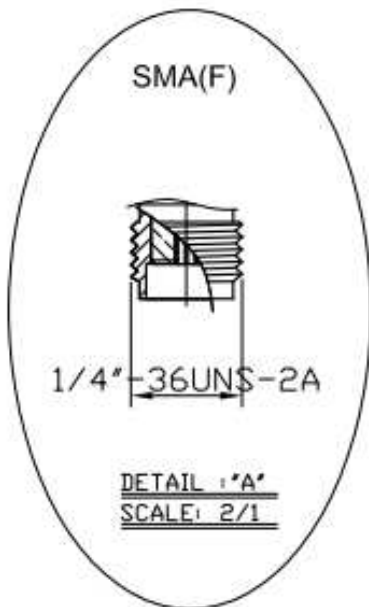
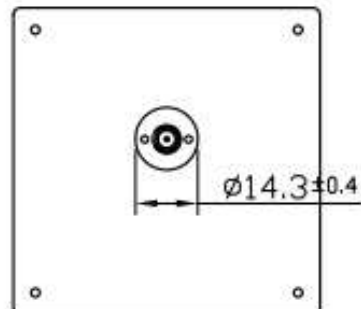
Top View



Side View



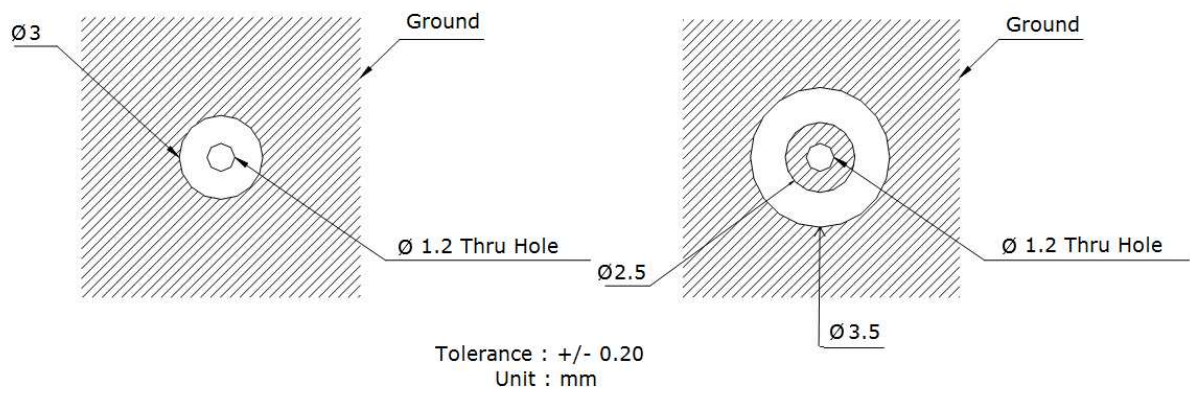
Bottom View





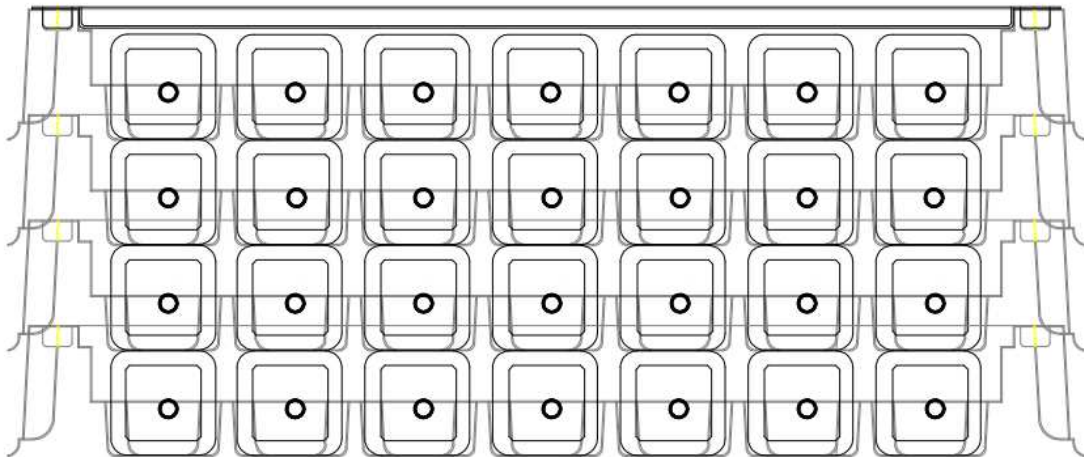
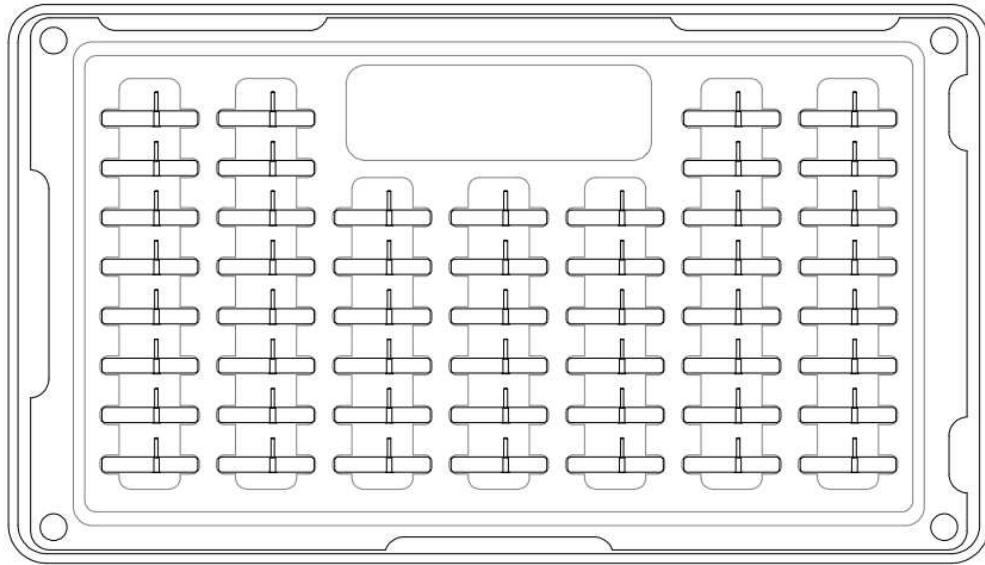
CGGBP.25.4.A.02 Patch on 70*70mm Ground Plane

7. PCB Footprint Recommendation



8. Packaging

8.1. Inner Tray

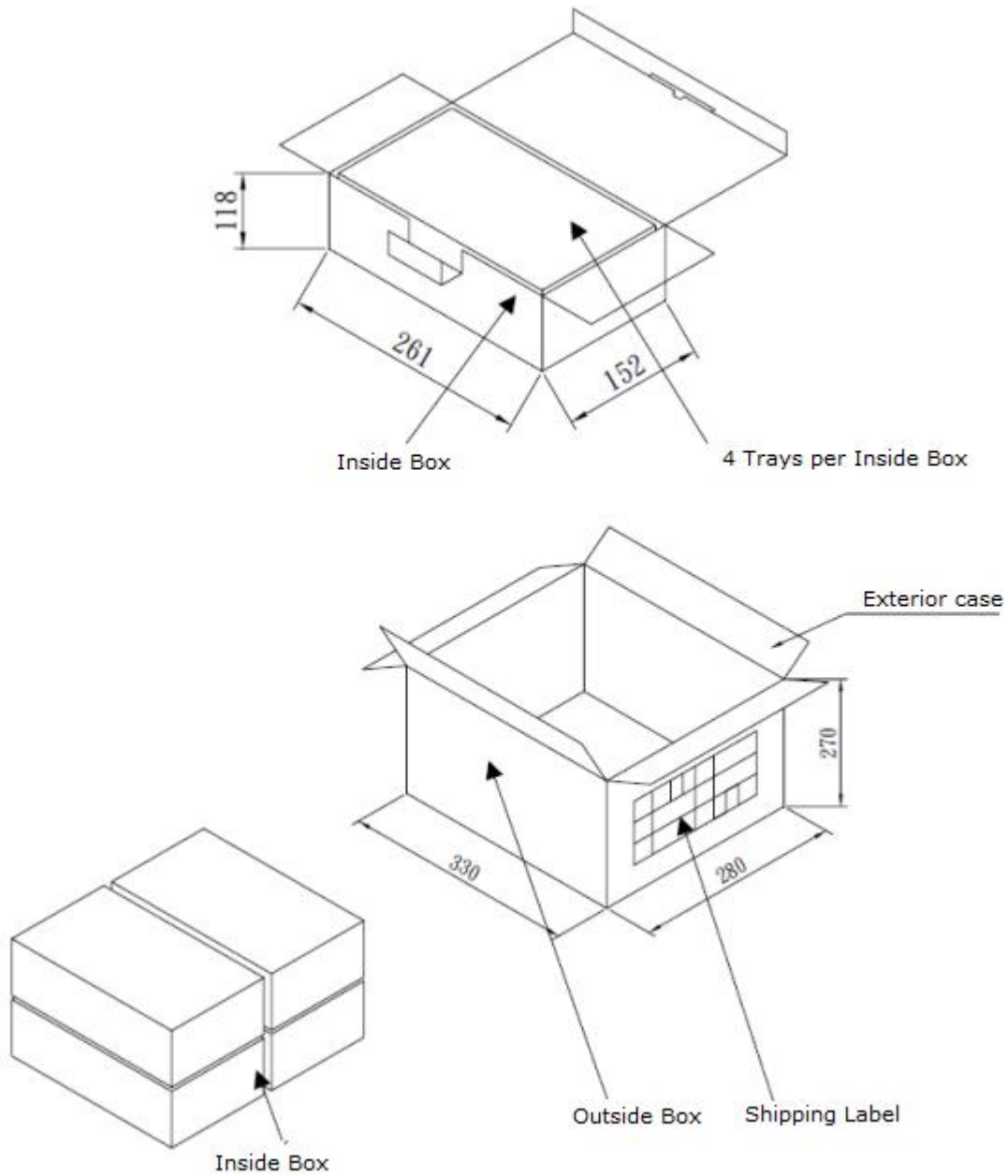


50 pieces per tray

4 Trays per Inside Box = 200

4 Inside Boxes per Outer Carton -Outer Carton contains 800 pieces

8.2. Carton



Taoglas makes no warranties based on the accuracy or completeness of the contents of this document and reserves the right to make changes to specifications and product descriptions at any time without notice. Taoglas reserves all rights to this document and the information contained herein.

Reproduction, use or disclosure to third parties without express permission is strictly prohibited.

Copyright © Taoglas Ltd.