



Chipsmall Limited consists of a professional team with an average of over 10 year of expertise in the distribution of electronic components. Based in Hongkong, we have already established firm and mutual-benefit business relationships with customers from,Europe,America and south Asia,supplying obsolete and hard-to-find components to meet their specific needs.

With the principle of “Quality Parts,Customers Priority,Honest Operation,and Considerate Service”,our business mainly focus on the distribution of electronic components. Line cards we deal with include Microchip,ALPS,ROHM,Xilinx,Pulse,ON,Everlight and Freescale. Main products comprise IC,Modules,Potentiometer,IC Socket,Relay,Connector.Our parts cover such applications as commercial,industrial, and automotives areas.

We are looking forward to setting up business relationship with you and hope to provide you with the best service and solution. Let us make a better world for our industry!



## Contact us

Tel: +86-755-8981 8866 Fax: +86-755-8427 6832

Email & Skype: info@chipsmall.com Web: www.chipsmall.com

Address: A1208, Overseas Decoration Building, #122 Zhenhua RD., Futian, Shenzhen, China



## SPECIFICATION

Part No.	: <b>CGGP.25.4.E.02</b>
Description	: GPS/GLONASS/GALILEO Dual-Band Patch Antenna 25*25*4mm
Features	: Dual-band GNSS Operation 1575.42MHz and 1602MHz Resonance 25*25*4mm Pin type Ceramic Patch Antenna Automotive TS16949 Production and Quality Approved RoHS compliant



## 1. Introduction

The CGGP.25.4.E.02 is a 25\*25\*4 mm embedded ceramic GPS/GLONASS/GALILEO Patch antenna. It features a double resonance design at GPS/GALILEO and GLONASS bands, 1575.42 MHz and 1602 MHz respectively. This antenna has been tuned for a center position on a 70mm \*70mm ground plane. Return loss is -28 dB at 1575.42MHz and -22 dB at GLONASS. Overall the antenna has greater than 60% efficiency.

For further optimization to customer specific device environments where positioning is off center or a different ground-plane size, custom tuned patch antennas can be supplied.

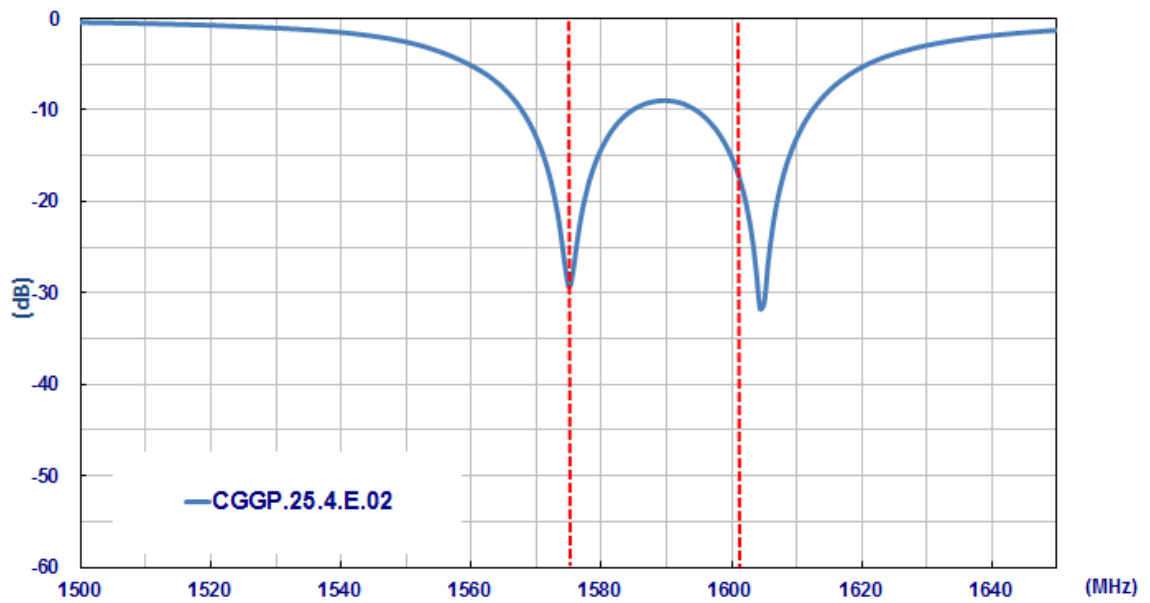
## 2. Specification

ELECTRICAL		
Application Bands	GPS/GALILEO	GLONASS
Operation Frequency	1575.42 ±1.023MHz	1602±5MHz
VSWR	1.8 max	
Efficiency	88.02%	88.63%
Peak Gain	5.39dBi	5.46dBi
Axial Ratio	~10	~9
Polarization	Linear	
Impedance	50 ohms	
MECHANICAL		
Ceramic Dimension	25 x 25 x 4 mm	
Pin Diameter	Φ 0.9 mm	
Pin Length	1.7mm	
Weight	9.5g	
ENVIRONMENTAL		
Operation Temperature	-40°C to 105°C	
Humidity	Non-condensing 65°C 95% RH	

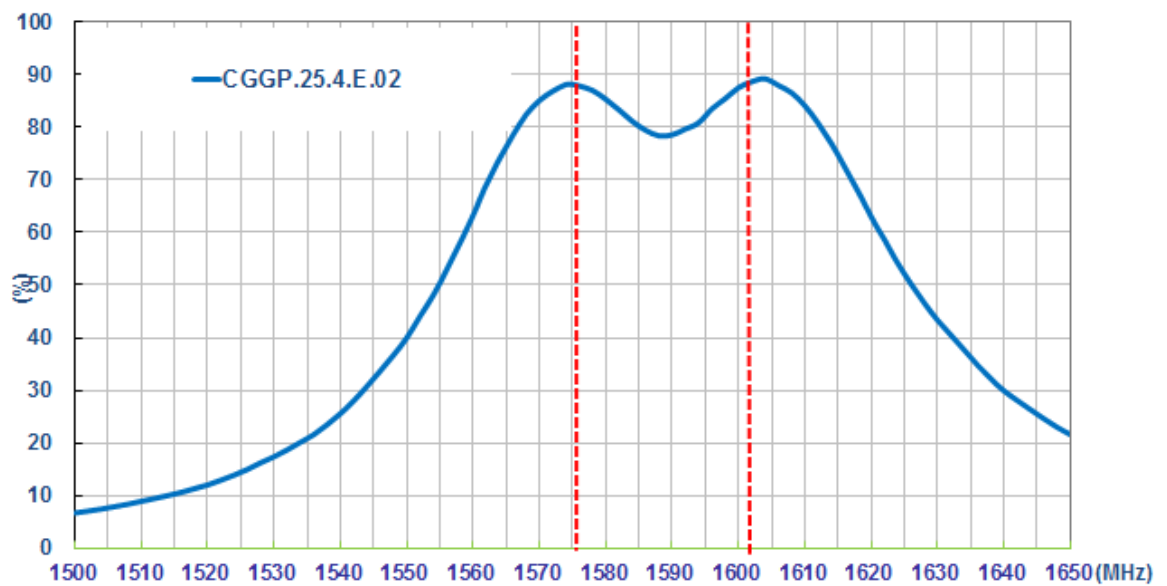
\* Antenna properties were measured with the antenna mounted on 70\*70mm Ground Plane  
Taoglas Part# CGGPD.25.H

### 3. Antenna Characteristics

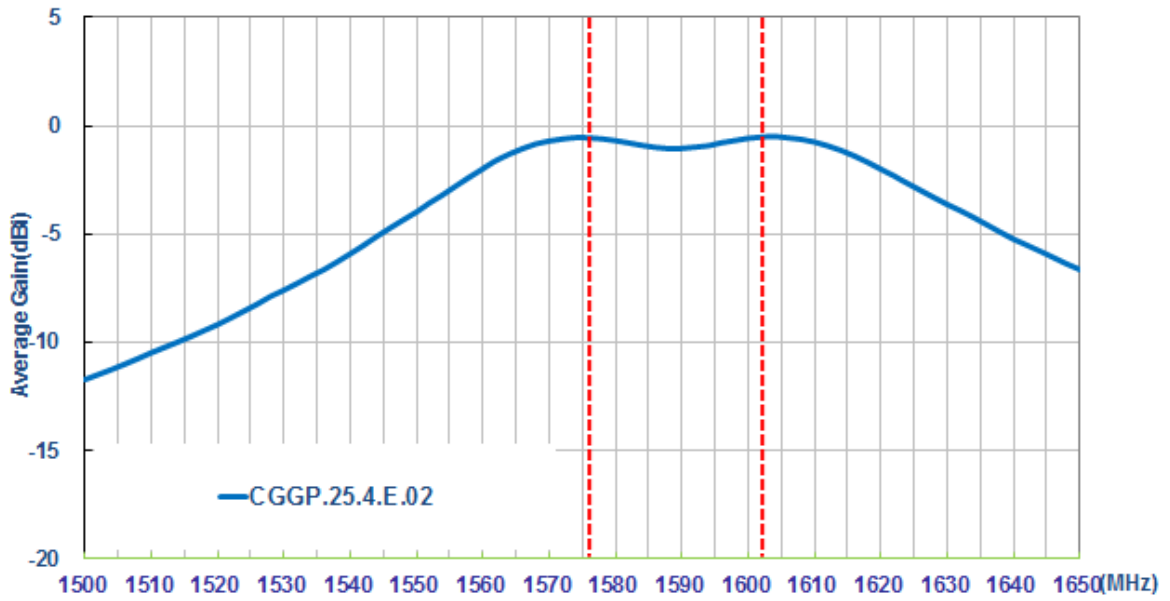
#### 3.1 Return Loss



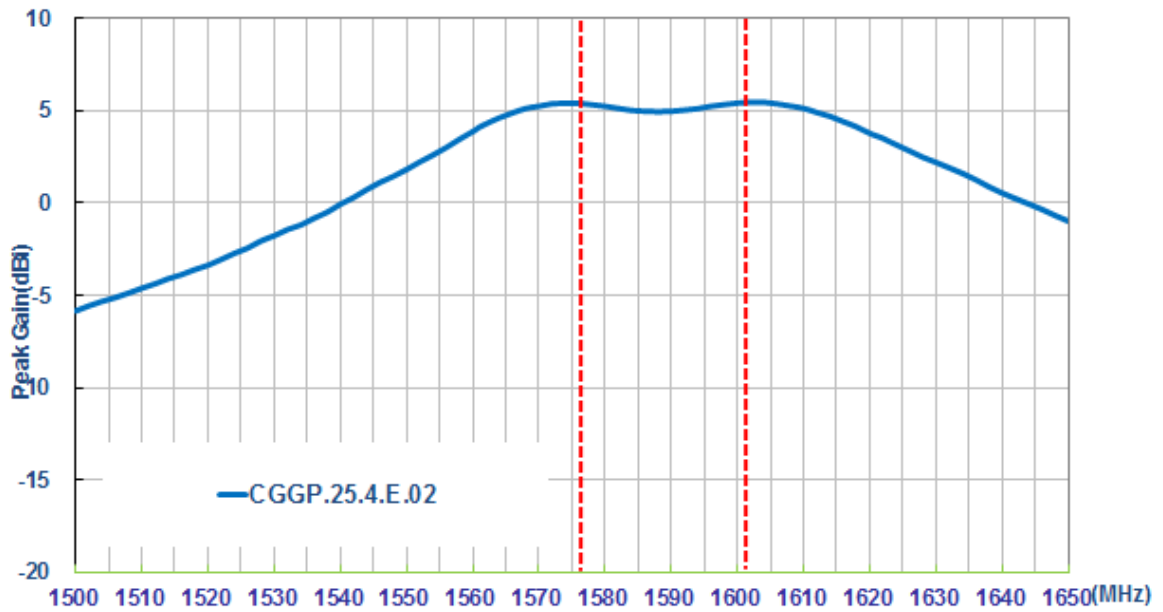
#### 3.2 Efficiency



### 3.3 Average Gain

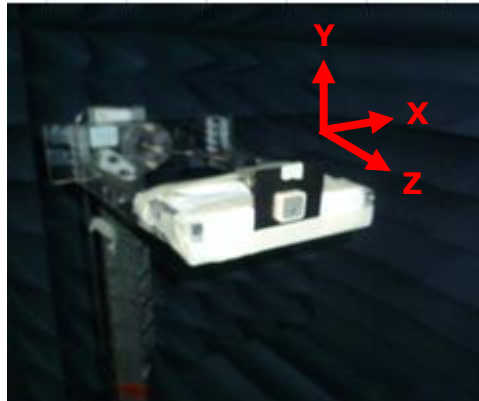


### 3.4 Peak Gain



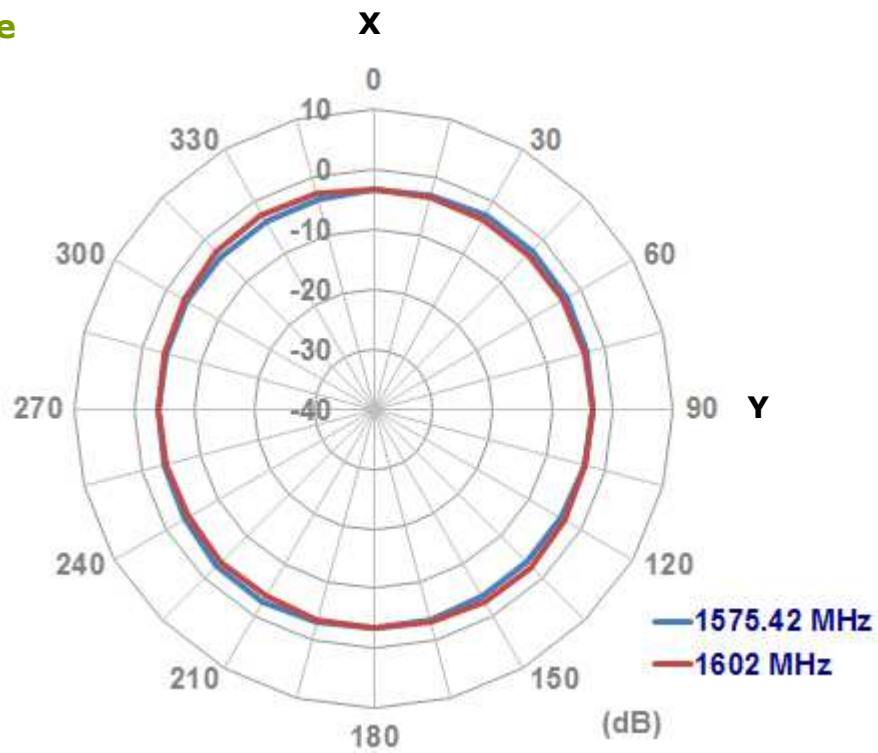
## 4. Antenna Radiation Pattern

### 4.1 Measurement Setup

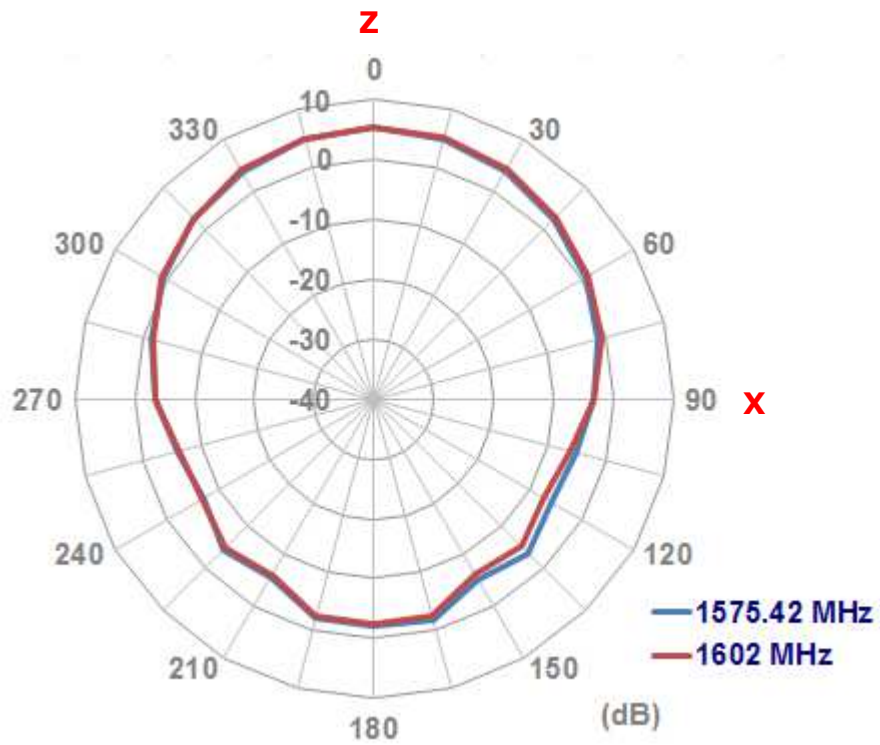


### 4.2 2D Radiation Pattern

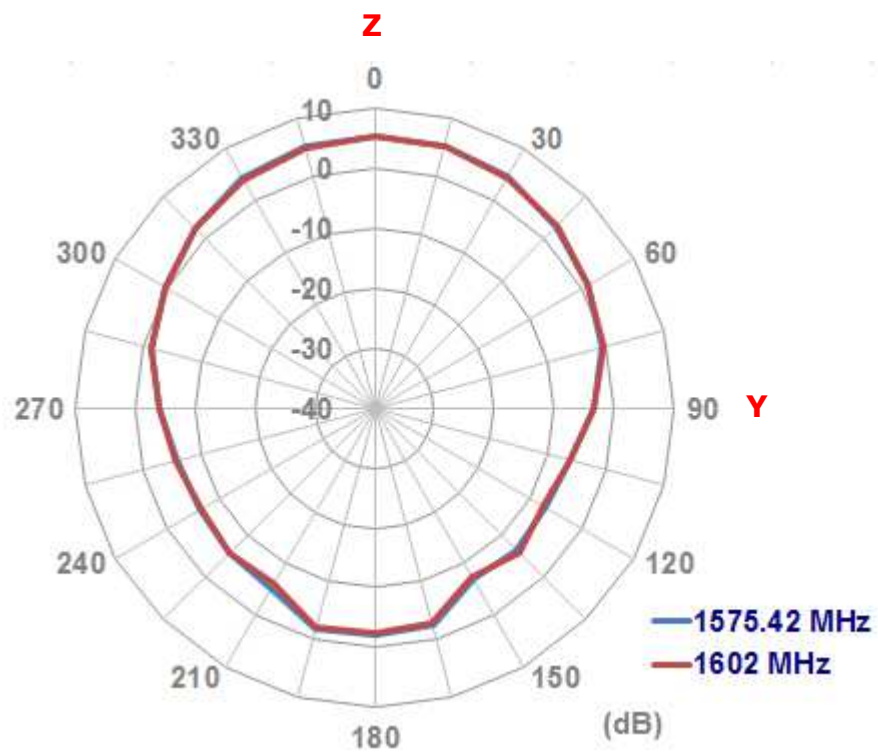
#### XY Plane



### XZ Plane

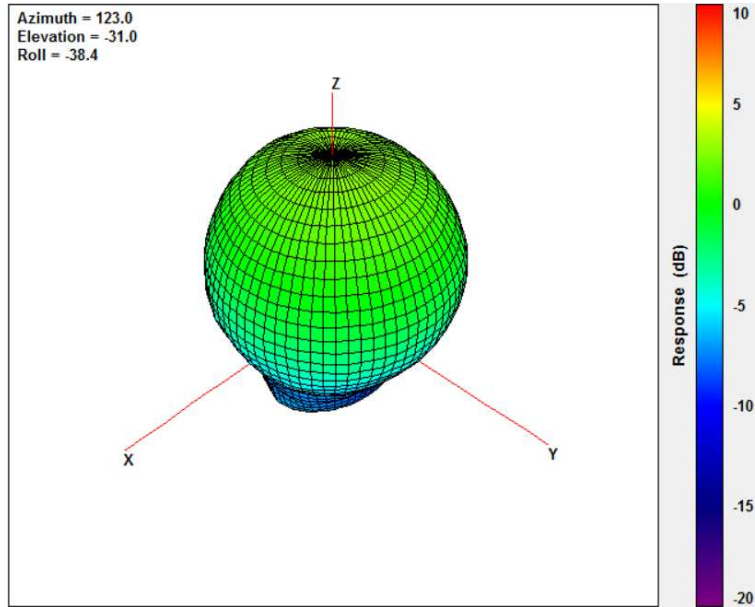


### YZ Plane

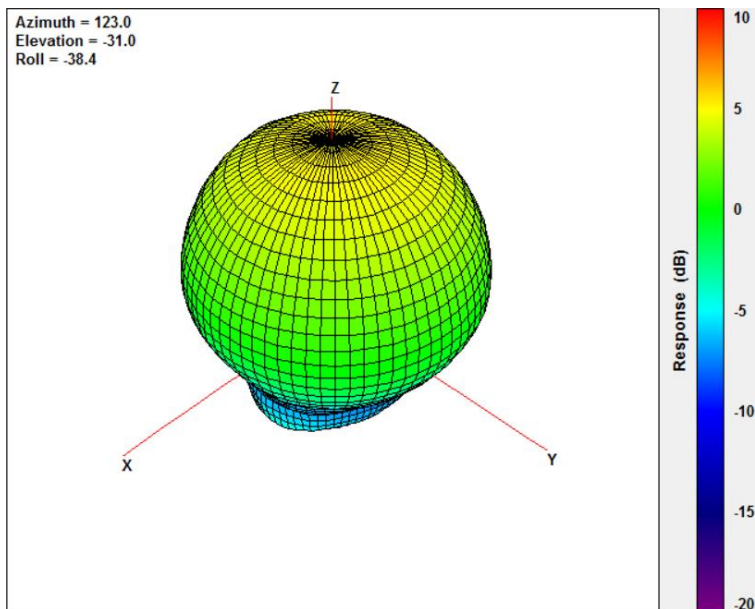




### 4.3 3D Radiation Pattern



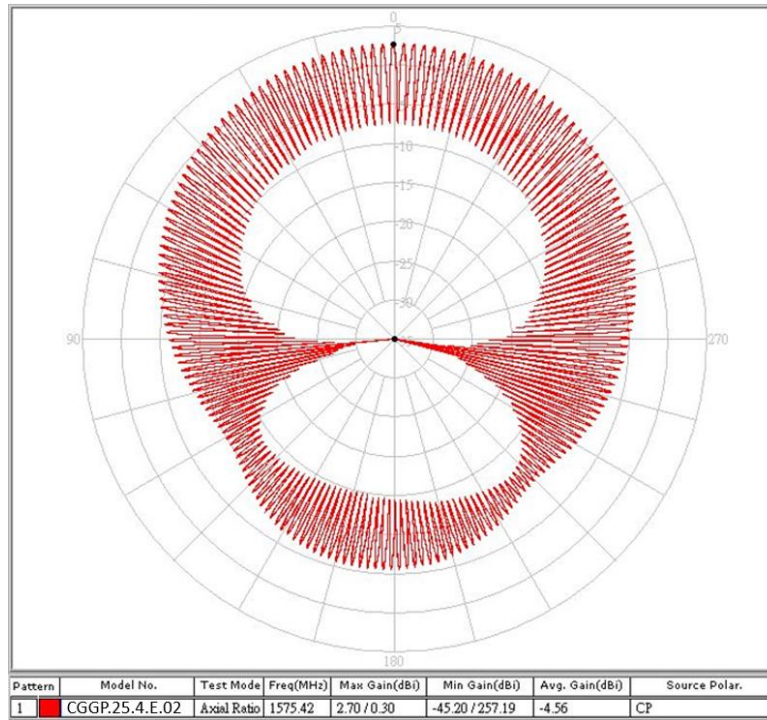
@1575.42MHz



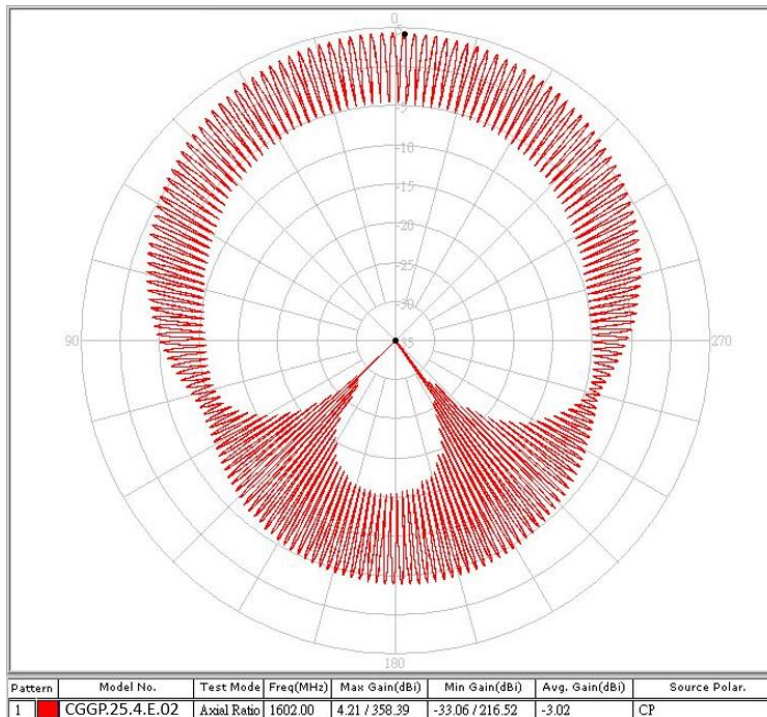
@1575.42MHz

## 5. Axial Ratio

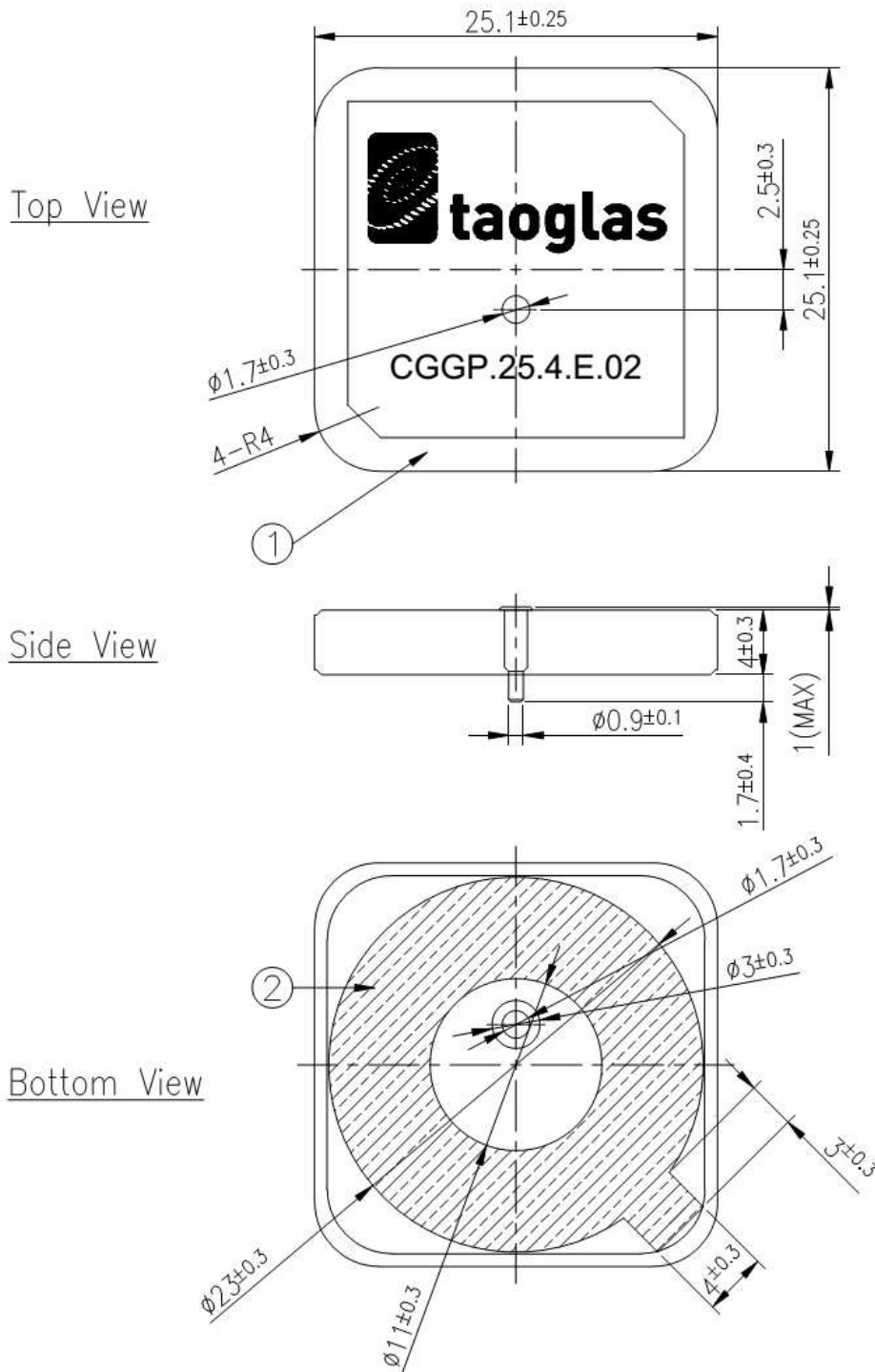
### 5.1 1575.42 MHz



### 5.2 1602 MHz



## 6. Mechanical Drawing



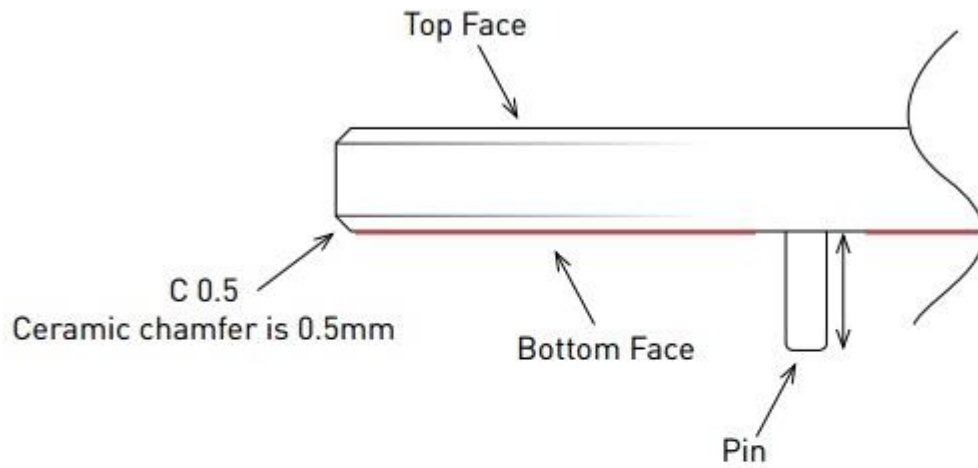
NOTE:

1. Double sided adhesive area. 

	Name	Material	Finish	QTY
1	CGGP.25 Patch 25x25x4mm	Ceramic	Clear	1
2	Double sided Adhesive	NITTO 5015	White Liner	1

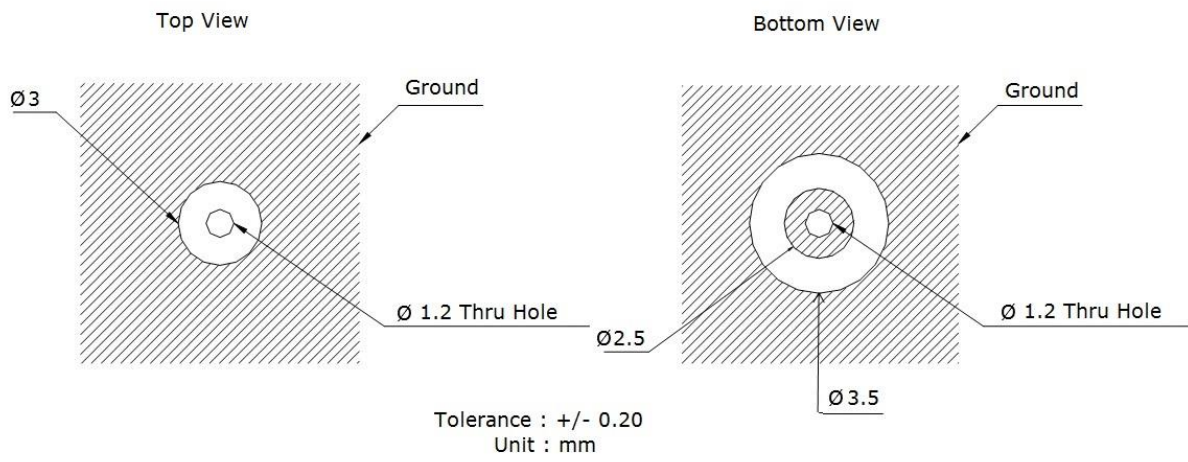
Unit:mm

## 6.1. Adhesive Thickness

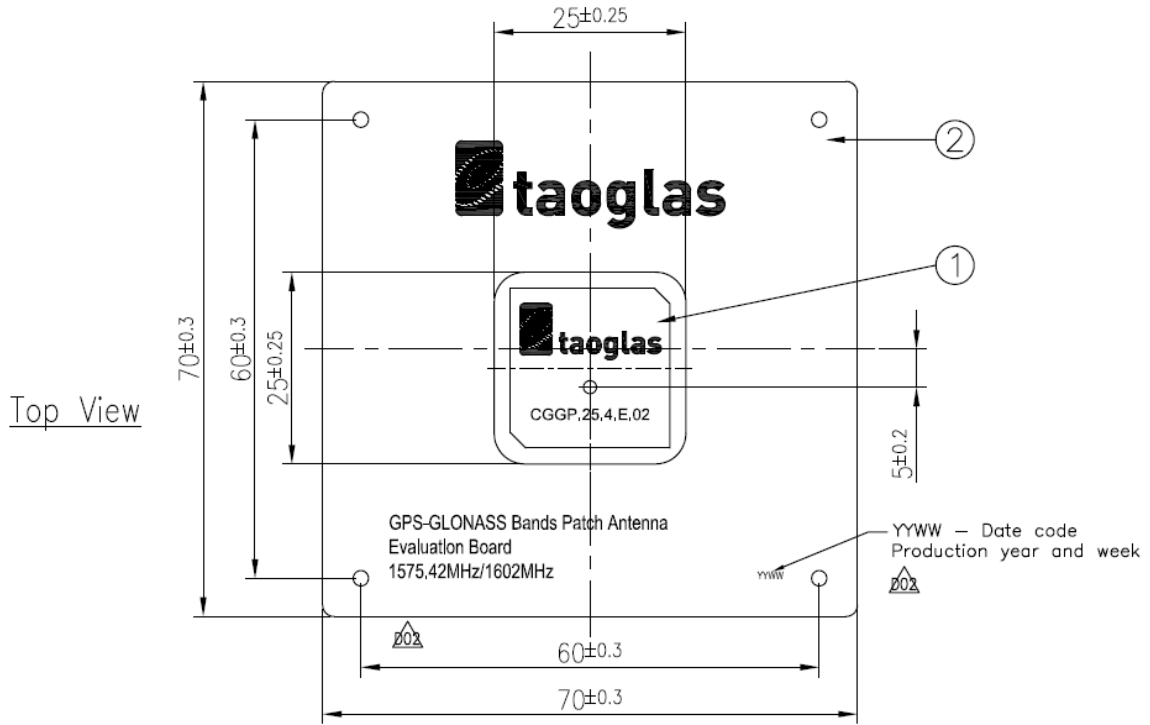


**Red Line** shows the adhesive without Liner - thickness 0.08-0.1mm

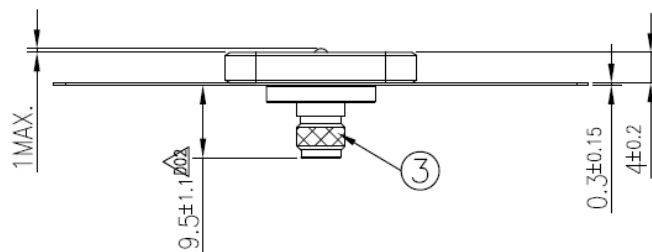
## 7. PCB Footprint Recommendation



## 8. Evaluation Board (CGGPD.25.H)

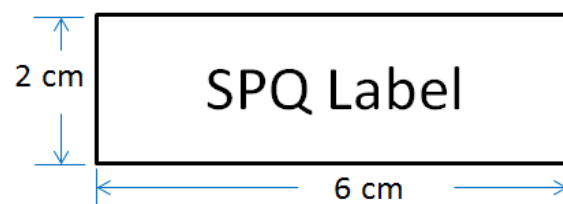
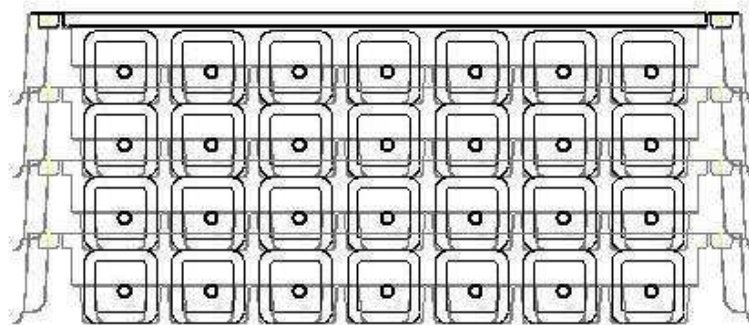
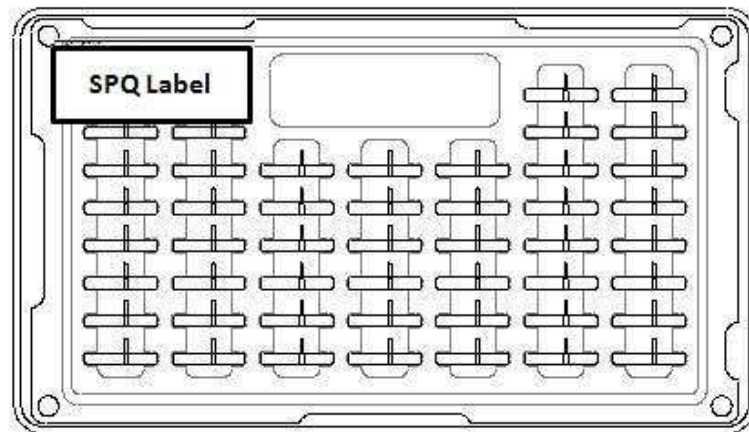
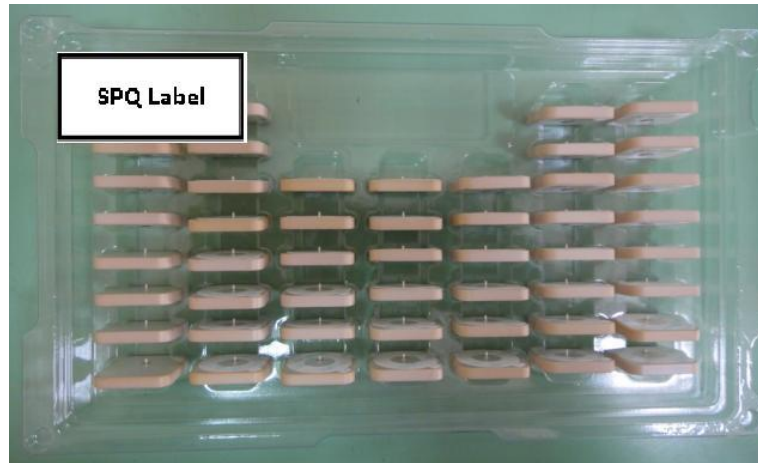


Side View

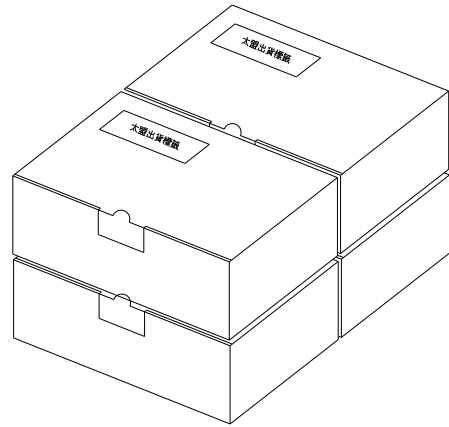
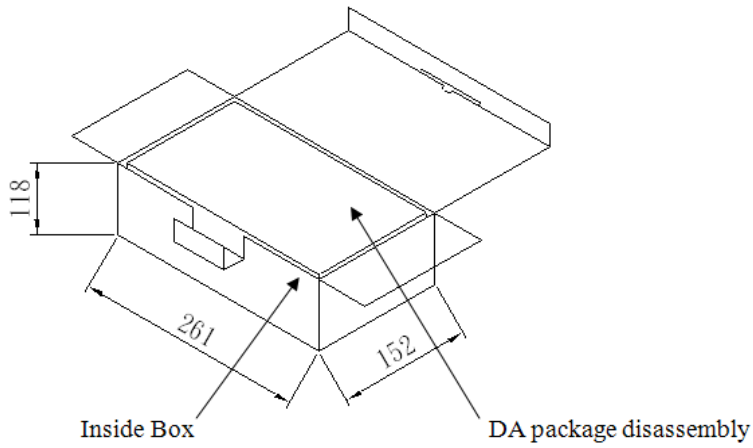


	Name	P/N	Material	Finish	QTY
1	CGGP.25 Patch 25x25x4mm	001515H040007A	Ceramic	Clear	1
2	Ground-Plane(70x70x0.3mm)	000514B000007A	Brass	Silver	1
3	SMA(F) ST	200413L000007A	Brass	Gold	1

## 9. Packaging

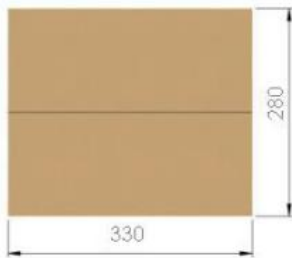


200 Units / Inside Carton (261\*152\*118mm)

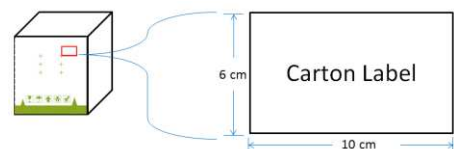
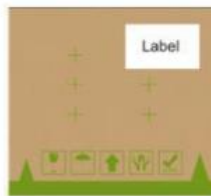


800 Units / Outside Carton (330\*280\*270mm)

Total Weight :9.3 kg



Outside Box



Taoglas makes no warranties based on the accuracy or completeness of the contents of this document and reserves the right to make changes to specifications and product descriptions at any time without notice. Taoglas reserves all rights to this document and the information contained herein.

Reproduction, use or disclosure to third parties without express permission is strictly prohibited.

Copyright © Taoglas Ltd.