



Chipsmall Limited consists of a professional team with an average of over 10 year of expertise in the distribution of electronic components. Based in Hongkong, we have already established firm and mutual-benefit business relationships with customers from,Europe,America and south Asia,supplying obsolete and hard-to-find components to meet their specific needs.

With the principle of “Quality Parts,Customers Priority,Honest Operation,and Considerate Service”,our business mainly focus on the distribution of electronic components. Line cards we deal with include Microchip,ALPS,ROHM,Xilinx,Pulse,ON,Everlight and Freescale. Main products comprise IC,Modules,Potentiometer,IC Socket,Relay,Connector.Our parts cover such applications as commercial,industrial, and automotives areas.

We are looking forward to setting up business relationship with you and hope to provide you with the best service and solution. Let us make a better world for our industry!



Contact us

Tel: +86-755-8981 8866 Fax: +86-755-8427 6832

Email & Skype: info@chipsmall.com Web: www.chipsmall.com

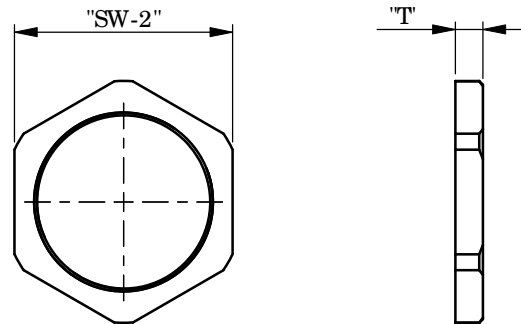
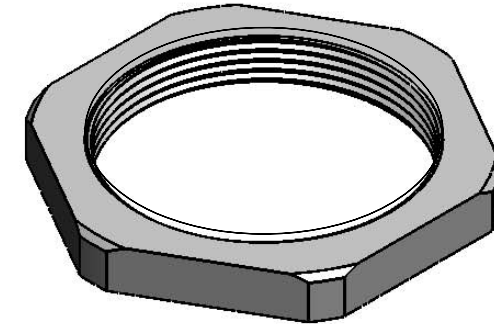
Address: A1208, Overseas Decoration Building, #122 Zhenhua RD., Futian, Shenzhen, China



ALTERNATE UNITS FOR REFERENCE ONLY

REV.	MODIFICATION.	DATE	DRN
01	Production release	19/01/10	MT
02	CO2010958	15/07/10	MT

PART NUMBER COLOUR: GREY RAL 7035 SPECIAL ORDER NAFTA	PART NUMBER COLOUR: BLACK RAL 9005 SPECIAL ORDER EU	THREAD SIZE	"SW-2" ±0.5[.020]	"T" REF
CGLN-M12	CGLN-M12-BK	M12	17[.669]	5[.197]
CGLN-M16	CGLN-M16-BK	M16	22[.866]	
CGLN-M20	CGLN-M20-BK	M20	27[1.063]	6[.236]
CGLN-M25	CGLN-M25-BK	M25	32[1.260]	
CGLN-M32	CGLN-M32-BK	M32	41[1.614]	7[.276]
CGLN-M40	CGLN-M40-BK	M40	50[1.969]	
CGLN-PG 7	CGLN-PG 7-BK	PG 7	19[.748]	5[.197]
CGLN-PG 9	CGLN-PG 9-BK	PG 9	22[.866]	
CGLN-PG 11	CGLN-PG 11-BK	PG 11	24[.945]	
CGLN-PG 13.5	CGLN-PG 13.5-BK	PG 13.5	27[1.063]	6[.236]
CGLN-PG 16	CGLN-PG 16-BK	PG 16	30[1.181]	
CGLN-PG 21	CGLN-PG 21-BK	PG 21	36[1.417]	7[.276]
CGLN-PG 29	CGLN-PG 29-BK	PG 29	46[1.811]	
CGLN-PG 36	CGLN-PG 36-BK	PG 36	60[2.362]	8[.315]
*CGLN-NPT3/8	CGLN-NPT3/8-BK	NPT3/8	22[.866]	5[.197]
*CGLN-NPT1/2	CGLN-NPT1/2-BK	NPT1/2	27[1.063]	6[.236]
*CGLN-NPT3/4	CGLN-NPT3/4-BK	NPT3/4	36[1.417]	7[.276]
*CGLN-NPT1	CGLN-NPT1-BK	NPT1	42[1.654]	
*SPECIAL ORDER EU REGION				



NOTES:
TEMPERATURE RANGE -20 °C TO +100 °C

INFORMATION CONTAINED IN THIS DOCUMENT IS CONFIDENTIAL TO RICHCO INTERNATIONAL Co., Ltd. AND MAY NOT BE DISCLOSED OR REPRODUCED IN WHOLE OR PART WITHOUT THEIR WRITTEN CONSENT

RICHCO, INC. WWW.RICHCO-INC.COM		ALL DIMENSIONS IN mm [inch] GENERAL TOLERANCES UNLESS OTHERWISE STATED 1 DECIMAL PLACE ± 2 DECIMAL PLACES ± ANGULAR ±1°	THIRD ANGLE
MATERIAL: NYLON 6 GF30 (RMS-044)		COLOUR: SEE TABLE	
DESCRIPTION: CABLE GLAND LOCKNUTS		PART No.: CGLN-XX	
DRG No.: 09-112	NPR No.: EU09-0034	SHEET SIZE A4	
DRN MT	DATE 09/04/09	CHKD TC	DATE 08/10/09
SCALE NTS	SHEET No. 1 OF 1		