



Chipsmall Limited consists of a professional team with an average of over 10 year of expertise in the distribution of electronic components. Based in Hongkong, we have already established firm and mutual-benefit business relationships with customers from,Europe,America and south Asia,supplying obsolete and hard-to-find components to meet their specific needs.

With the principle of “Quality Parts,Customers Priority,Honest Operation,and Considerate Service”,our business mainly focus on the distribution of electronic components. Line cards we deal with include Microchip,ALPS,ROHM,Xilinx,Pulse,ON,Everlight and Freescale. Main products comprise IC,Modules,Potentiometer,IC Socket,Relay,Connector.Our parts cover such applications as commercial,industrial, and automotives areas.

We are looking forward to setting up business relationship with you and hope to provide you with the best service and solution. Let us make a better world for our industry!



Contact us

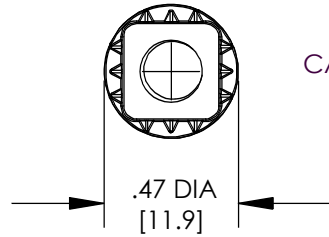
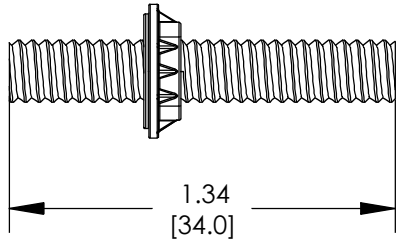
Tel: +86-755-8981 8866 Fax: +86-755-8427 6832

Email & Skype: info@chipsmall.com Web: www.chipsmall.com

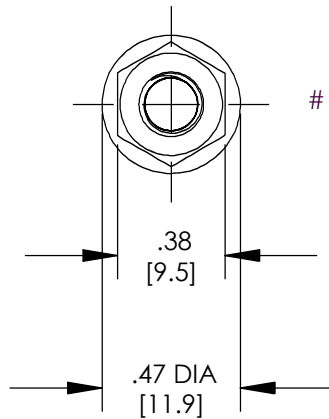
Address: A1208, Overseas Decoration Building, #122 Zhenhua RD., Futian, Shenzhen, China



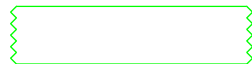
THIS COPY IS PROVIDED ON A RESTRICTED BASIS AND IS NOT TO BE USED IN ANY WAY DETRIMENTAL TO THE INTERESTS OF PANDUIT CORP.



CAGE NUT BONDING STUD (QTY. 25)



#12-24 BONDING NUT (QTY. 50)



5cc TUBE ANTI-OXIDANT PASTE (QTY. 1)

NOTES:

1. CAGE NUT BONDING STUD KIT
PART NUMBER: CGNBSK
2. PACKAGING: 4 KITS PER BOX
3. DIMENSIONS IN PARENTHESIS ARE
MILLIMETERS.
4. ALL COMPONENTS THAT MAKE UP THIS KIT
ARE RoHS COMPLIANT.

C41698_00

PANDUIT CORP. TINLEY PARK, ILLINOIS

CAGE NUT BONDING STUD KIT
(CGNBSK)
CUSTOMER DRAWING

00	2/07	JHNU	JMAR	DRAWING RELEASED	PC00674															
REV	DATE	BY	CHK	DESCRIPTION	ECN	PM	CUST	DRAWN BY	CHK'D	SCALE	DRAWING NO / CAD FILE									
								JHNU		NONE	C41698									