



Chipsmall Limited consists of a professional team with an average of over 10 year of expertise in the distribution of electronic components. Based in Hongkong, we have already established firm and mutual-benefit business relationships with customers from,Europe,America and south Asia,supplying obsolete and hard-to-find components to meet their specific needs.

With the principle of “Quality Parts,Customers Priority,Honest Operation,and Considerate Service”,our business mainly focus on the distribution of electronic components. Line cards we deal with include Microchip,ALPS,ROHM,Xilinx,Pulse,ON,Everlight and Freescale. Main products comprise IC,Modules,Potentiometer,IC Socket,Relay,Connector.Our parts cover such applications as commercial,industrial, and automotives areas.

We are looking forward to setting up business relationship with you and hope to provide you with the best service and solution. Let us make a better world for our industry!



## Contact us

Tel: +86-755-8981 8866 Fax: +86-755-8427 6832

Email & Skype: info@chipsmall.com Web: www.chipsmall.com

Address: A1208, Overseas Decoration Building, #122 Zhenhua RD., Futian, Shenzhen, China



# Mini overload relays

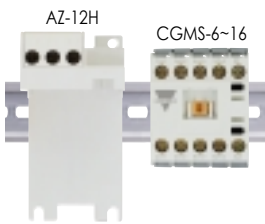
## Bimetallic style



CGT-12M

### Description

- Direct mount on the mini contactors with screw clamp connection.  
contactor types : CGMS-6A(D), CGMS-9A(D),  
CGMS-12A(D), CGMS-16A(D)
- DIN rail or screw mountable with the optional base AZ-12H
- Small physical size : 44 mm wide
- 1NO+1NC trip contacts
- Trip class 10A according to IEC60947-4-1
- Differential current/Phase failure protection : CGT types
- Non-differential CGTH types are available for the economic solution
- Ambient compensated -5 to 40 °C
- Manual/Automatic reset convertible.
- Remote reset is optional
- Trip free designed



Separate mount

Direct mount



CGT-12M

### Catalog No.

Setting ranges(A)	Differential type	Non-differential type	
	3-heater	3-heater	2-heater
0.1 - 0.16	CGT-12M • 0.16	CGTH-12MH/3 • 0.16	CGTH-12MH • 0.16
0.16 - 0.25	CGT-12M • 0.25	CGTH-12MH/3 • 0.25	CGTH-12MH • 0.25
0.25 - 0.4	CGT-12M • 0.4	CGTH-12MH/3 • 0.4	CGTH-12MH • 0.4
0.4 - 0.63	CGT-12M • 0.63	CGTH-12MH/3 • 0.63	CGTH-12MH • 0.63
0.63 - 1	CGT-12M • 1	CGTH-12MH/3 • 1	CGTH-12MH • 1
1 - 1.6	CGT-12M • 1.6	CGTH-12MH/3 • 1.6	CGTH-12MH • 1.6
1.6 - 2.5	CGT-12M • 2.5	CGTH-12MH/3 • 2.5	CGTH-12MH • 2.5
2.5 - 4	CGT-12M • 4	CGTH-12MH/3 • 4	CGTH-12MH • 4
4 - 6	CGT-12M • 6	CGTH-12MH/3 • 6	CGTH-12MH • 6
5 - 8	CGT-12M • 8	CGTH-12MH/3 • 8	CGTH-12MH • 8
6 - 9	CGT-12M • 9	CGTH-12MH/3 • 9	CGTH-12MH • 9
7 - 10	CGT-12M • 10	CGTH-12MH/3 • 10	CGTH-12MH • 10
9 - 13	CGT-12M • 13	CGTH-12MH/3 • 13	CGTH-12MH • 13
12 - 16	CGT-12M • 16	CGTH-12MH/3 • 16	CGTH-12MH • 16

### Auxiliary (Trip) contact rating

AC15(11) duty			DC13(11) duty	
110V	220V	550V	110V	220V
2.5(0.3)A	2(0.3)A	1(0.3)A	0.28A	0.14A

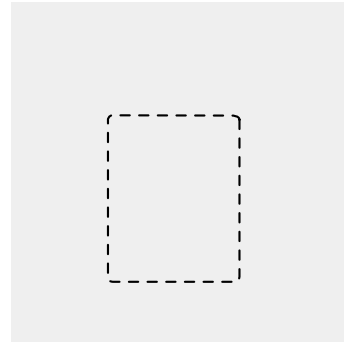
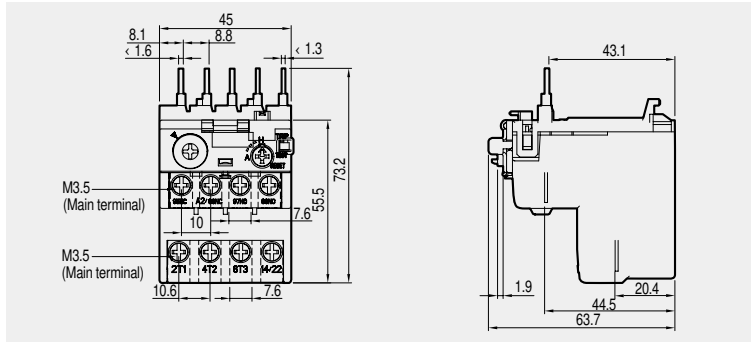
Note) Values of ( ) are the ratings of NO contact under auto reset mode.

### For more information

- Drawings → page 37
- Mini Contactors → page 18~26
- Starters → page 32
- Separate mounting unit → page 33
- Operating curves → page 39

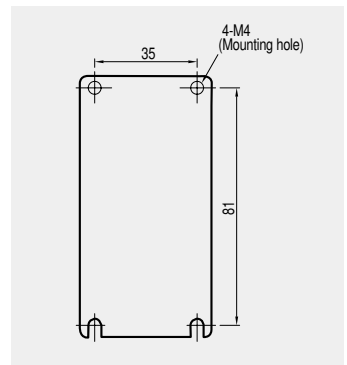
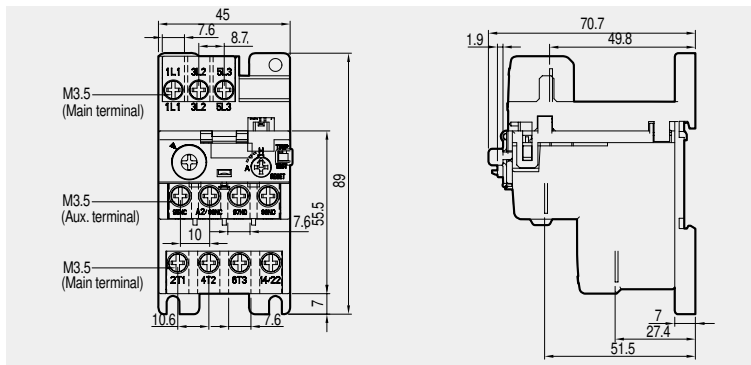


**CGT(H)-12M**



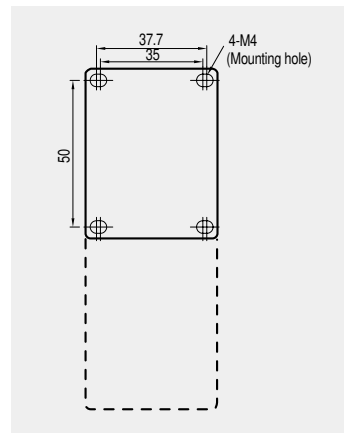
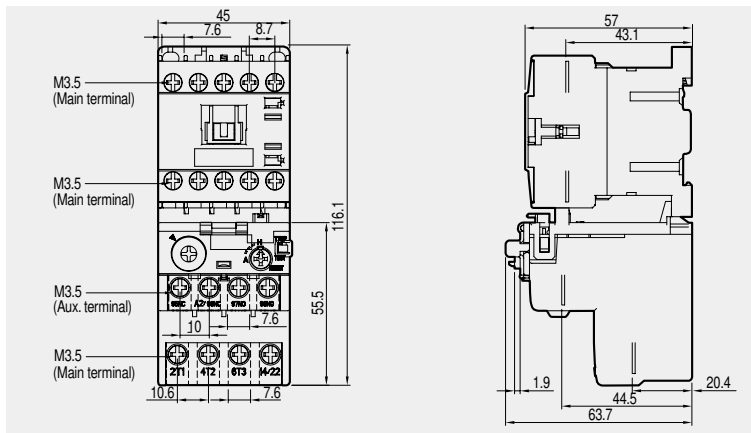
0.1kg

**CGT(H)-12MH**



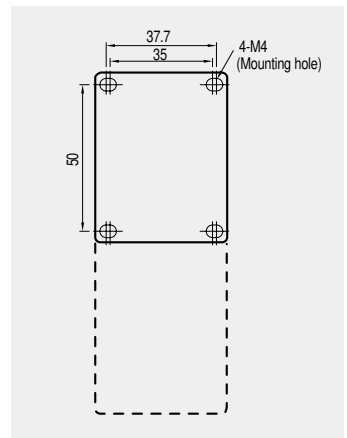
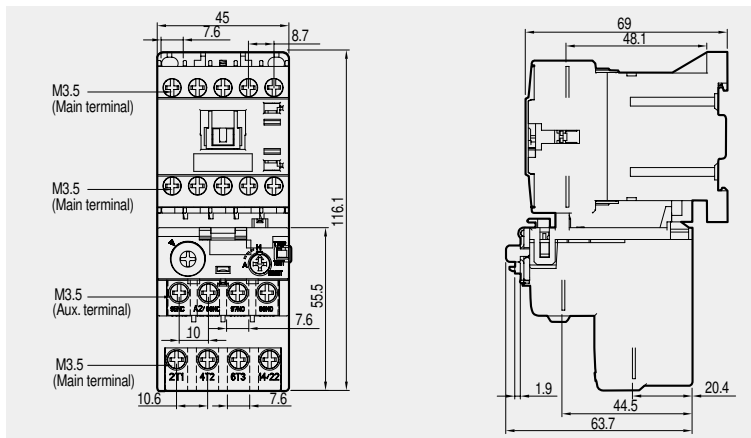
0.4kg

**CGMSS-6,9,  
12,16A**



0.26kg

**CGMSS-6,9,  
12,16D**

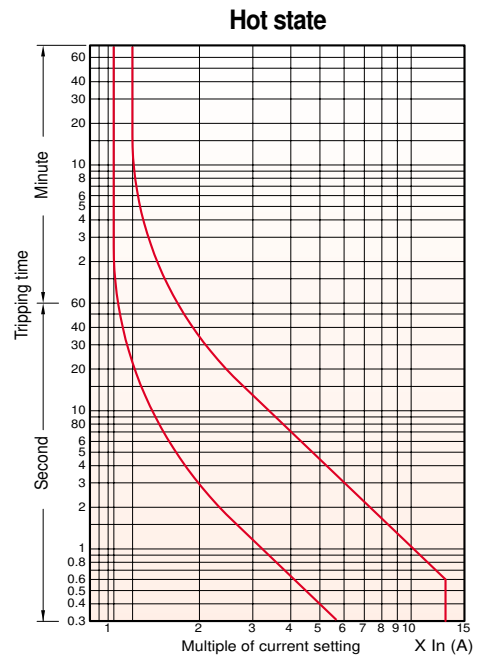
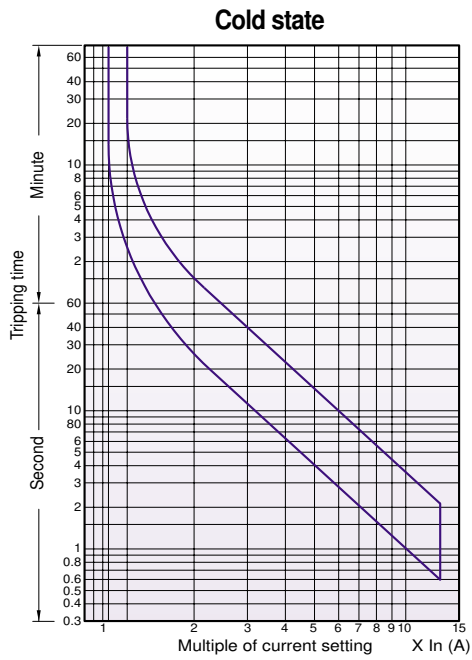


0.39kg

## Overload relay curves

Non-Differential type

CGTH-12M



## Differential type

CGT-12M

