



Chipsmall Limited consists of a professional team with an average of over 10 year of expertise in the distribution of electronic components. Based in Hongkong, we have already established firm and mutual-benefit business relationships with customers from,Europe,America and south Asia,supplying obsolete and hard-to-find components to meet their specific needs.

With the principle of “Quality Parts,Customers Priority,Honest Operation,and Considerate Service”,our business mainly focus on the distribution of electronic components. Line cards we deal with include Microchip,ALPS,ROHM,Xilinx,Pulse,ON,Everlight and Freescale. Main products comprise IC,Modules,Potentiometer,IC Socket,Relay,Connector.Our parts cover such applications as commercial,industrial, and automotives areas.

We are looking forward to setting up business relationship with you and hope to provide you with the best service and solution. Let us make a better world for our industry!



Contact us

Tel: +86-755-8981 8866 Fax: +86-755-8427 6832

Email & Skype: info@chipsmall.com Web: www.chipsmall.com

Address: A1208, Overseas Decoration Building, #122 Zhenhua RD., Futian, Shenzhen, China

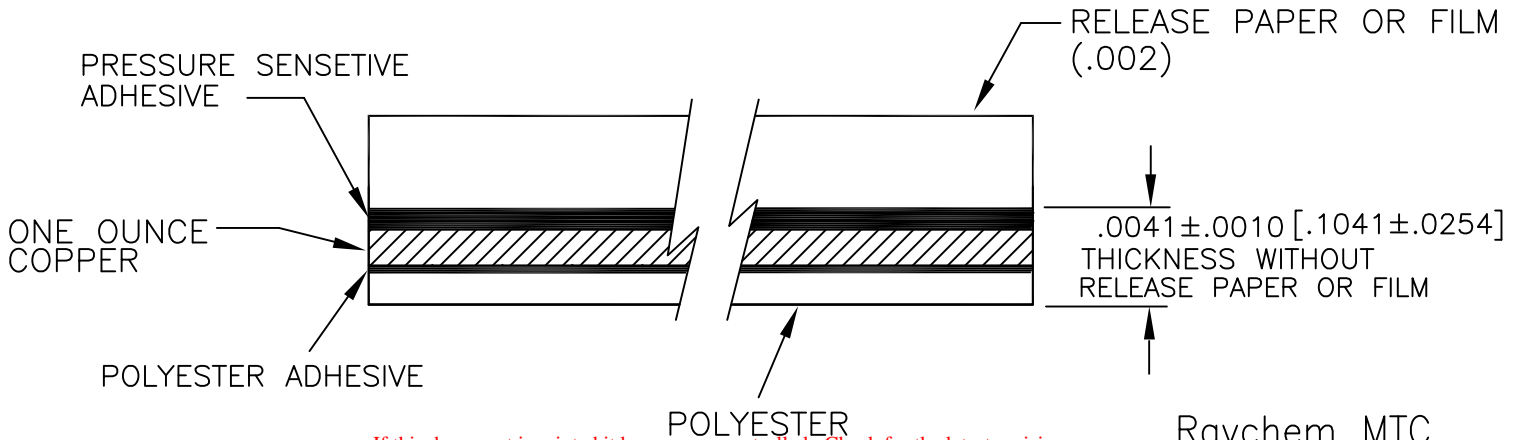
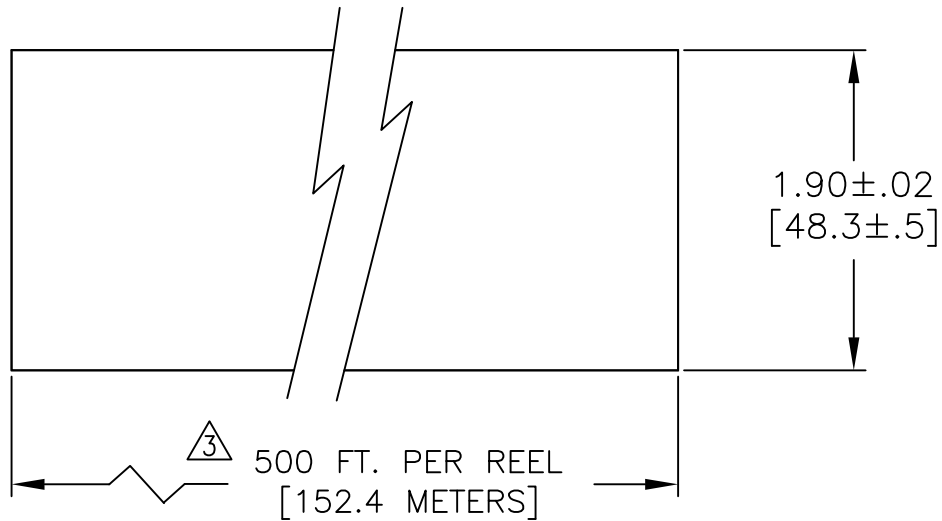


THIS DRAWING AND THE INFORMATION SET FORTH HERE-ON ARE THE PROPERTY OF TYCO ELECTRONICS, AND ARE TO BE HELD IN TRUST AND CONFIDENCE. PUBLICATION, DUPLICATION, DISCLOSURE, OR USE FOR ANY PURPOSE NOT EXPRESSLY AUTHORIZED IN WRITING BY TYCO ELECTRONICS IS PROHIBITED.

REVISIONS			
LTR	DESCRIPTION	DATE	APPROVED
F	PER ECO-07-020415	August/29/07	M.HIGGY
G	PER ECO-11-013261	Jun/27/2011	M.HIGGY

NOTES:

- SHIELD TO BE SUPPLIED ON A REEL.
- 500 FEET PER REEL.
- LENGTH TOLERANCE IS $\pm 2\%$
- WHEN INSTALLED IN DIRECT CONTACT WITH FLAT CONDUCTOR CABLE, THIS SHIELD MEETS THE REQUIREMENTS OF RAYCHEM SPECIFICATION C-6119, SURFACE TRANSFER IMPEDANCE LEVEL IS APPLICATION DEPENDENT.
- SHIELD WITHOUT RELEASE PAPER, WEIGHTS: 7.1g (0.0156 Lbs) MAXIMUM PER FEET.



If this document is printed it becomes uncontrolled. Check for the latest revision

Raychem MTC
CUSTOMER DRAWING

© 2007-2011 Tyco Electronics. All rights reserved.

UNLESS OTHERWISE SPECIFIED DIMENSIONS ARE IN INCHES. METRIC DIMENSIONS ARE IN BRACKETS.

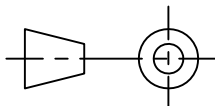
DECIMALS
.XXX ± .010 [— mm]
.XX ± .03 [— mm]

ANGLES
.X — ± —

WEIGHT: $\triangle 5$

DRAWN	ZS.O.	12/20/99
APPROVED		
APPROVED	M.HIGGY	12/30/99
CAD NAME	CHA-0033	
RPN:	022491-000	

THIRD ANGLE PROJECTION



TITLE
1.900 INCH WIDE
SHIELD FOR FLAT CABLE,
ADHESIVE ONE SIDE

SIZE	CAGE CODE:	DWG. NO.	REV
A	06090	CHA-0033	G

SCALE: NONE

SHEET 1 OF 1