



Chipsmall Limited consists of a professional team with an average of over 10 year of expertise in the distribution of electronic components. Based in Hongkong, we have already established firm and mutual-benefit business relationships with customers from,Europe,America and south Asia,supplying obsolete and hard-to-find components to meet their specific needs.

With the principle of “Quality Parts,Customers Priority,Honest Operation,and Considerate Service”,our business mainly focus on the distribution of electronic components. Line cards we deal with include Microchip,ALPS,ROHM,Xilinx,Pulse,ON,Everlight and Freescale. Main products comprise IC,Modules,Potentiometer,IC Socket,Relay,Connector.Our parts cover such applications as commercial,industrial, and automotives areas.

We are looking forward to setting up business relationship with you and hope to provide you with the best service and solution. Let us make a better world for our industry!



## Contact us

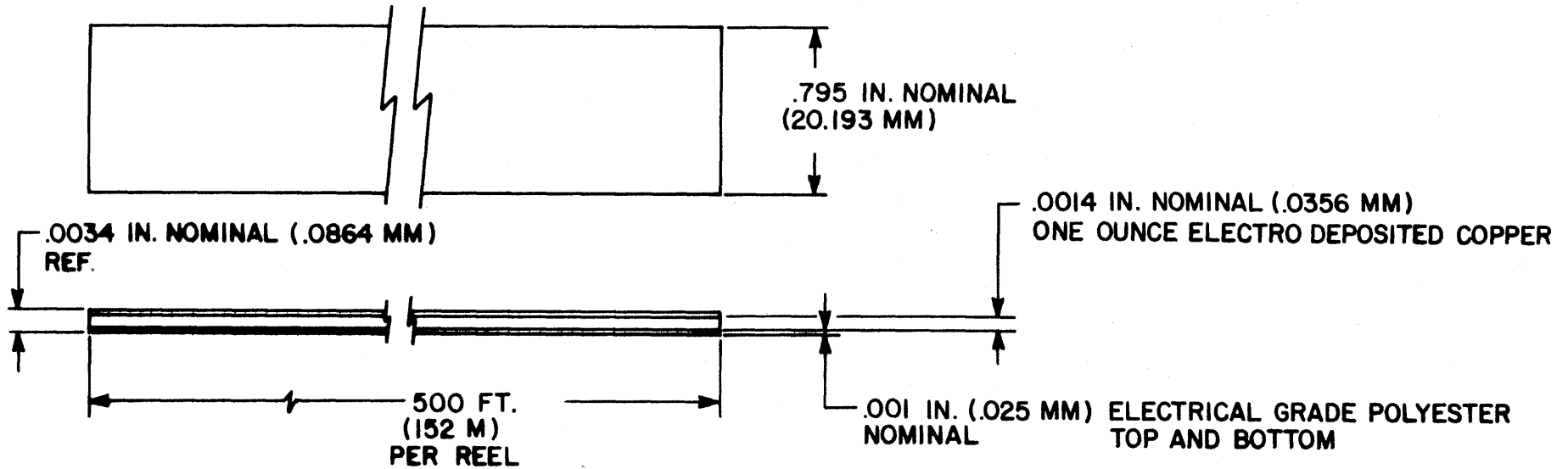
Tel: +86-755-8981 8866 Fax: +86-755-8427 6832

Email & Skype: info@chipsmall.com Web: www.chipsmall.com

Address: A1208, Overseas Decoration Building, #122 Zhenhua RD., Futian, Shenzhen, China



REVISIONS				
ZONE	LTR	DESCRIPTION	DATE	APPROVED
	N/C	INITIAL RELEASE, ECN # 4824	4/26/84	M. Higgs



NOTES:

1. SHIELD TO BE SUPPLIED ON A REEL.
2. LENGTH TOLERANCE IS  $\pm 10\%$

**SPECIFICATION CONTROL DRAWING**

© Raychem Corporation 1984

DRAWN	WELCH	7/18/84	<b>Raychem</b>	RAYCHEM CORPORATION 300 CONSTITUTION DRIVE MENLO PARK, CALIFORNIA 94025	
CHECKED	M. Higgs	4/19/84			
APPROVED	M. Higgs	4/19/84	TITLE SHIELD FOR FLAT CABLE, COPPER-POLYESTER LAMINATE, 2 SIDES, .795 NOMINAL WIDTH		
APPROVED			SIZE <b>B</b>	CODE IDENT	DWG. NO.
APPROVED				NO. 06090	<b>CHA-0062</b>
			WEIGHT		SHEET 1 OF 1

If this document is printed it becomes uncontrolled.  
Check with the web for latest revision.

DO NOT SCALE THIS DRAWING