



Chipsmall Limited consists of a professional team with an average of over 10 year of expertise in the distribution of electronic components. Based in Hongkong, we have already established firm and mutual-benefit business relationships with customers from,Europe,America and south Asia,supplying obsolete and hard-to-find components to meet their specific needs.

With the principle of “Quality Parts,Customers Priority,Honest Operation,and Considerate Service”,our business mainly focus on the distribution of electronic components. Line cards we deal with include Microchip,ALPS,ROHM,Xilinx,Pulse,ON,Everlight and Freescale. Main products comprise IC,Modules,Potentiometer,IC Socket,Relay,Connector.Our parts cover such applications as commercial,industrial, and automotives areas.

We are looking forward to setting up business relationship with you and hope to provide you with the best service and solution. Let us make a better world for our industry!



## Contact us

Tel: +86-755-8981 8866 Fax: +86-755-8427 6832

Email & Skype: info@chipsmall.com Web: www.chipsmall.com

Address: A1208, Overseas Decoration Building, #122 Zhenhua RD., Futian, Shenzhen, China



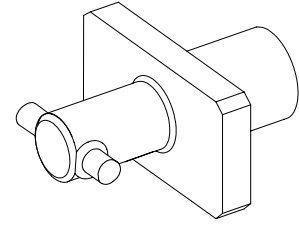


REVISIONS

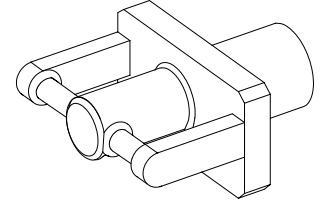
LTR	DESCRIPTION	DATE	APPROVED
A	REVISED PER ECN T-24365	28FEB00	T. SEATON

NOTES:

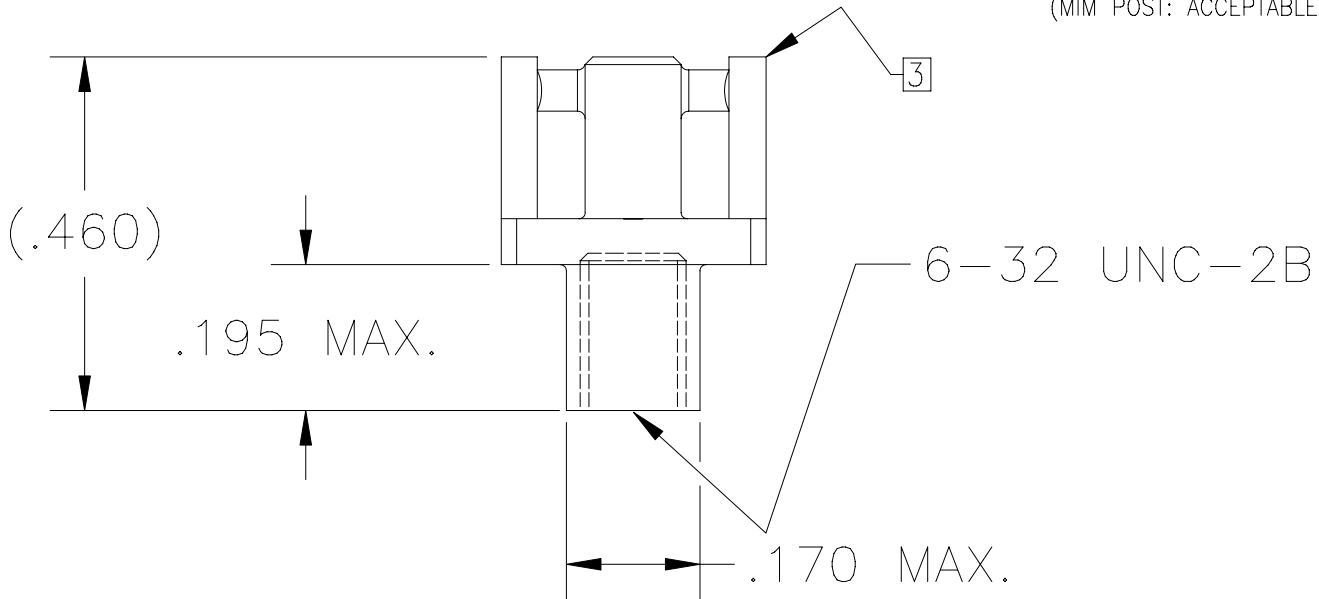
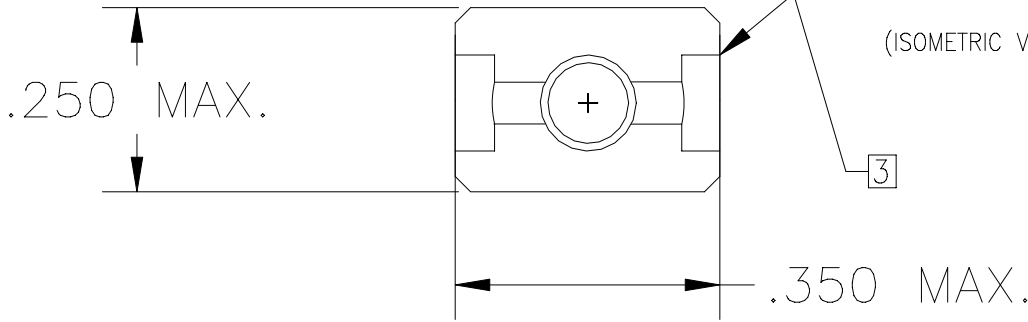
1. MATERIAL: STAINLESS STEEL, PER AISI 17-4 PH.
2. FINISH: NICKEL TEFLON PLATING PER ES-22901.
3. SIDE PLATES OPTIONAL.



(ISOMETRIC VIEW FOR REFERENCE ONLY)



(MIM POST: ACCEPTABLE ALTERNATE)



If this document is printed it becomes uncontrolled.  
Check with the web for latest revision.

SPECIFICATION CONTROL DRAWING

UNLESS OTHERWISE SPECIFIED  
DIMENSIONS ARE IN INCHES.  
METRIC DIMENSIONS ARE  
IN BRACKETS.

DECIMALS  
.XXX ± .005 [ mm ]  
.XX ± .01 [ mm ]  
ANGLES  
.X ± 1°

WEIGHT  
lbs [ 1.2 g ]

DRAWN	T. SEATON	11JUN97
CHECKED		
APPROVED	P. DUTTON	11JUN97
PCN	294001-000	
CAD NAME	T24365.DWG	

THIRD ANGLE  
PROJECTION

*Raychem*

RAYCHEM CORPORATION  
300 CONSTITUTION DRIVE  
MENLO PARK, CALIFORNIA 94025

TITLE  
POST  
MTC100Q RECEPTACLE  
.063 MAX. PANEL THICKNESS

SIZE A	CODE IDENT. NO. 06090	DWG. NO. CHA-0297	REV A
-----------	--------------------------	----------------------	----------

DO NOT SCALE THIS DRAWING

SHEET 1 OF 1

