



Chipsmall Limited consists of a professional team with an average of over 10 year of expertise in the distribution of electronic components. Based in Hongkong, we have already established firm and mutual-benefit business relationships with customers from,Europe,America and south Asia,supplying obsolete and hard-to-find components to meet their specific needs.

With the principle of “Quality Parts,Customers Priority,Honest Operation,and Considerate Service”,our business mainly focus on the distribution of electronic components. Line cards we deal with include Microchip,ALPS,ROHM,Xilinx,Pulse,ON,Everlight and Freescale. Main products comprise IC,Modules,Potentiometer,IC Socket,Relay,Connector.Our parts cover such applications as commercial,industrial, and automotives areas.

We are looking forward to setting up business relationship with you and hope to provide you with the best service and solution. Let us make a better world for our industry!



## Contact us

Tel: +86-755-8981 8866 Fax: +86-755-8427 6832

Email & Skype: info@chipsmall.com Web: www.chipsmall.com

Address: A1208, Overseas Decoration Building, #122 Zhenhua RD., Futian, Shenzhen, China



# Mini-Com® Faceplate Frames and Inserts

## specifications

Faceplate frames shall be available in single and double gang versions and shall accept a variety of inserts. Executive design faceplate frames shall have a curved appearance and include labels and label covers. Classic design faceplate frames shall have a flush appearance and include color matched mounting screws. Inserts shall be available in sloped, sloped shuttered, and flat versions, and accept all modules for increased design flexibility. Modules shall be accessible from the front for easy moves, adds, and changes.



## technical information

<b>Mounting options:</b>	Faceplate frames are compatible with wall board adapters (MWBA1 and MWBA-2G); single or double junction boxes; raceway mounting brackets
<b>Packaging:</b>	Executive series faceplate frames include two labels, two label covers; all faceplate frames include 1" long #6-32 slotted pan head screws with non-threaded lead point

## key features and benefits

<b>Modular</b>	Faceplate frames accept all Panduit Inserts; inserts accept all Mini-Com® Modules for design flexibility
<b>Front access</b>	Mini-Com® Modules are accessible from the front for easy moves, adds, and changes
<b>Sloped versions</b>	Provide additional bend radius control to protect cable
<b>Shuttered versions</b>	Integrated shuttered door keeps dust and debris out of unmated Mini-Com® Jack Modules
<b>Identification</b>	Executive series faceplate frames can be clearly identified with labels; classic series faceplate frames can be clearly identified with optional adhesive labels; sloped shuttered version available with label option; Mini-Com® Modules can be clearly identified with optional icons

## applications

The combination of faceplate frames and inserts provide the design flexibility when installing connectivity in single or double gang junction boxes, wallboard adapters, and raceway mounting brackets. A variety of inserts enable front access to connectivity

for easy moves, adds, and changes. Sloped inserts are ideal for installations which require additional bend radius control and blank inserts allow for future growth. All inserts accept Mini-Com® Modules for copper, fiber, and audio/video applications.

### Mini-Com® Faceplate Frames and Inserts

#### Executive Series Faceplate Frames

<b>Single gang:</b>	CBE*Y
<b>Double gang:</b>	CBE*-2GY

#### Classic Series Faceplate Frames

<b>Single gang:</b>	CB*^
<b>Double gang:</b>	CB*-2G^

#### 1/2 Size Inserts

<b>Sloped:</b>	CHS2*-X
<b>Sloped, shuttered:</b>	CHS1S*-X
<b>Sloped, shuttered:</b>	CHS2S*-X
<b>Sloped, shuttered with labels:</b>	CHLS2S*-X
<b>Sloped, recessed:</b>	CHSRE2*-X
<b>Flat:</b>	CHF2*-X
<b>Blank:</b>	CHB2*-X

#### 1/3 Size Inserts

<b>Flat:</b>	CHF2M*-X
<b>Blank:</b>	CHB2M*-X

#### 2/3 Size Inserts

<b>Sloped, recessed:</b>	CHS2R2*-X
--------------------------	-----------

#### 1/3 Size D-Subminiature Inserts

<b>9-pin, female to female coupler:</b>	CHD9C*Y
<b>15-pin, female to female coupler:</b>	CHD15HDC*Y
<b>15-pin, DB connector mounted to a circuit board:</b>	CHD15HDSC*Y

#### RCA 1/3 Inserts

<b>Red, green, blue:</b>	CHR3RGB*
<b>White, yellow, red:</b>	CHR3WYR*

\*To designate color, add suffix IW (Off White), EI (Electric Ivory), IG (International Gray), AW (Arctic White), WH (White), or BL (Black).

^Frames CB\*\* and CB\*\*-2G require the following clearance when installing over a mud ring:  
CB\*\*=2.80"x1.74"  
CB\*\*-2G=2.83"x3.63"

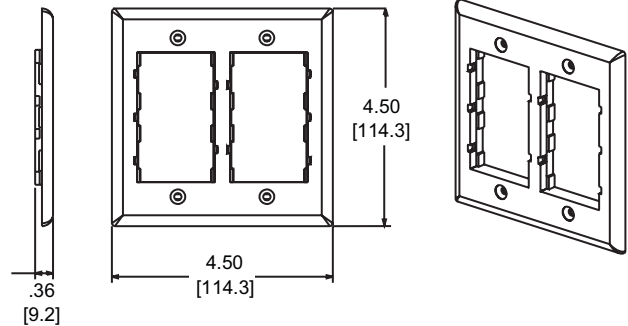
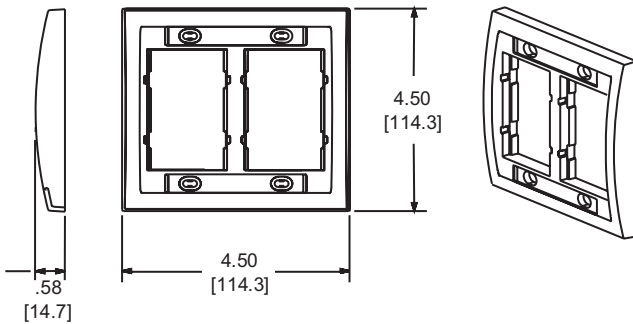
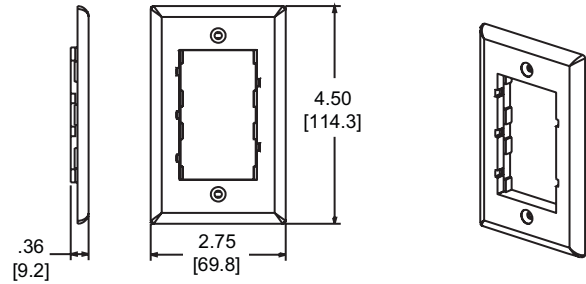
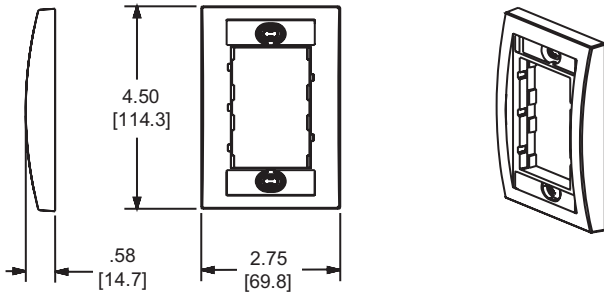
Visit [www.panduit.com](http://www.panduit.com) for complete offering of copper, fiber, and audio/video modules.



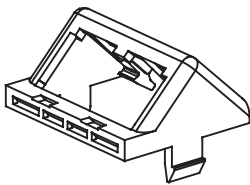
# Mini-Com® Faceplate Frames and Inserts

## executive series faceplate frames

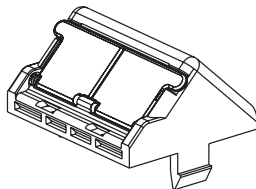
## classic series faceplate frames



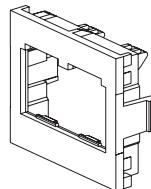
## inserts



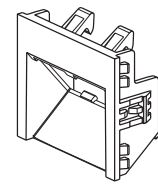
1/2 Sloped Insert



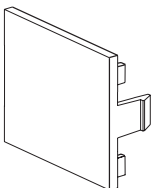
1/2 Sloped, Shuttered with or without Labels



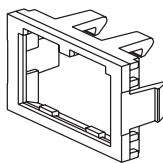
1/2 Flat Insert



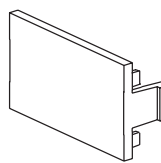
1/2 Sloped Recessed



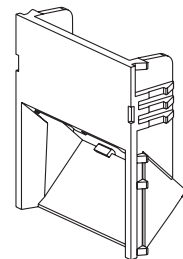
1/2 Blank Insert



1/3 Flat Insert



1/3 Blank Insert



2/3 Sloped Recessed

Dimensions are in inches [Dimensions in brackets are metric].

### WORLDWIDE SUBSIDIARIES AND SALES OFFICES

PANDUIT CANADA  
Markham, Ontario  
cs-cdn@panduit.com  
Phone: 800.777.3300

PANDUIT EUROPE LTD.  
London, UK  
cs-emea@panduit.com  
Phone: 44.20.8601.7200

PANDUIT SINGAPORE PTE. LTD.  
Republic of Singapore  
cs-ap@panduit.com  
Phone: 65.6305.7575

PANDUIT JAPAN  
Tokyo, Japan  
cs-japan@panduit.com  
Phone: 81.3.6863.6000

PANDUIT LATIN AMERICA  
Guadalajara, Mexico  
cs-la@panduit.com  
Phone: 52.33.3777.6000

PANDUIT AUSTRALIA PTY. LTD.  
Victoria, Australia  
cs-aus@panduit.com  
Phone: 61.3.9794.9020

For a copy of Panduit product warranties, log on to [www.panduit.com/warranty](http://www.panduit.com/warranty)

For more information

Visit us at [www.panduit.com](http://www.panduit.com)

Contact Customer Service by email: [cs@panduit.com](mailto:cs@panduit.com)  
or by phone: 800.777.3300

©2014 Panduit Corp.  
ALL RIGHTS RESERVED.  
OTSP38--WW-ENG  
Replaces WW-OTSP15  
8/2014