



Chipsmall Limited consists of a professional team with an average of over 10 year of expertise in the distribution of electronic components. Based in Hongkong, we have already established firm and mutual-benefit business relationships with customers from,Europe,America and south Asia,supplying obsolete and hard-to-find components to meet their specific needs.

With the principle of “Quality Parts,Customers Priority,Honest Operation,and Considerate Service”,our business mainly focus on the distribution of electronic components. Line cards we deal with include Microchip,ALPS,ROHM,Xilinx,Pulse,ON,Everlight and Freescale. Main products comprise IC,Modules,Potentiometer,IC Socket,Relay,Connector.Our parts cover such applications as commercial,industrial, and automotives areas.

We are looking forward to setting up business relationship with you and hope to provide you with the best service and solution. Let us make a better world for our industry!



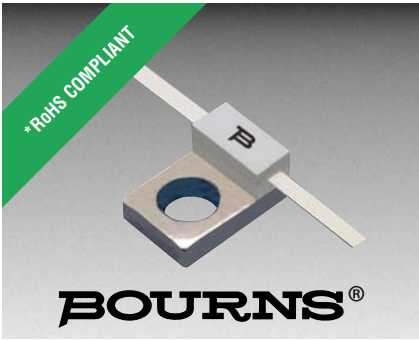
Contact us

Tel: +86-755-8981 8866 Fax: +86-755-8427 6832

Email & Skype: info@chipsmall.com Web: www.chipsmall.com

Address: A1208, Overseas Decoration Building, #122 Zhenhua RD., Futian, Shenzhen, China





Features

- DC to 4 GHz
- Flanged model
- Low VSWR

Applications

- High power RF transmission

CHF3020CBF Series Power RF Terminations / Resistors

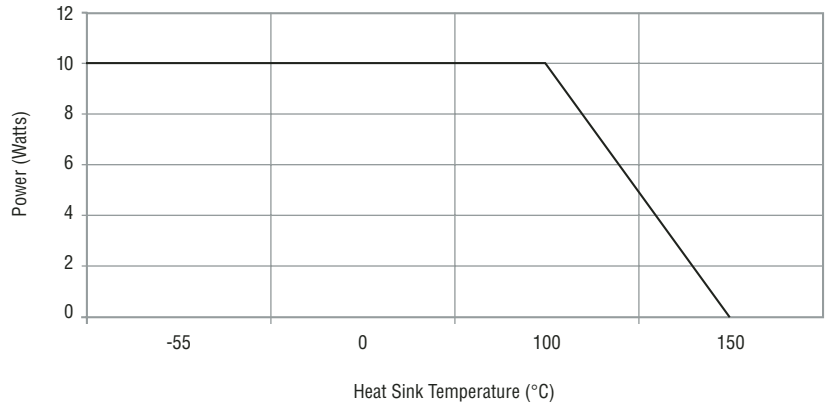
General Specifications

SubstrateBeo
 Resistive Film.....Thick Film
 TabAg
 Cover Substrate.....AL203
 Mounting FlangeCu plated with Ni
 Resistance.....50 Ω
 Tolerance.....±5 %
 Packaging100 pcs./tray

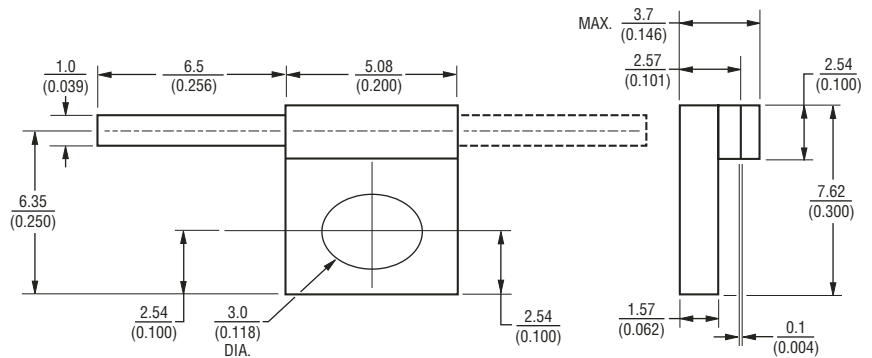
Absolute Ratings

Power10 W
 Frequency4.0 GHz
 VSWR.....1.35 Maximum
 Capacitance.....0.8 pF

Characteristic Curve



Product Dimensions



DIMENSIONS = $\frac{\text{MILLIMETERS}}{\text{(INCHES)}}$



Reliable Electronic Solutions

Asia-Pacific:

Tel: +886-2 2562-4117
 Fax: +886-2 2562-4116

Europe:

Tel: +41-41 768 5555
 Fax: +41-41 768 5510

The Americas:

Tel: +1-951 781-5500
 Fax: +1-951 781-5700

www.bourns.com

How To Order

CHF 3020 C B F 500 L

Model _____
 Size _____
 Version _____
 Substrate _____
 Mount _____
 F = Flange
 Value _____
 500 = 50 Ohm
 Function _____
 L = Termination
 R = Resistor