



Chipsmall Limited consists of a professional team with an average of over 10 year of expertise in the distribution of electronic components. Based in Hongkong, we have already established firm and mutual-benefit business relationships with customers from,Europe,America and south Asia,supplying obsolete and hard-to-find components to meet their specific needs.

With the principle of "Quality Parts,Customers Priority,Honest Operation,and Considerate Service",our business mainly focus on the distribution of electronic components. Line cards we deal with include Microchip,ALPS,ROHM,Xilinx,Pulse,ON,Everlight and Freescale. Main products comprise IC,Modules,Potentiometer,IC Socket,Relay,Connector.Our parts cover such applications as commercial,industrial, and automotives areas.

We are looking forward to setting up business relationship with you and hope to provide you with the best service and solution. Let us make a better world for our industry!



Contact us

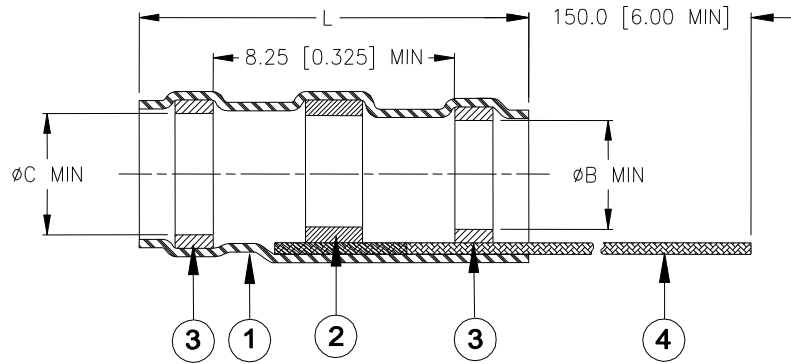
Tel: +86-755-8981 8866 Fax: +86-755-8427 6832

Email & Skype: info@chipsmall.com Web: www.chipsmall.com

Address: A1208, Overseas Decoration Building, #122 Zhenhua RD., Futian, Shenzhen, China



CUSTOMER DRAWING



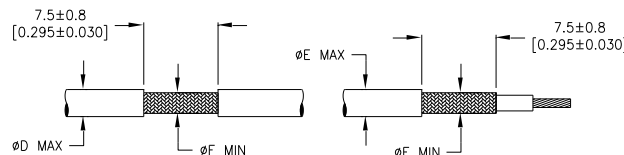
| Product Name | Ident. Code | Product Dimensions | | | Cable Dimensions | | |
|--------------|-------------|---------------------|-----------------|-----------------|------------------|-----------------|-----------------|
| | | L±1.75 [L±0.075] | øB min | øC min | øD max | øE max | øF min |
| S200-1-9020 | S2001R | 16.50 [0.650] | 1.90 [0.075] | 2.67 [0.105] | 1.90 [0.075] | 2.67 [0.105] | 0.90 [0.035] |
| S200-2-9020 | S2002R | 16.50 [0.650] | 2.67 [0.105] | 3.68 [0.145] | 2.67 [0.105] | 3.68 [0.145] | 1.40 [0.055] |
| S200-3-9020 | S2003R | 16.50 [0.650] | 4.32 [0.170] | 5.08 [0.200] | 4.32 [0.170] | 5.08 [0.200] | 2.15 [0.085] |
| S200-4-9020 | S2004R | 19.10 [0.750] | 5.97 [0.235] | 6.48 [0.255] | 5.97 [0.235] | 6.48 [0.255] | 3.30 [0.130] |
| S200-5-9020 | S2005R | 19.10 [0.750] | 6.98 [0.275] | 7.62 [0.300] | 6.98 [0.275] | 7.62 [0.300] | 4.30 [0.170] |


MATERIALS

- INSULATION SLEEVE: Heat-shrinkable, transparent blue, radiation cross-linked modified fluoropolymer.
- SOLDER PREFORM WITH FLUX AND THERMAL INDICATOR:
 SOLDER: TYPE Sn96 per ANSI / J-STD-006.
 FLUX: TYPE ROM1 per ANSI / J-STD-004.
 THERMAL INDICATOR: Fusible ring with melt temp of 242°C
- MELTABLE SEALING RINGS: Environment resistant modified thermoplastic fluoropolymer. Color: light blue.
- PRE-INSTALLED BRAID: Ni-plated copper strands per ASTM B355, Class 4. CMA= 1200

APPLICATION

- These parts are designed to provide an environment protected shield termination on cables, rated for 150°C minimum, meeting the dimensional criteria listed, and having silver or nickel-plated shields, and insulations compatible with the insert material. For compatible insulations consult Tyco Electronics/Raychem.
- Install using Tyco Electronics approved convection or infrared heating tools in accordance with Tyco Electronics process standard RCPS-100-71. When installed with approved convection or infrared heating tools, assemblies will meet the performance requirements of SAE AS83519. Infrared tools are not recommended for use with black cable jackets.
- Parts shall be marked with identification code per table.
- Temperature range: -65°C to +200°C.
- For best results, prepare the cable as shown:



| | | | | | | |
|--|---|--|--|-------------------|----------------------------------|------------------------|
|  | | | TITLE: SOLDERSLEEVE SHIELD TERMINATOR WITH PRE-INSTALLED BRAID, 200 DEG C, ROHS COMPLIANT | | | |
| Unless otherwise specified dimensions are in millimeters. [Inches dimensions are shown in brackets] | | | Raychem Devices | | DOCUMENT NO.: S200-X-9020 | |
| TOLERANCES: 0.00 N/A 0.0 N/A 0 N/A | ANGLES: N/A ROUGHNESS IN MICRON | Tyco Electronics reserves the right to amend this drawing at any time. Users should evaluate the suitability of the product for their application. | | | REV: B | DATE: 18-Apr-07 |
| DRAWN BY: P.TALLY | CAGE CODE: 06090 | REPLACES: D070175 | ECO NUMBER: 16-007432 | SCALE: NTS | SIZE: A | SHEET: 1 of 1 |

© 2007-2016 Tyco Electronics Corporation. All rights reserved.

If this document is printed it becomes uncontrolled. Check for the latest revision.