



Chipsmall Limited consists of a professional team with an average of over 10 year of expertise in the distribution of electronic components. Based in Hongkong, we have already established firm and mutual-benefit business relationships with customers from,Europe,America and south Asia,supplying obsolete and hard-to-find components to meet their specific needs.

With the principle of “Quality Parts,Customers Priority,Honest Operation,and Considerate Service”,our business mainly focus on the distribution of electronic components. Line cards we deal with include Microchip,ALPS,ROHM,Xilinx,Pulse,ON,Everlight and Freescale. Main products comprise IC,Modules,Potentiometer,IC Socket,Relay,Connector.Our parts cover such applications as commercial,industrial, and automotives areas.

We are looking forward to setting up business relationship with you and hope to provide you with the best service and solution. Let us make a better world for our industry!



Contact us

Tel: +86-755-8981 8866 Fax: +86-755-8427 6832

Email & Skype: info@chipsmall.com Web: www.chipsmall.com

Address: A1208, Overseas Decoration Building, #122 Zhenhua RD., Futian, Shenzhen, China



CJ-series B7A Interface Unit

CJ1W-B7A

CSM_CJ1W-B7A_DS_E_3_1

It transmits 16 points of I/O signals per word with a pair of cables.

Easy and minimized wiring effort,

- The B7A Interface Unit and B7A Link Terminal can be used in the same way as a standard Basic I/O Unit and I/O Terminal without any need to worry about communications. This characteristic reduces the wiring when using more than one relatively remote sensor or actuator.

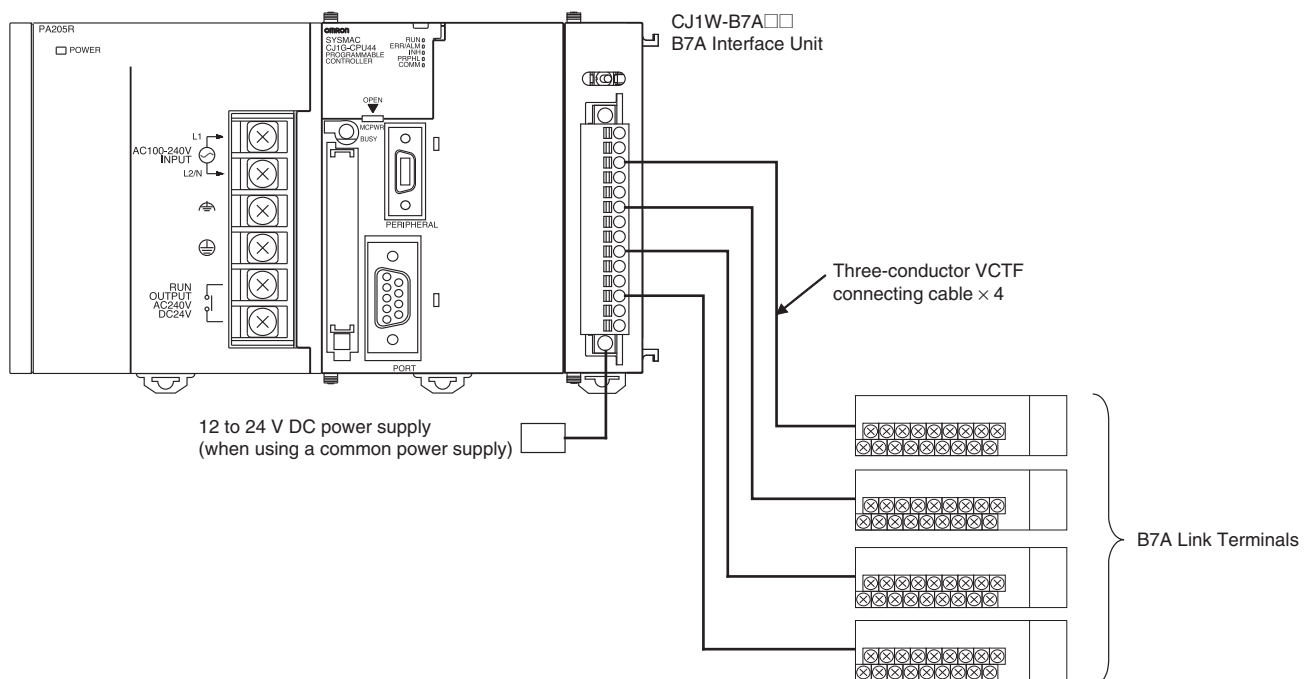


CJ1W-B7A14

Features

- A CJ1W-B7A unit can transmit 64 points of I/O signals.
- The slim body can downsize machines to which CJ1W-B7A is connected.
- It is a basic I/O unit. No complicated setting and programs are required.

System Configuration



B7A Communications Specifications

Item	Specifications		
Transmission method	One-way time-sharing multiplex transmissions		
Transmission delay (communications delay on transmission path)	High-speed	3 ms typical, 5 ms max.	
	Standard	19.2 ms typical, 31 ms max.	
Transmission points	CJ1W-B7A14	64 inputs (4 ports)	
	CJ1W-B7A04	64 outputs (4 ports)	
	CJ1W-B7A22	32 inputs (2 ports), 32 outputs (2 ports)	
External power supply voltage *1	12 to 24 V DC (allowable voltage range: 10.8 to 26.4 V)		
External supply current *2	CJ1W-B7A14	40 mA min.	
	CJ1W-B7A04	150 mA min.	
	CJ1W-B7A22	80 mA min.	
Minimum input time *3	High-speed	16 ms	
	Standard	2.4 ms	
Transmission distance	High-speed	Power supply on one side (common power supply)	10 m max. 50 m max. (with shielded cable)
		Power supply on both sides (separate power supplies)	10 m max. 100 m max. (with shielded cable)
	Standard	Power supply on one side (common power supply)	100 m max.
		Power supply on both sides (separate power supplies)	500 m max.
Cables	VCTF, 0.75 mm ² , 3 conductors (power supply on one side (common power supply)) VCTF, 0.75 mm ² , 2 conductors (power supply on both sides (separate power supplies)) Shielded cable, 0.75 mm ² , 3 conductors (power supply on one side (common power supply)) Shielded cable, 0.75 mm ² , 2 conductors (power supply on both sides (separate power supplies))		

Note: 1. When separate power supplies are used, the B7A Interface Unit and B7A Link Terminal are supplied by separate external power supplies.
2. When a common power supply is used, the B7A Interface Unit and B7A Link Terminal are supplied by the same external power supply.

*1. We recommend OMRON S8□□-series Power Supply Units for the external power supplies.

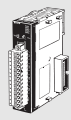
*2. The capacity of the external supply current does not include the capacity required by the B7A Link Terminal.

*3. The minimum input time is the minimum time required by the B7A Interface Unit to read the input signals from the CPU Unit.

Ordering Information

International Standards

- The standards are abbreviated as follows: U: UL, U1: UL (Class I Division 2 Products for Hazardous Locations), C: CSA, UC: cULus, UC1: cULus (Class I Division 2 Products for Hazardous Locations), CU: cUL, N: NK, L: Lloyd, and CE: EC Directives.
- Contact your OMRON representative for further details and applicable conditions for these standards.

Unit type	Name	Specifications		No. of words allocated	Current consumption (A)		Model	Standards
		I/O points	External connection		5 V	24 V		
CJ1 Basic I/O Units	 B7A Interface Units	64 inputs	Removable terminal block	4 words	0.07	–	CJ1W-B7A14	UC1, CE
		64 outputs			0.07	–	CJ1W-B7A04	
		32 inputs/outputs			0.07	–	CJ1W-B7A22	

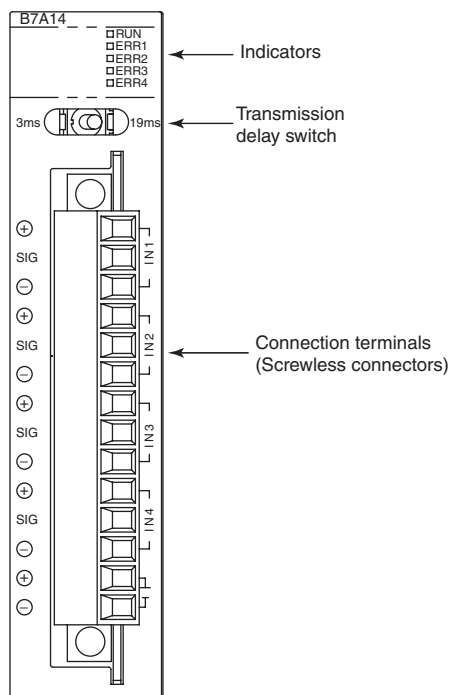
Mountable Racks

Model	NJ system		CJ system (CJ1, CJ2)		CP1H system	NSJ system	
	CPU Rack	Expansion Rack	CPU Rack	Expansion Backplane	CP1H PLC	NSJ Controller	Expansion Backplane
CJ1W-B7A14 CJ1W-B7A04 CJ1W-B7A22	10 Units	10 Units (per Expansion Rack)	10 Units	10 Units (per Expansion Backplane)	Not Supported	Not Supported	10 Units (per Expansion Backplane)

Specifications

Items	Mode	Standard mode	High-speed mode
I/O points		IN 32 / OUT 32 (CJ1W-B7A22) IN 64 (CJ1W-B7A14) OUT 64 (CJ1W-B7A04)	
Transmission method		One-way time-sharing multiplex transmissions	
Transmission distance		500m max.	100m max.
Transmission delay		19.2ms (typical)	3ms (typical)
Minimum input time		16ms	2.4ms
Power Supply voltage (allowable voltage range)		12 to 24VDC (10.8 to 26.4VDC)	
I/O memory Allocations		Each Unit is allocated 4 words in the I/O Area (which starts at CIO 0000). The words are allocated according to the mounting position of the Unit.	
Transmission error bit		A transmission error bit for each input port is allocated in the Basic I/O Unit Information Area.	
Cable		VCTF, 0.75mm ² recommended.	

Parts and Names



Terminal Arrangement

Terminal	Name	Function	Word	Appearance
(1)	Port 1 power supply: V1	Connect to the + terminal of the B7A Link Terminal to be connected to port 1 (only when using a common power supply).	n	
(2)	Port 1 signal: SIG1	Connect to the SIG terminal of the B7A Link Terminal to be connected to port 1.		
(3)	Port 1 ground: G1	Connect to the - terminal of the B7A Link Terminal to be connected to port 1.		
(4)	Port 2 power supply: V2	Connect to the + terminal of the B7A Link Terminal to be connected to port 2 (only when using a common power supply).	n+1	
(5)	Port 2 signal: SIG2	Connect to the SIG terminal of the B7A Link Terminal to be connected to port 2.		
(6)	Port 2 ground: G2	Connect to the - terminal of the B7A Link Terminal to be connected to port 2.		
(7)	Port 3 power supply: V3	Connect to the + terminal of the B7A Link Terminal to be connected to port 3 (only when using a common power supply).	n+2	
(8)	Port 3 signal: SIG3	Connect to the SIG terminal of the B7A Link Terminal to be connected to port 3.		
(9)	Port 3 ground: G3	Connect to the - terminal of the B7A Link Terminal to be connected to port 3.		
(10)	Port 4 power supply: V4	Connect to the + terminal of the B7A Link Terminal to be connected to port 4 (only when using a common power supply).	n+3	
(11)	Port 4 signal: SIG4	Connect to the SIG terminal of the B7A Link Terminal to be connected to port 4.		
(12)	Port 4 ground: G4	Connect to the - terminal of the B7A Link Terminal to be connected to port 4.		
(13)	+ power supply: V	Connect to the + terminal of the external power supply.	-	
(14)	- power supply: G	Connect to the - terminal of the external power supply.		

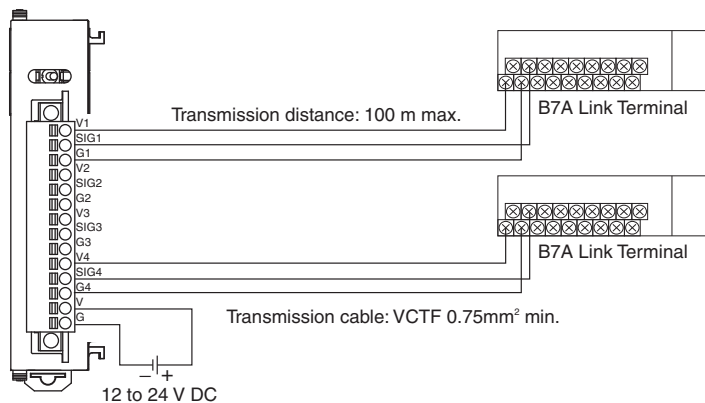
Note: Terminals V1, V2, V3, V4, and V are connected internally in the Unit, and terminals G1, G2, G3, G4, and G are connected internally in the Unit.

Wiring Methods

Standard Mode

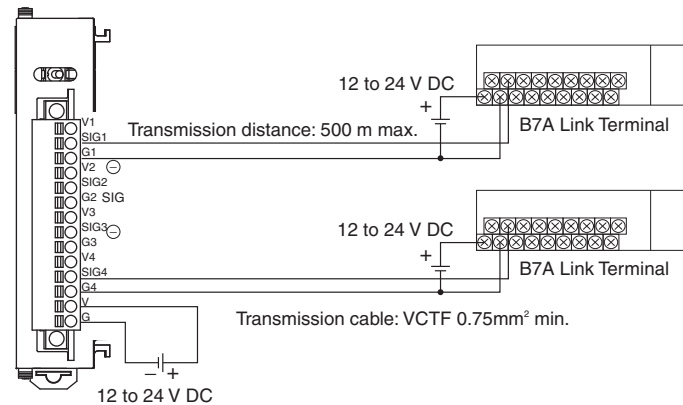
Power Supply on One Side (Common Power Supply)

B7A Interface Unit



Power Supply on Both Sides (Separate Power Supplies)

B7A Interface Unit

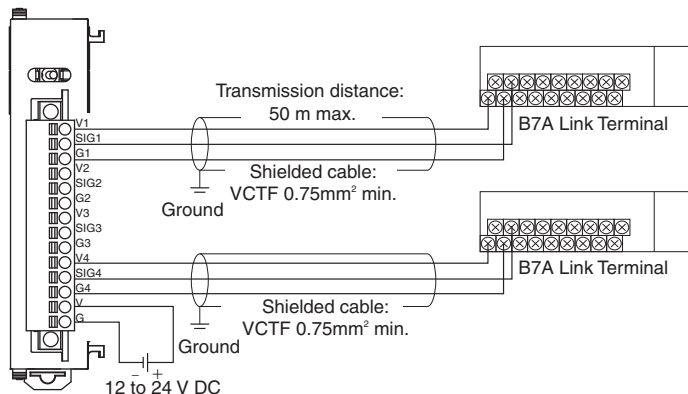


High-speed Mode

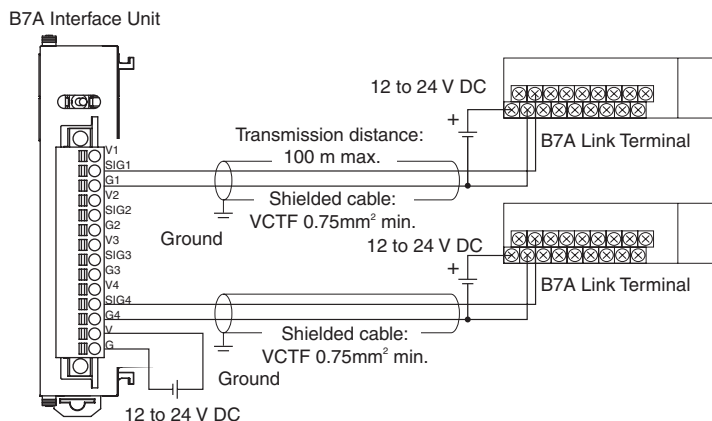
Note: If shielded cable is not used, the maximum transmission distance is 10 m regardless of whether a common or separate power supplies are used. (Use VCTF cable of 0.75 mm² or higher.)

Power Supply on One Side (Common Power Supply)

B7A Interface Unit



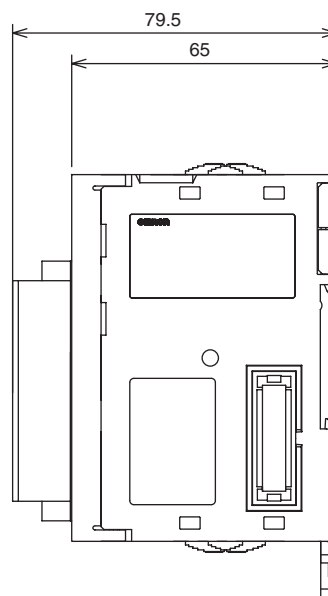
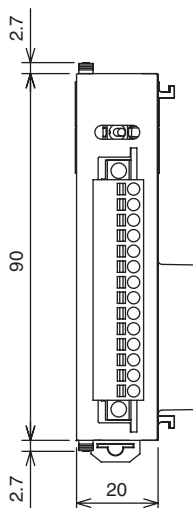
Power Supply on Both Sides (Separate Power Supplies)



Dimensions

(Unit: mm)

CJ1W-B7A14/04/22



Related Manual

Cat.No.	Name	Contents
W472	CJ-series CJ2 CPU Unit Hardware User's Manual CJ2H-CPU6□-EIP CJ2H-CPU6□ CJ2M-CPU□□	Describes the following for CJ2 CPU Units: <ul style="list-style-type: none"> • Overview and features • Basic system configuration • Part nomenclature and functions • Mounting and setting procedure • Remedies for errors • Also refer to the Software User's Manual (W473).
W393	SYSMAC CJ Series CJ1H-CPU□□H-R, CJ1G/H-CPU□□H, CJ1G-CPU□□P, CJ1G- CPU□□, CJ1M-CPU□□ Programmable Controllers OPERATION MANUAL	Provides an outlines of and describes the design, installation, maintenance, and other basic operations for the CJ-series PLCs.
W500	NJ-series CPU Unit Hardware User's Manual NJ501-□□□	An introduction to the entire NJ-series system is provided along with the following information on a Controller built with an NJ501 CPU Unit. <ul style="list-style-type: none"> • Features and system configuration • Introduction • Part names and functions • General specifications • Installation and wiring • Maintenance and inspection Use this manual together with the NJ-series CPU Unit Software User's Manual (Cat. No.W501).

Terms and Conditions Agreement

Read and understand this catalog.

Please read and understand this catalog before purchasing the products. Please consult your OMRON representative if you have any questions or comments.

Warranties.

(a) Exclusive Warranty. Omron's exclusive warranty is that the Products will be free from defects in materials and workmanship for a period of twelve months from the date of sale by Omron (or such other period expressed in writing by Omron). Omron disclaims all other warranties, express or implied.

(b) Limitations. OMRON MAKES NO WARRANTY OR REPRESENTATION, EXPRESS OR IMPLIED, ABOUT NON-INFRINGEMENT, MERCHANTABILITY OR FITNESS FOR A PARTICULAR PURPOSE OF THE PRODUCTS. BUYER ACKNOWLEDGES THAT IT ALONE HAS DETERMINED THAT THE PRODUCTS WILL SUITABLY MEET THE REQUIREMENTS OF THEIR INTENDED USE.

Omron further disclaims all warranties and responsibility of any type for claims or expenses based on infringement by the Products or otherwise of any intellectual property right. (c) Buyer Remedy. Omron's sole obligation hereunder shall be, at Omron's election, to (i) replace (in the form originally shipped with Buyer responsible for labor charges for removal or replacement thereof) the non-complying Product, (ii) repair the non-complying Product, or (iii) repay or credit Buyer an amount equal to the purchase price of the non-complying Product; provided that in no event shall Omron be responsible for warranty, repair, indemnity or any other claims or expenses regarding the Products unless Omron's analysis confirms that the Products were properly handled, stored, installed and maintained and not subject to contamination, abuse, misuse or inappropriate modification. Return of any Products by Buyer must be approved in writing by Omron before shipment. Omron Companies shall not be liable for the suitability or unsuitability or the results from the use of Products in combination with any electrical or electronic components, circuits, system assemblies or any other materials or substances or environments. Any advice, recommendations or information given orally or in writing, are not to be construed as an amendment or addition to the above warranty.

See <http://www.omron.com/global/> or contact your Omron representative for published information.

Limitation on Liability; Etc.

OMRON COMPANIES SHALL NOT BE LIABLE FOR SPECIAL, INDIRECT, INCIDENTAL, OR CONSEQUENTIAL DAMAGES, LOSS OF PROFITS OR PRODUCTION OR COMMERCIAL LOSS IN ANY WAY CONNECTED WITH THE PRODUCTS, WHETHER SUCH CLAIM IS BASED IN CONTRACT, WARRANTY, NEGLIGENCE OR STRICT LIABILITY.

Further, in no event shall liability of Omron Companies exceed the individual price of the Product on which liability is asserted.

Suitability of Use.

Omron Companies shall not be responsible for conformity with any standards, codes or regulations which apply to the combination of the Product in the Buyer's application or use of the Product. At Buyer's request, Omron will provide applicable third party certification documents identifying ratings and limitations of use which apply to the Product. This information by itself is not sufficient for a complete determination of the suitability of the Product in combination with the end product, machine, system, or other application or use. Buyer shall be solely responsible for determining appropriateness of the particular Product with respect to Buyer's application, product or system. Buyer shall take application responsibility in all cases.

NEVER USE THE PRODUCT FOR AN APPLICATION INVOLVING SERIOUS RISK TO LIFE OR PROPERTY OR IN LARGE QUANTITIES WITHOUT ENSURING THAT THE SYSTEM AS A WHOLE HAS BEEN DESIGNED TO ADDRESS THE RISKS, AND THAT THE OMRON PRODUCT(S) IS PROPERLY RATED AND INSTALLED FOR THE INTENDED USE WITHIN THE OVERALL EQUIPMENT OR SYSTEM.

Programmable Products.

Omron Companies shall not be responsible for the user's programming of a programmable Product, or any consequence thereof.

Performance Data.

Data presented in Omron Company websites, catalogs and other materials is provided as a guide for the user in determining suitability and does not constitute a warranty. It may represent the result of Omron's test conditions, and the user must correlate it to actual application requirements. Actual performance is subject to the Omron's Warranty and Limitations of Liability.

Change in Specifications.

Product specifications and accessories may be changed at any time based on improvements and other reasons. It is our practice to change part numbers when published ratings or features are changed, or when significant construction changes are made. However, some specifications of the Product may be changed without any notice. When in doubt, special part numbers may be assigned to fix or establish key specifications for your application. Please consult with your Omron's representative at any time to confirm actual specifications of purchased Product.

Errors and Omissions.

Information presented by Omron Companies has been checked and is believed to be accurate; however, no responsibility is assumed for clerical, typographical or proofreading errors or omissions.

2014.1

In the interest of product improvement, specifications are subject to change without notice.

OMRON Corporation
Industrial Automation Company

<http://www.ia.omron.com/>

(c)Copyright OMRON Corporation 2014 All Right Reserved.