



Chipsmall Limited consists of a professional team with an average of over 10 year of expertise in the distribution of electronic components. Based in Hongkong, we have already established firm and mutual-benefit business relationships with customers from,Europe,America and south Asia,supplying obsolete and hard-to-find components to meet their specific needs.

With the principle of "Quality Parts,Customers Priority,Honest Operation,and Considerate Service",our business mainly focus on the distribution of electronic components. Line cards we deal with include Microchip,ALPS,ROHM,Xilinx,Pulse,ON,Everlight and Freescale. Main products comprise IC,Modules,Potentiometer,IC Socket,Relay,Connector.Our parts cover such applications as commercial,industrial, and automotives areas.

We are looking forward to setting up business relationship with you and hope to provide you with the best service and solution. Let us make a better world for our industry!



## Contact us

Tel: +86-755-8981 8866 Fax: +86-755-8427 6832

Email & Skype: info@chipsmall.com Web: www.chipsmall.com

Address: A1208, Overseas Decoration Building, #122 Zhenhua RD., Futian, Shenzhen, China



RED INDICATES ORIGINAL

DISK #		DATA CONTAINED IN THIS DOCUMENT IS PROPRIETARY TO TROMPETER ELECTRONICS INC. AND SHALL NOT BE DISCLOSED, COPIED OR USED FOR PROCUREMENT OR MANUFACTURE WITHOUT EXPRESS WRITTEN PERMISSION.		REVISIONS		1-0134		SH 1
REV	EO	DESCRIPTION		DWN	APPROVED	DATE		
W	8594	ADDED -63 CABLE GROUP; DIM .600 & .655 WERE .570 AND .640; DWG NO WAS 1000-0134 AND REDRAWN		DJK	<i>[Signature]</i>	11-3-89		

DASH NO	FIG	CABLES ACCOMMODATED	A DIM	B FLATS	C HEX	D DIA MAX	ASSEMBLE PER
-1		RG-58					
-U1		ESSEX 821-715					
-2		RG-59					
-U2							
-2A		BELDEN 8297					
-U2A							
-2B		W.E.CO. 730A					
-U2B							
-3							
-U3	1,3	RG-223	.997	.500	.437	.600	
-3A							
-U3A		RG-55					
-4		RG-122					
-U4		BELDEN 8218					
-5		RG-174					
-U5		RG-187					
-5A							
-U5A		RG-196					
-5B							
-U5B		HEWLETT-PACKARD 8120-1107					
-6							
-U6	1	BELDEN 9231	1.030	.562	.500	.655	TAI-101
-6E		RG-5					
-U6E		RG-6					
-21							
-U21		RG-303					
-22							
-U22		RG-180					
-31		GRUMMAN GC8756P1					
-U31		RG-187 DBL SHLD					
-34							
-U34	1,3	BELDEN 8228	.997	.500	.437	.600	
-36							
-U36		275-3991 MICRODOT 616-568 AMPEX					
-37							
-U37		810 RAYCHEM					
-41							
-U41		RG-304, BELDEN 9248, 9284, 9383					
-44							
-U44		BRAND-REX B749 60RE C05C032					
-51							
-U51	1	88281 BELDEN	1.030	.562	.500	.655	
-52							
-U52		89120 BELDEN					
-53							
-U53	1,3	89555 BELDEN					
-63							
-U63		734A, AT&T	.997	.500	.437	.600	
-086							
-U086	2	RG-405					TAI-130
-141							
-U141		RG-402					

FIG 1  $\Delta$   
- 1 SHOWN

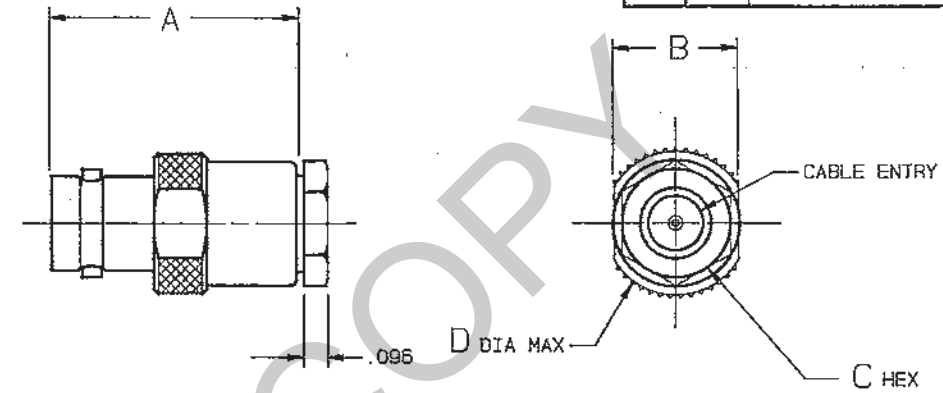


FIG 2  $\Delta$   
- 086 SHOWN

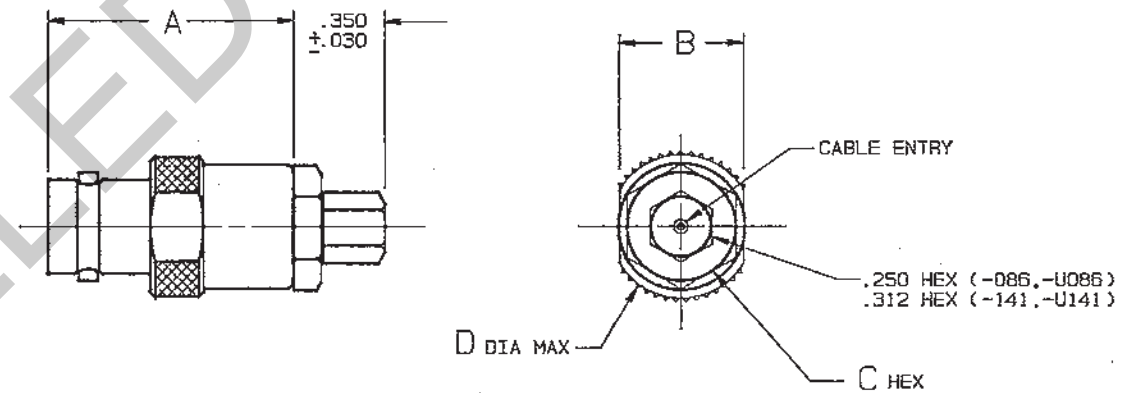
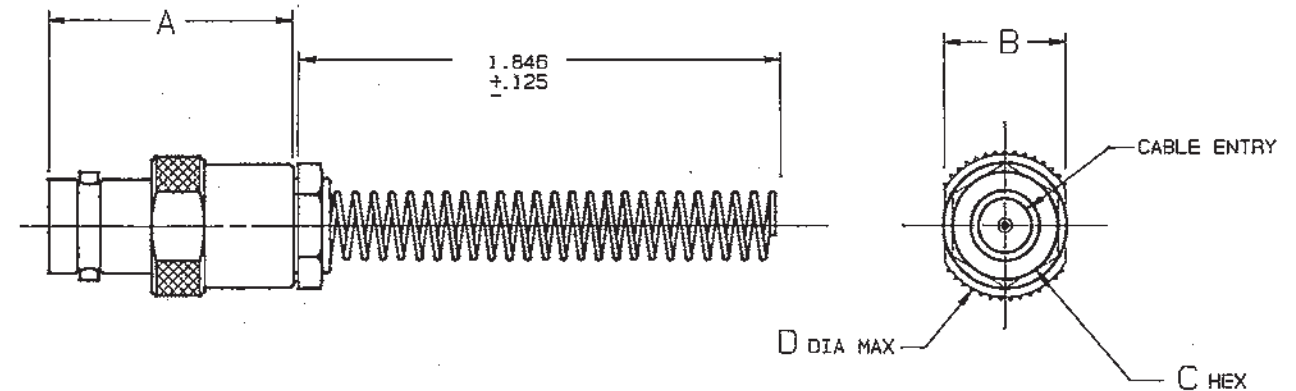


FIG 3  $\Delta$   
- 1 SHOWN



INCH	MM
.005	0.13
.030	0.76
.096	2.44
.125	3.18
.250	6.35
.312	7.92
.350	8.89
.437	11.10
.500	12.70
.562	14.27
.600	15.24
.655	16.64
.997	25.32
1.030	26.16
1.846	46.89

$\Delta$  IF BEND RELIEF SPRING REQUIRED ADD SUFFIX "BR" TO MODEL NO. (SEE FIG 3) (NOT AVAILABLE WITH CABLE GROUPS -6, -U6, -6E, -U6E, -51, -U51, -52, -U52, -63, -U63, -086, -U086, -141 & -U141)

4. DASH NO DENOTES CABLE GROUP EXCEPT "U" PREFIX DENOTES 75 OHM VERSION
3. FEMALE TYPE BNC COAXIAL CABLE PLUG BOTH 50 & 75 OHM VERSIONS
2. FINISH: TFS-1A (NICKEL)
1. ALL DIM ARE IN INCHES

DESCRIPTION		PART NUMBER		ITEM
TOL UNLESS SPECIFIED		TROMPETER		CJ20/UCJ20
105-0717	105-0449	RF connectivity		CJ20BR/UCJ20BR
110-0002	1-0220	DWN DJK 9/15/89		REV
205-0001	1-0218	MATERIAL		14949
105-1010	1-0204	CODE IDENT		1-0134
105-1004	1-0212	DRAWING NO.		W
105-0158	NEXT ASSY	DATE		1/17/86
		SHEET		1 OF 2