



Chipsmall Limited consists of a professional team with an average of over 10 year of expertise in the distribution of electronic components. Based in Hongkong, we have already established firm and mutual-benefit business relationships with customers from,Europe,America and south Asia,supplying obsolete and hard-to-find components to meet their specific needs.

With the principle of “Quality Parts,Customers Priority,Honest Operation,and Considerate Service”,our business mainly focus on the distribution of electronic components. Line cards we deal with include Microchip,ALPS,ROHM,Xilinx,Pulse,ON,Everlight and Freescale. Main products comprise IC,Modules,Potentiometer,IC Socket,Relay,Connector.Our parts cover such applications as commercial,industrial, and automotives areas.

We are looking forward to setting up business relationship with you and hope to provide you with the best service and solution. Let us make a better world for our industry!



Contact us

Tel: +86-755-8981 8866 Fax: +86-755-8427 6832

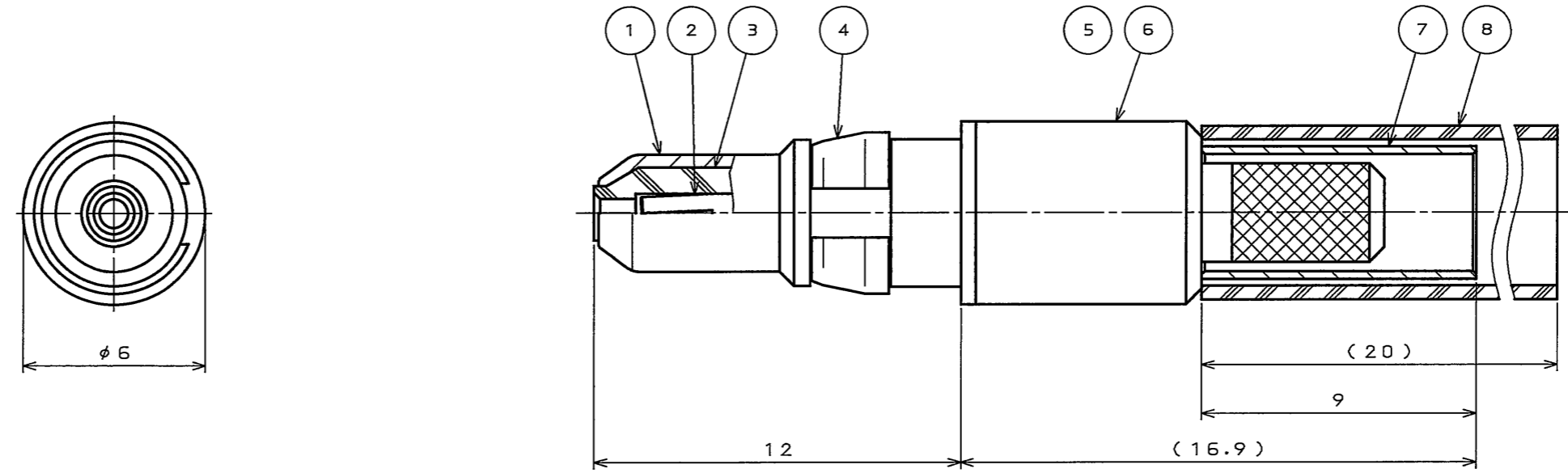
Email & Skype: info@chipsmall.com Web: www.chipsmall.com

Address: A1208, Overseas Decoration Building, #122 Zhenhua RD., Futian, Shenzhen, China



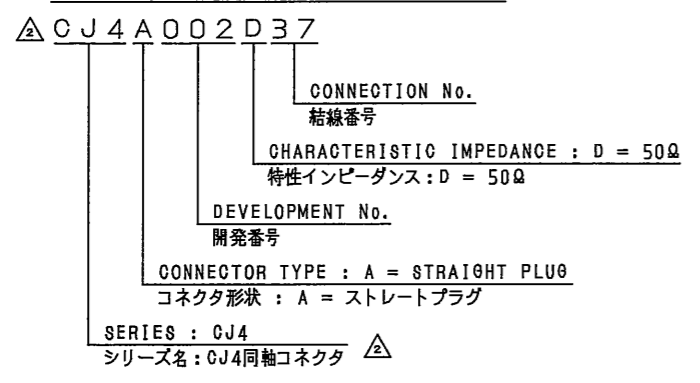
717701S
('ON 0NIMVHO) 台 表 理 図

版 数 REV.	年 月 日 DATE	DCN NO.	変 更 内 容 DESCRIPTION	製 図 DR.	担 当 CHK.	査 閲 APPD.	承 認 APPD.
2	31.Jan.2006	059276	TITLE REDRAWN		T.MIYASHITA	—	Y. Sugii



APPLICABLE WIRE 適合ケーブル
DOUBLE BRAID COAXIAL CABLE OF 1.5D
1.5D相当2重編組同軸ケーブル

DESIGNATION 命名法



THE PARTS SHOWN WITH ※ ARE ATTACHED.
※は添付品を示す

符号 NO.	名 称 DESCRIPTION	個 数 QTY.	材 料 MATERIAL	仕 上 FINISH	備 考 REMARKS
※ 8	SHRINKAGE TUBE	1	POLYOREFIN	COLOR:BLACK	
※ 7	FERRULE	1	BRASS	NICKEL PLATING	
6	SHELL #2	1	BRASS	NICKEL PLATING	
5	INSULATOR #2	1	PTFE		
4	RETAINING RING	1	PHOSOPHOR BRONZE	NICKEL PLATING	
3	INSULATOR #1	1	PTFE		
※ 2	SOCKET CONTACT	1	PHOSOPHOR BRONZE	GOLD PLATING OVER NICKEL	
1	SHELL #1	1	BRASS	GOLD PLATING OVER NICKEL	

仕様書 (SPECIFICATION) JAGS-20024 JAHL-20024-1	第1版 (ORIGINAL DATE) 8.Dec.2004	尺 度 (SCALE) 10:1	シ リ ー ズ (SERIES) CJ4 △	日本航空電子工業株式会社 JAPAN AVIATION ELECTRONICS INDUSTRY, LTD.	図面番号 (DRAWING NO.) SJ102717	版数 (REV.) 2
公差 (GENERAL TOLERANCE) 寸法 (DIMENSION) 角度 (ANGLES)	製 図 DR.	名 称 (TITLE) CJ4A002D37 △	備 考 REMARKS			
. ±0.8 ° ± .X ±0.4 °X ± .XX ±0.1 .XXX ±	担 当 CHK. T.MIYASHITA 査 閲 APPD. 承 認 APPD. Y.SUGII	質 量 (MASS)	△			

DOE-0-212E(03.08)

