



Chipsmall Limited consists of a professional team with an average of over 10 year of expertise in the distribution of electronic components. Based in Hongkong, we have already established firm and mutual-benefit business relationships with customers from,Europe,America and south Asia,supplying obsolete and hard-to-find components to meet their specific needs.

With the principle of “Quality Parts,Customers Priority,Honest Operation,and Considerate Service”,our business mainly focus on the distribution of electronic components. Line cards we deal with include Microchip,ALPS,ROHM,Xilinx,Pulse,ON,Everlight and Freescale. Main products comprise IC,Modules,Potentiometer,IC Socket,Relay,Connector.Our parts cover such applications as commercial,industrial, and automotives areas.

We are looking forward to setting up business relationship with you and hope to provide you with the best service and solution. Let us make a better world for our industry!



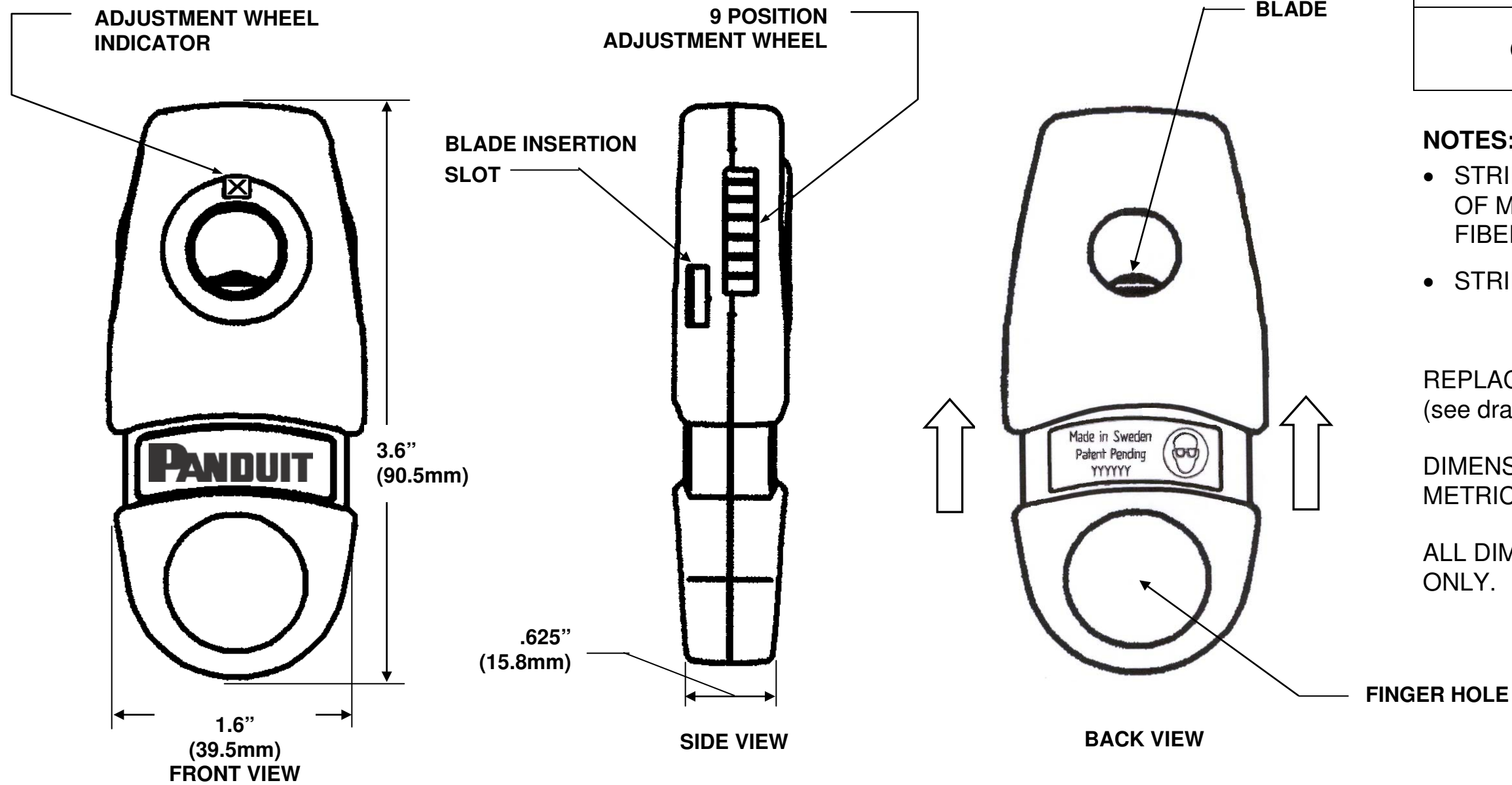
Contact us

Tel: +86-755-8981 8866 Fax: +86-755-8427 6832

Email & Skype: info@chipsmall.com Web: www.chipsmall.com

Address: A1208, Overseas Decoration Building, #122 Zhenhua RD., Futian, Shenzhen, China





PANDUIT PART NO.	WEIGHT
CFAST	0.9 oz. / ea. (28 g.) / ea.

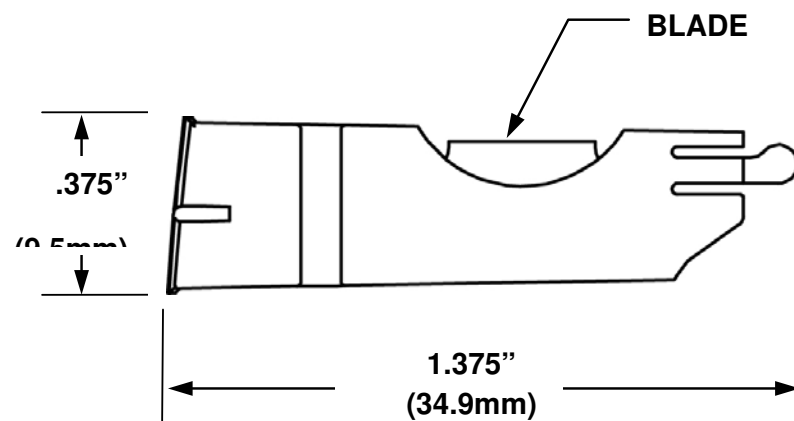
NOTES:

- STRIPS INSULATION UP TO 0.040" (1.0mm) OF MULTI CORE CABLE, UTP/STP CABLE, FIBER OPTIC CABLE, ETC.
- STRIP RANGE: 0.1" – 0.43" (2.5 – 11mm)

REPLACEMENT BLADE KIT: CFASTB
(see drawing below)

DIMENSIONS IN PARENTHESES ARE IN METRIC.

ALL DIMENSIONS ARE FOR REFERENCE ONLY.



CFASTB REPLACEMENT BLADE
(sold separately)

REV	DATE	BY	CHK	APR	DESCRIPTION	ECN
03	4-15-14	BLR	BJPU	ABJ	REDRAWN—UPDATE LOGO	4737

CFAST CABLE JACK ADJUSTABLE STRIPPER TOOL CUSTOMER DRAWING						
ITEM REVISION NAME: CG24591B01_03				PANDUIT		
UNLESS OTHERWISE SPECIFIED, DIMENSIONAL TOLERANCES ARE: (.x) ± --- (.xxx) ± --- (.xx) ± --- ANGLES ± ---				MATERIAL: -----		
THIRD ANGLE PROJECTION				DRAWING NUMBER: CG24591B01		
DRAWN BY: BLR	DATE: 4-16-14	CHK BJPU	SCALE NONE	SHT 1 OF 1	SIZE B	