



Chipsmall Limited consists of a professional team with an average of over 10 year of expertise in the distribution of electronic components. Based in Hongkong, we have already established firm and mutual-benefit business relationships with customers from,Europe,America and south Asia,supplying obsolete and hard-to-find components to meet their specific needs.

With the principle of “Quality Parts,Customers Priority,Honest Operation,and Considerate Service”,our business mainly focus on the distribution of electronic components. Line cards we deal with include Microchip,ALPS,ROHM,Xilinx,Pulse,ON,Everlight and Freescale. Main products comprise IC,Modules,Potentiometer,IC Socket,Relay,Connector.Our parts cover such applications as commercial,industrial, and automotives areas.

We are looking forward to setting up business relationship with you and hope to provide you with the best service and solution. Let us make a better world for our industry!



Contact us

Tel: +86-755-8981 8866 Fax: +86-755-8427 6832

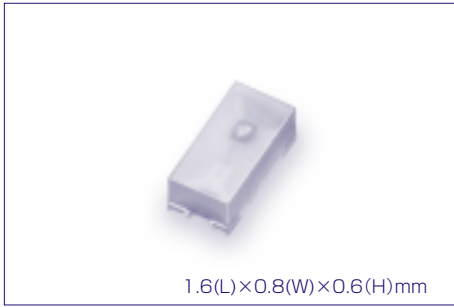
Email & Skype: info@chipsmall.com Web: www.chipsmall.com

Address: A1208, Overseas Decoration Building, #122 Zhenhua RD., Futian, Shenzhen, China



CL-196 Series

Mono-Color Upward-Lighting Type **CL-196 Series**



1.6(L)×0.8(W)×0.6(H)mm

● CL-190の厚み(0.8mm)をさらに薄くした小型チップLEDです。

● Compact chip LED even thinner than CL-190 (0.8mm thick).

発光色のラインアップにつきましては、発注時にお問い合わせの上、ご確認ください。

Please contact us at the time of order for the lineup of luminescent colors.

●絶対最大定格 Absolute Maximum Rating (Ta 25°C)

Product code	Pd (mW)	If (mA)	IFP (mA)	VR (V)	Top (°C)	Tst (°C)
CL-196 (UR,HRを除く Except UR and HR)	50	20	100*1	5	-25~+80	-30~+85
CL-196UR/HR	78	30				

*1 IFPの条件はduty 1/10、パルス巾30msecです。

*1 Conditions for IFP are pulse of 1/10 duty and 30msec width.

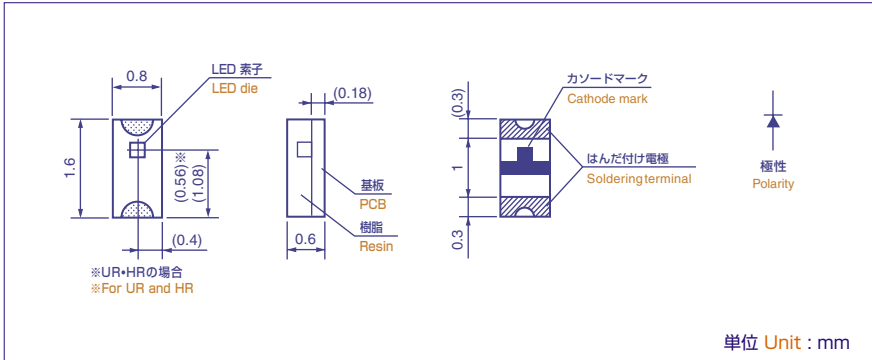
●電気的光学的特性 Electro-optical Characteristics (Ta 25°C)

Product code	Color variation	VF			λd typ (nm)	Δλ typ (nm)	Iv*		
		If (mA)	typ (V)	max (V)			If (mA)	min (mcd)	typ (mcd)
CL-196R	Red	20	2.2	2.6	645	100	20	0.5	1.3
CL-196D	Orange	20	2.2	2.6	600	40	20	2.4	7.1
CL-196Y	Yellow	20	2.1	2.6	589	40	20	2.6	6.4
CL-196YG	Yellow green	20	2.2	2.6	575	30	20	5	18
CL-196G	Green	20	2.2	2.6	570	26	20	2.5	10
CL-196FG	Fresh green	20	2.2	2.6	566	26	20	2.2	6.5
CL-196PG	Pure green	20	2.2	2.6	559	24	20	1	3
CL-196SR	Super brightness red	20	2	2.6	640	40	20	1.5	4.3
CL-196SD	Super brightness orange	20	2	2.6	620	40	20	2	6.2
CL-196UR	Ultra brightness red	20	1.8	2.6	650	20	20	3.5	13
CL-196HR	High brightness red	20	1.8	2.6	640	20	20	5	23

*NIST規格に準拠

*Per NIST standards

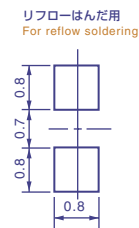
●外形寸法図 Outline drawing



単位 Unit : mm

推奨はんだ付けパターン

The following soldering patterns are recommended for reflow-soldering:



■ 諸特性 Characteristics

