



Chipsmall Limited consists of a professional team with an average of over 10 year of expertise in the distribution of electronic components. Based in Hongkong, we have already established firm and mutual-benefit business relationships with customers from,Europe,America and south Asia,supplying obsolete and hard-to-find components to meet their specific needs.

With the principle of “Quality Parts,Customers Priority,Honest Operation,and Considerate Service”,our business mainly focus on the distribution of electronic components. Line cards we deal with include Microchip,ALPS,ROHM,Xilinx,Pulse,ON,Everlight and Freescale. Main products comprise IC,Modules,Potentiometer,IC Socket,Relay,Connector.Our parts cover such applications as commercial,industrial, and automotives areas.

We are looking forward to setting up business relationship with you and hope to provide you with the best service and solution. Let us make a better world for our industry!



Contact us

Tel: +86-755-8981 8866 Fax: +86-755-8427 6832

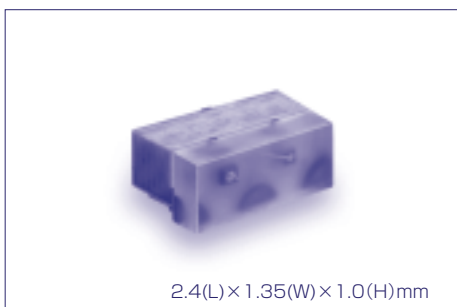
Email & Skype: info@chipsmall.com Web: www.chipsmall.com

Address: A1208, Overseas Decoration Building, #122 Zhenhua RD., Futian, Shenzhen, China



CL-375 Series

Multi-Color Side-Lighting Type **CL-375 Series**



- 2色発光タイプのチップLEDです。
- 2-colored illuminated type chip LED

●絶対最大定格 Absolute Maximum Rating (Ta 25°C)

| Series | Color variation | P ^{*1} (mW) | Pd (mW) | I _F (mA) | I _{FP} (mA) | V _R (V) | Top (°C) | Tst (°C) |
|--------|-----------------|----------------------|---------|---------------------|----------------------|--------------------|----------|----------|
| CL-375 | YG | 90 | 65 | 25 | 100 ^{*2} | 5 | -25~+80 | -30~+85 |
| | HR | | 78 | 30 | | | | |

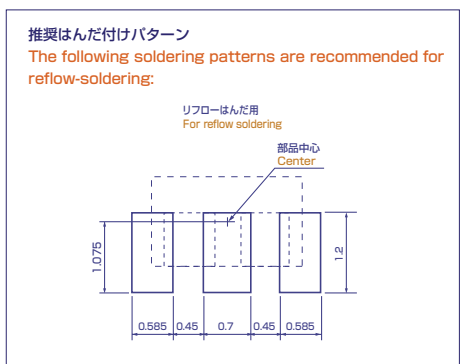
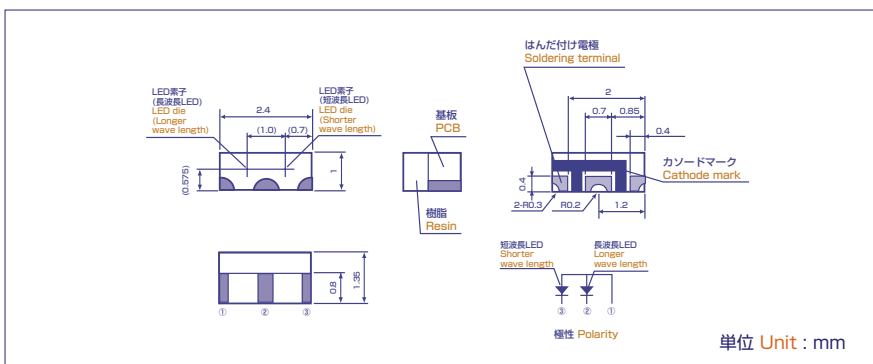
※1 Pは同時点灯時の全許容損失を示します。
 ※1 P means total value of power dissipation when both colors are on.
 ※2 I_{FP}の条件はduty 1/10、パルス巾30msecです。
 ※2 Conditions for I_{FP} are pulse of 1/10 duty and 30msec width.

●電気的光学的特性 Electro-optical Characteristics (Ta 25°C)

| Product code | Color variation | V _F | | | λ _p typ (nm) | Δλ typ (nm) | I _v [*] | | |
|--------------|---------------------|---------------------|---------|---------|-------------------------|-------------|-----------------------------|-----------|-----------|
| | | I _F (mA) | typ (V) | max (V) | | | I _F (mA) | min (mcd) | typ (mcd) |
| CL-375HR/YG | Yellow green | 20 | 2.2 | 2.6 | 570 | 30 | 20 | 5.0 | 18 |
| | High brightness red | 20 | 1.8 | 2.6 | 660 | 20 | 20 | 5.0 | 23 |

※NIST規格に準拠
 ※Per NIST standards

●外形寸法図 Outline drawing



■諸特性 Characteristics

