



Chipsmall Limited consists of a professional team with an average of over 10 year of expertise in the distribution of electronic components. Based in Hongkong, we have already established firm and mutual-benefit business relationships with customers from,Europe,America and south Asia,supplying obsolete and hard-to-find components to meet their specific needs.

With the principle of “Quality Parts,Customers Priority,Honest Operation,and Considerate Service”,our business mainly focus on the distribution of electronic components. Line cards we deal with include Microchip,ALPS,ROHM,Xilinx,Pulse,ON,Everlight and Freescale. Main products comprise IC,Modules,Potentiometer,IC Socket,Relay,Connector.Our parts cover such applications as commercial,industrial, and automotives areas.

We are looking forward to setting up business relationship with you and hope to provide you with the best service and solution. Let us make a better world for our industry!



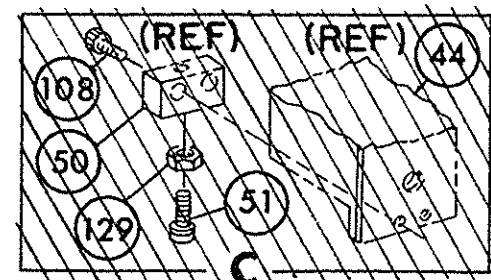
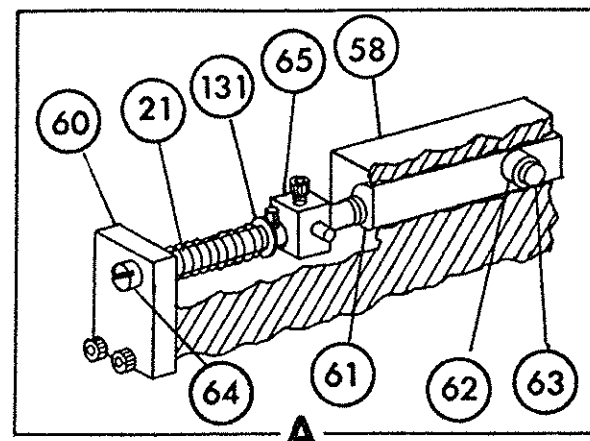
Contact us

Tel: +86-755-8981 8866 Fax: +86-755-8427 6832

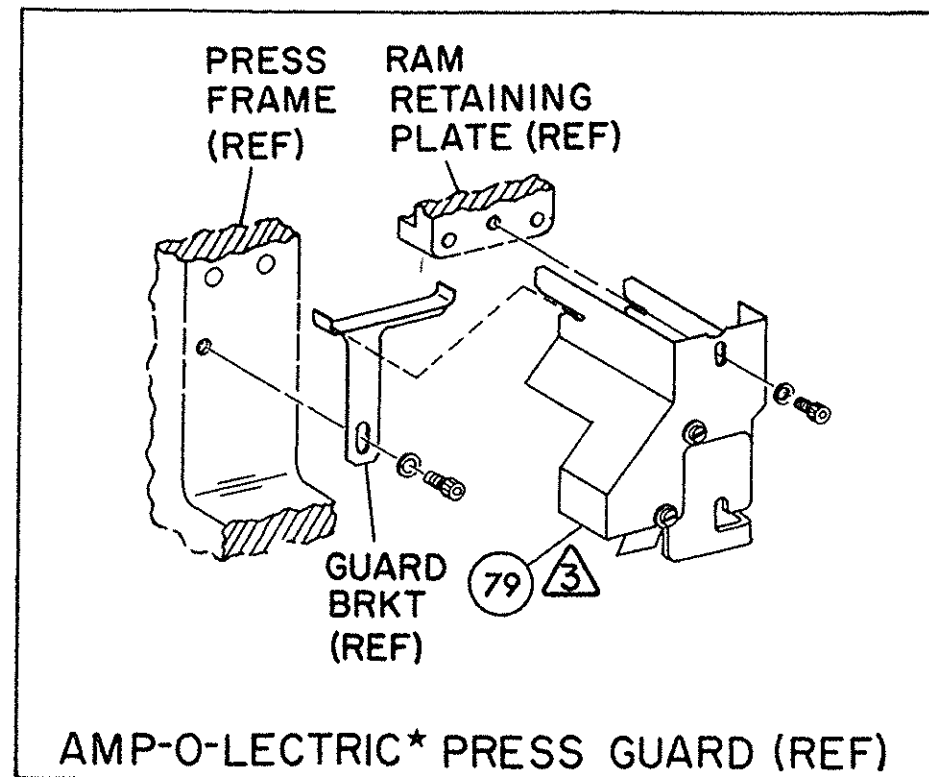
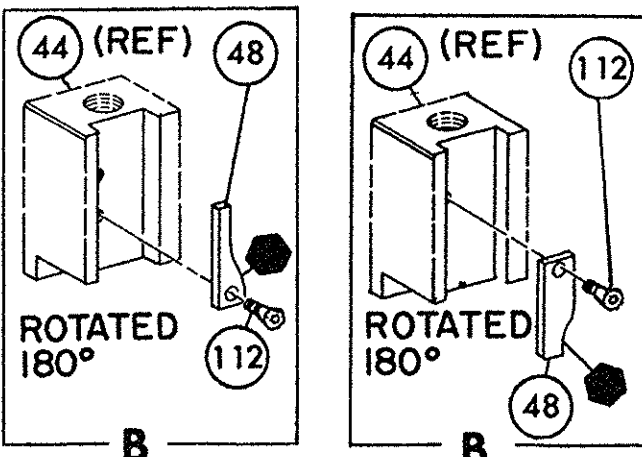
Email & Skype: info@chipsmall.com Web: www.chipsmall.com

Address: A1208, Overseas Decoration Building, #122 Zhenhua RD., Futian, Shenzhen, China





PRE-FEED 1/8" STROKE
POST-FEED 5/8" STROKE



NOTES:

1- ONLY THE ITEMS WITH QUANTITIES SPECIFIED ON PARTS LIST ARE USED ON THIS APPLICATOR.

▲-USED IN PLACE OF ITEM 38 WHEN INSULATION CRIMP IS NOT USED.

▲-GUARD MUST BE IN PLACE WHEN OPERATING APPLICATOR IN AMP-O-LECTRIC PRESS.

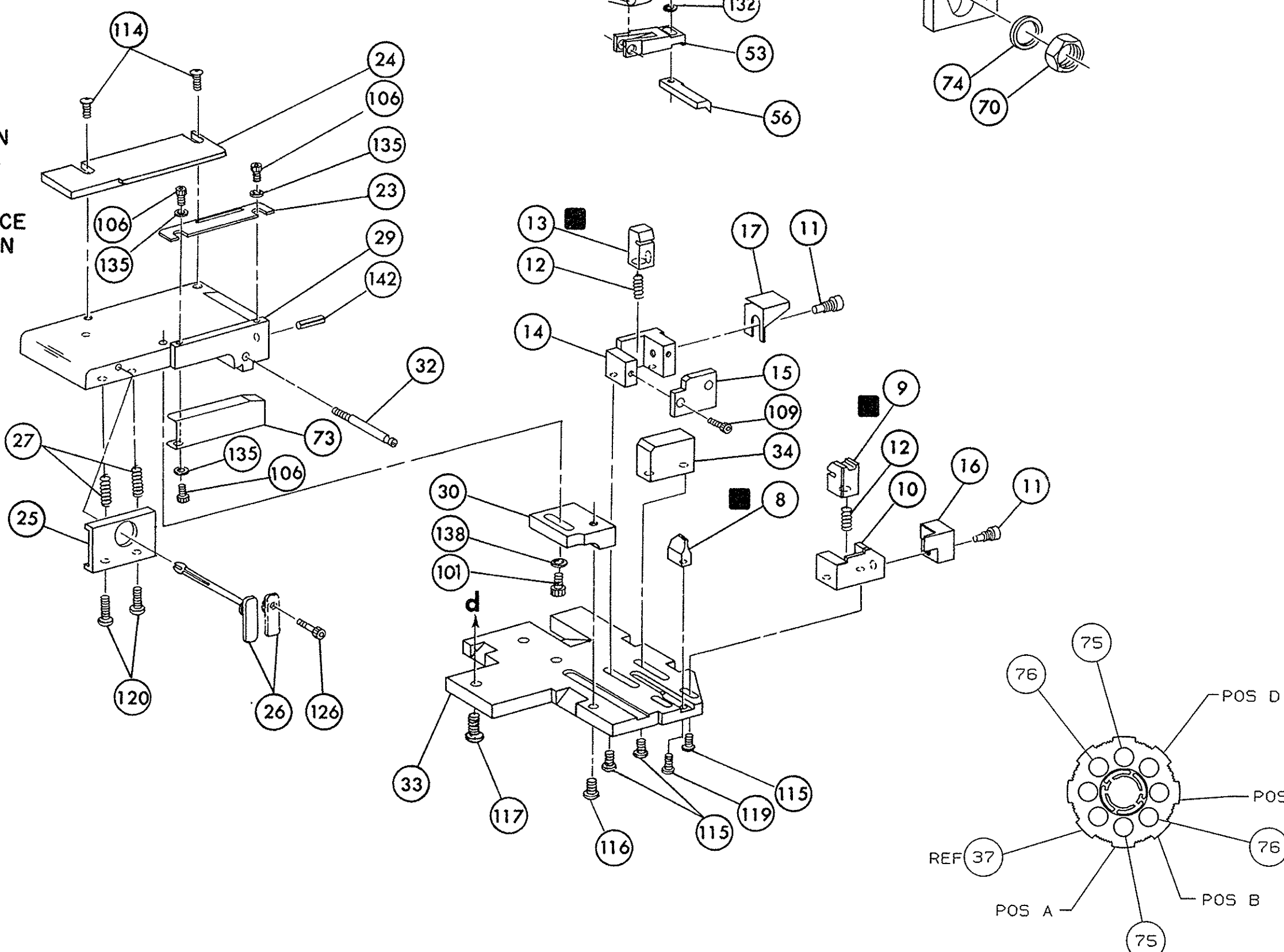
KEY:

■-RECOMMENDED SPARE PARTS

▲-LUBRICATE DAILY USING NO. 20 MACHINE OIL.

●-GREASE LIGHTLY

▲ ADJUST PIN TO SET LANCE TO DEPTH



QTY	PART NO	DESCRIPTION	ITEM NO	QTY	PART NO	DESCRIPTION	ITEM NO
2	21045-3	RING, RETAINING 'C' (.187 DIA) FEED FINGER PIN	145	1	454220-1	CAP, HOUSING	59
2	5-21028-1	PIN, SLOT SPR (.125 DIA X .50) ADJ ROD	143	1	454485-	HOUSING	58
1	4-21028-0	PIN, SLOT SPR (.093 DIA X .75) STR G PLATE	142	1	458537-1	PAWL, FEED	56
1	1-21030-1	PIN, DOWEL (.187 DIA X .50) LEVER	141	1	240624-1	PIN, FEED FINGER	55
1	1-21030-6	PIN, DOWEL (.187 DIA X 1.25) HOUSING	140	1	691499-1	SPRING, FEED FINGER	54
5	21024-5	WASHER, LOCK (NO 10) LUB ASSY	139	1	690541-1	FINGER, FEED	53
2	21024-5	WASHER, LOCK (NO 10) STRIP GUIDE ADJ BLOCK	138	1	455679-2	LEVER, TERMINAL FEED ARM	52
2	21024-5	WASHER, LOCK (NO 10) ADJ PLATE	137			BUMPER, HOLDDOWN	51
2	21024-5	WASHER, LOCK (NO 10) FEED GUIDE ROD	136			SPACER, TONKER	50
2	21024-2	WASHER, LOCK (NO 4) FRONT STRIP GUIDE	135	1	7-21002-9	BOLT, CRIMPER	49
2	21024-4	WASHER, LOCK (NO 8) FEED FINGER	134	1	690602-5	CAM, PRE - FEED 1/8 STROKE	48
2	21024-4	WASHER, LOCK (NO 8) DEPRESSOR	133	1	986950-1	WASHER	47
4	21024-4	WASHER, LOCK (NO 8) STRIPPER	132		459456-1	APPLICATOR, BASIC (SUB ASSY)	46
1	21899-4	WASHER, FLAT (5/16 DIA) SCREW ADJ	131	1	690191-1	PLUG, NYLON	45
1	21899-2	WASHER, FLAT (NO 10) LUB ASSY	130	1	455673-1	RAM	44
2	21018-5	NUT, HEX MACH (6-32) HOLDDOWN	129	1	690125-1	WASHER, LAMINATED	43
1	21068-5	NUT, HEX MACH (6-32) FEED ADJ	128	1	1-690124-1	WASHER, RAM	42
1	2-21008-1	SCR, SKT SET (4-40 X .25) PIN HOLDER	127			DISC, SPACER	41
1	22353-8	SCR, SHLD. (.187 DIA X .250 LG) DRAG LEVER	126	1	23241-6	BALL, STEEL	40
1	456567-1	SCR, SHLD. (.187 DIA X .125 LG) STRIPPER	125	1	690170-1	SPRING, COMPRESSION	39
2	21009-2	SCR, SKT SET (1/4-20 X .25) (LOC-WEL) RAM	124	1	690142-1	DISC, INSULATION	38
2	21017-2	SCR, DRIVE (#2 X .19) I.D. PLATE	123	1	354777-1	DISC, WIRE	37
1	6-23715-5	SCR, RD HD MACH (6-32 X 1.50) FEED ADJ	122	1	22480-5	WASHER, SPRING	36
1	461264-1	PLATE, IDENTIFICATION	121	1	690212-1	POST, RAM	35
2	2-21002-9	SCR, BUT HD SKT CAP (10-32 X .75) DRAG	120	1	694074-5	SUPPORT, TERMINAL	34
1	22733-8	SCR, BUT HD SKT CAP (8-32 X .38) (LOC-WEL) ANVIL	119	1	455675-1	PLATE, BASE	33
4	2-21002-9	SCR, BUT HD SKT CAP (10-32 X .75) CAP	118	1	690432-3	SCREW, ADJUSTMENT	32
3	2-22733-8	SCR, BUT HD SKT CAP (1/4-20 X .75) HOUSING	117				31
1	2-21002-7	SCR, BUT HD SKT CAP (10-32 X .50) SG ADJ BLOCK	116	1	455689-1	BLOCK, STRIP GUIDE ADJ	30
4	2-21002-2	SCR, BUT HD SKT CAP (8-32 X .50) SHEAR	115	1	458144-9	PLATE, STRIP GUIDE	29
2	2-21002-3	SCR, BUT HD SKT CAP (8-32 X .62) R STRIP GUIDE	114			SPACER, FRONT SHEAR DEPRESSOR	28
1	1-21002-7	SCR, BUT HD SKT CAP (6-32 X .38) CAM	113	2	1-22284-0	SPRING, DRAG	27
1	3-21000-4	SCR, SKT HD CAP (10-32 X .38) LUBRICATOR ASSY	111	1	240793-1	LEVER, DRAG RELEASE	26
1	23030-1	SCR, SKT HD CAP (6-32 X .25) (LOC-WEL) CP DISC	110	1	240792-1	DRAG, STOCK	25
1	3-21000-4	SCR, SKT HD CAP (6-32 X .25) REAR SHEAR PLATE	109	1	5-690504-8	GUIDE STRIP (REAR)	24
2	2-21000-8	SCR, SKT HD CAP (8-32 X .62) DEPRESSOR	108	1	690438-1	GUIDE, STRIP (FRONT)	23
1	2-22603-0	SCR, HEX HD MACH (8-32 X .31) FEED FINGER	107	1	4-22284-9	SPRING, FEED RETURN	21
3	1-21000-3	SCR, SKT HD CAP (4-40 X .25) F STRIP GUIDE	106	1	458950-1	ARM, STRIPPER	20
1	2-21000-7	SCR, SKT HD CAP (8-32 X .50) STRIPPER	105	1	458949-1	STRIPPER	19
2	3-21000-7	SCR, SKT HD CAP (10-32 X .75) FEED ROD GUIDE	104		469965-1	HOLDER, TERMINAL	18
2	3-21000-6	SCR, SKT HD CAP (10-32 X .62) FEED ADJ BLOCK	103			GUARD, CHIP (REAR)	17
1	3-21000-4	SCR, SKT HD CAP (10-32 X .38) SG ADJ BLOCK	102	1	691667-3	GUARD, CHIP (FRONT)	16
2	3-21000-4	SCR, SKT HD CAP (10-32 X .38) PIVOT BLOCK	101			PLATE, SHEAR (REAR)	15
1	455755-3	GUARD ASS'Y	79			HOLDER, SHEAR (REAR)	14
1	1-465184-0	LUBRICATOR ASSY	78	1	690191-5	PLUG, NYLON	13
2	5-354778-2	PIN, WIRE DISC (.2755) B	76	1	5-22280-0	SPRING, SHEAR	12
2	1-354778-9	PIN, WIRE DISC (.2590) A	75	1	690461-7	STOP, SHEAR	11
1	458109-1	WASHER, SPECIAL	74	1	1-690459-0	HOLDER, SHEAR (FRONT)	10
1	454377-3	PLATE, STRIP GUIDE COVER	73	1	454276-7	SHEAR, FLOAT (FRONT)	9
1	690603-1	SPRING, ASSIST	72	1	3-458834-8	ANVIL	8
1	690517-1	SPACER	71	1	815306-1	HOLDER, SETTING PIN	7
1	22594-8	NUT, HEX	70	1	815307-1	PIN, LANCE SETTING	6
1	240628-1	PLATE, ADJUSTMENT	69	1	2-455889-1	DEPRESSOR, SHEAR (FRONT)	5
1	240626-1	SHAFT, PIVOT	68	1	238011-1	SPACER, TUBULAR, INS CRIMPER	4
1	240633-1	BUSHING	67	1	6-456135-7	CRIMPER, INSULATION	3
1	455680-1	LEVER, INTERMEDIATE	66	1	1-455888-0	SPACER, CRIMPER	2
1	240629-1	BLOCK, PIVOT	65		458141-5	CRIMPER, WIRE	1
1	240632-2	SCREW, ADJUSTMENT FEED ROD	64				
1	240659-3	PIN, CAM ROLLER	63				
1	240658-1	ROLLER, CAM	62				
1	454398-2	ROD, FEED	61				
1	454178-1	GUIDE, FEED ROD	60				

REMARKS		NO	REV
APPL USED ON MACHINE PART NO		TO APPLY TERMINAL SPEC 114-9005	
CUSTOMER NAME		DISTRIBUTION	
ADDRESS		ORIGINAL	
CITY		CUSTOMER COPY	
		FIELD ENG COPY	

CRIMPING DATA				APPLICATOR WILL APPLY	
PAD LTR	CRIMP HEIGHT	WIRE SIZE	WIRE LENGTH	530519	
A	.108	10	.280-.300		
B	.091	12	.280-.300		
C	NOT USED				
D	NOT USED				
CRIMP	SIZE	TYPE	FEED	APPL INST	
WIRE	.160	"F"	.750	A1 8040	
INSUL	250	"O"			
WIRE RANGE	12-10	INSULATION RANGE	.160-.210	PRESS NO	565435-5
REMARKS					
AMP-O-LECTRIC PRE-FEED					
#10 WIRE MUST BE PLACED IN WIRE BARREL TO TERMINATE.					
REF. I.D. PLATE 461264-1					

REVISION RECORD	APP DATE	REV	DESCRIPTION
J	0150-0150-03	2-03	TE
J	0150-0065-01	1-01	CE
H	0150-7598-97	1-01	WC

THIS IS A CONTROLLED DOCUMENT.

BY AMP INCORPORATED ALL RIGHTS RESERVED



AMP INCORPORATED Harrisburg, Pa

NO 466438-2

MINIATURE QUICK CHANGE APPLICATOR SIDE FEED (HIGH CURRENT CONTACT)