



Chipsmall Limited consists of a professional team with an average of over 10 year of expertise in the distribution of electronic components. Based in Hongkong, we have already established firm and mutual-benefit business relationships with customers from,Europe,America and south Asia,supplying obsolete and hard-to-find components to meet their specific needs.

With the principle of “Quality Parts,Customers Priority,Honest Operation,and Considerate Service”,our business mainly focus on the distribution of electronic components. Line cards we deal with include Microchip,ALPS,ROHM,Xilinx,Pulse,ON,Everlight and Freescale. Main products comprise IC,Modules,Potentiometer,IC Socket,Relay,Connector.Our parts cover such applications as commercial,industrial, and automotives areas.

We are looking forward to setting up business relationship with you and hope to provide you with the best service and solution. Let us make a better world for our industry!



Contact us

Tel: +86-755-8981 8866 Fax: +86-755-8427 6832

Email & Skype: info@chipsmall.com Web: www.chipsmall.com

Address: A1208, Overseas Decoration Building, #122 Zhenhua RD., Futian, Shenzhen, China



Class 2 Transformers designed for Printed Circuit Mounting



Inherently or Non-Inherently Limited



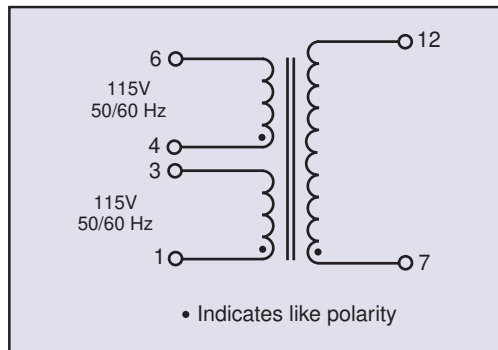
Signal's CL2 transformers are available in printed circuit and chassis mount versions. They are supplied as inherently or non-inherently limited units that are UL 1585 / UL 5085 recognized.

General Specifications

- Power - 2.5 VA to 50 VA
- Dielectric Strength - 4000 Vrms Hipot
- Primaries - Dual primaries, 115/230 V, 50/60 Hz,
- Secondaries - Single secondary
- Class 2 Rating - inherently or non-inherently limited (secondary fuse requirements below)
- Electrostatic Shield - Not necessary, split or dual bobbin construction
- Insulation System - Class F insulation, 155° C
- Flammability Rating - Bobbin and shroud material meet UL 94V0

Agency Certifications

- UL recognized to UL 1585 / UL 5085-3 Class 2, File # E116583
- CSA certified to C22.2 #66.1



Primaries are designed to be used simultaneously. That is, they must be used either series or parallel connected (as one winding).

Part Number	Secondary RMS Rating	Secondary Fuse Required
CL2-2.5R-12	12V @ 0.20A	N/A*
CL2-2.5R-24	24V @ 0.10A	N/A*
CL2-5.0R-12	12V @ 0.42A	N/A*
CL2-5.0R-24	24V @ 0.20A	N/A*
CL2-10R-12	12V @ 0.83A	N/A*
CL2-10R-24	24V @ 0.42A	N/A*
CL2-20-12	12V @ 1.66A	N/A*
CL2-20-24	24V @ 0.833A	N/A*
CL2-30-12	12V @ 2.50A	3.0A**
CL2-30-24	24V @ 1.25A	1.75A**
CL2-50-12	12V @ 4.20A	5.0A**
CL2-50-24	24V @ 2.10A	2.5A**

* Inherently limited
 ** Non-inherently limited
 Maximum secondary fuse value specified
 All primaries are 115/230 V, 50/60 Hz

Custom versions available upon request.

©2015 Signal Transformer Inc. Specifications subject to change without notice. 07.15

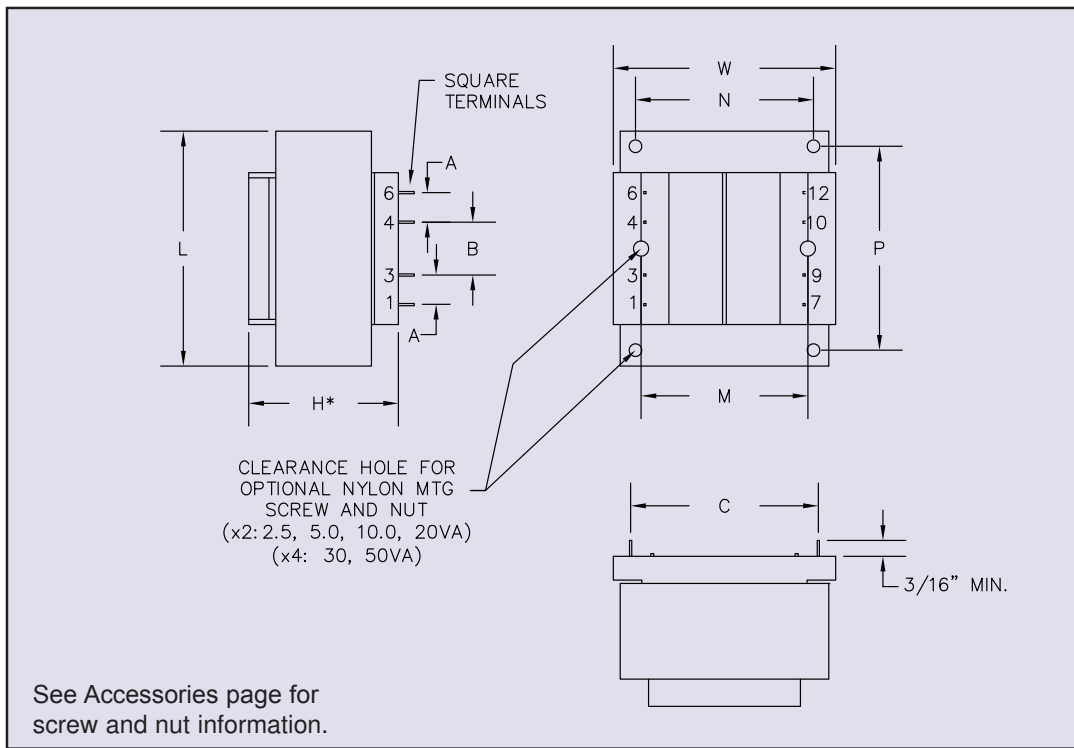


www.signaltransformer.com

500 Bayview Avenue, Inwood, NY 11096
 Toll Free 866-239-5777 • Tel 516-239-5777 • Fax 516-239-7208
 sales@signaltransformer.com • techhelp@signaltransformer.com

Class 2 Transformers designed for Printed Circuit Mounting

Inherently or Non-Inherently Limited



VA	Dimensions						Sq. Pin Dimension	Mounting Dimensions			Mounting Screw		Weight
	L	W	H*	A	B	C		Inches (mm)			Size	Qty	
Size	Inches (mm)							M	N	P			lbs (kg)
2.5	1.62 (41.3)	1.43 (36.5)	1.12 (28.6)	.20 (5.1)	.25 (6.4)	1.00 (25.4)	0.025 (0.64)	1.06 (26.9)	-	-	#4	2	0.25 (0.11)
5.0	1.62 (41.3)	1.43 (36.5)	1.37 (34.9)	.20 (5.1)	.40 (10.2)	1.00 (25.4)	0.025 (0.64)	1.06 (26.9)	-	-	#4	2	0.37 (0.17)
10.0	1.87 (47.6)	1.56 (39.7)	1.37 (34.9)	.20 (5.1)	.40 (10.2)	1.14 (29.0)	0.036 (0.91)	1.25 (31.8)	-	-	#4	2	0.53 (0.24)
20.0	2.25 (57.2)	1.87 (47.6)	1.62 (41.3)	.40 (10.2)	.40 (10.2)	1.46 (37.1)	0.036 (0.91)	1.50 (38.1)	-	-	#4	2	0.90 (0.41)
30.0	2.62 (66.7)	2.18 (55.5)	1.56 (39.7)	.55 (14.0)	.27 (7.0)	1.68 (42.7)	0.045 (1.02)	-	1.75 (44.5)	2.18 (55.5)	#6	4	1.15 (0.52)
50.0	3.00 (76.2)	2.50 (63.5)	1.83 (46.5)	.60 (15.2)	.30 (7.6)	1.90 (48.3)	0.045 (1.02)	-	2.00 (50.8)	2.50 (63.5)	#6	4	1.70 (0.77)

*Note: Dimension H represents the total distance from the seating plane to the uppermost surface, stand offs and/or risers inclusive.

Custom versions available upon request.

©2015 Signal Transformer Inc. Specifications subject to change without notice. 07.15



www.signaltransformer.com

500 Bayview Avenue, Inwood, NY 11096
Toll Free 866-239-5777 • Tel 516-239-5777 • Fax 516-239-7208
sales@signaltransformer.com • techhelp@signaltransformer.com