



Chipsmall Limited consists of a professional team with an average of over 10 year of expertise in the distribution of electronic components. Based in Hongkong, we have already established firm and mutual-benefit business relationships with customers from,Europe,America and south Asia,supplying obsolete and hard-to-find components to meet their specific needs.

With the principle of “Quality Parts,Customers Priority,Honest Operation,and Considerate Service”,our business mainly focus on the distribution of electronic components. Line cards we deal with include Microchip,ALPS,ROHM,Xilinx,Pulse,ON,Everlight and Freescale. Main products comprise IC,Modules,Potentiometer,IC Socket,Relay,Connector.Our parts cover such applications as commercial,industrial, and automotives areas.

We are looking forward to setting up business relationship with you and hope to provide you with the best service and solution. Let us make a better world for our industry!



Contact us

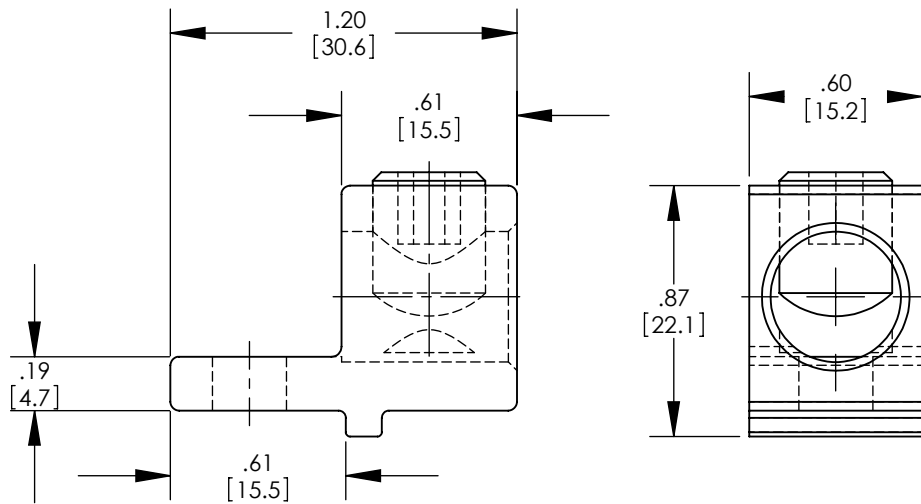
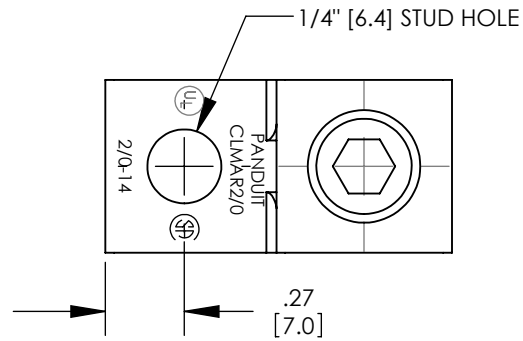
Tel: +86-755-8981 8866 Fax: +86-755-8427 6832

Email & Skype: info@chipsmall.com Web: www.chipsmall.com

Address: A1208, Overseas Decoration Building, #122 Zhenhua RD., Futian, Shenzhen, China



THIS COPY IS PROVIDED ON A RESTRICTED BASIS AND IS NOT TO BE USED IN ANY WAY DETRIMENTAL TO THE INTERESTS OF PANDUIT CORP.



NOTES:

1. MATERIAL: BODY - COPPER, TIN PLATED
SCREW - STEEL, ZINC PLATED
2. DIMENSIONS IN BRACKETS ARE MILLIMETERS
3. TOLERANCES ARE $\pm .02$ [.5] UNLESS OTHERWISE NOTED
4. SEE PACKAGE LABEL FOR TIGHTENING TORQUE INFORMATION
5. PKG QTY: -Q = 25
6. COMPATIBLE WITH PANDUIT UNIVERSAL GROUND BAR PART SERIES UGB2/0.



PART NUMBER	WIRE RANGE COPPER	WIRE STRIP LENGTH	HEX KEY
CLMAR2/0-14-Q	14 AWG - 2/0 AWG	.61 [15.5]	3/16"

REV	DATE	BY	CHK	APR	DESCRIPTION	ECN
01	2/13	JHNU	JHNU	RGB	REVISED TITLE BLOCK	10J017CF-JC
00	4/12	JHNU	JHNU	RGB	DRAWING RELEASED	10J017CF-JC

TITLE COPPER MECHANICAL ANTI-ROTATIONAL CONNECTOR (CLMAR2/0-14-Q) CUSTOMER DRAWING			
ITEM REVISION NAME 10J017CF/01		PANDUIT	
DATASET FILE NAME 10J017CF-JC/01.SLDDRW			
UNLESS OTHERWISE SPECIFIED, DIMENSIONAL TOLERANCES ARE: IN [mm] .X \pm .XXX \pm .XX \pm .02 [.5] ANGLES \pm			MATERIAL SEE NOTES
THIRD ANGLE PROJECTION			DRAWING NUMBER 10J017CF-JC
DRAWN BY JHNU	DATE 4/12	CHK RGB	SCALE NONE
SHEET 1 OF 1			SIZE A