



Chipsmall Limited consists of a professional team with an average of over 10 year of expertise in the distribution of electronic components. Based in Hongkong, we have already established firm and mutual-benefit business relationships with customers from,Europe,America and south Asia,supplying obsolete and hard-to-find components to meet their specific needs.

With the principle of “Quality Parts,Customers Priority,Honest Operation,and Considerate Service”,our business mainly focus on the distribution of electronic components. Line cards we deal with include Microchip,ALPS,ROHM,Xilinx,Pulse,ON,Everlight and Freescale. Main products comprise IC,Modules,Potentiometer,IC Socket,Relay,Connector.Our parts cover such applications as commercial,industrial, and automotives areas.

We are looking forward to setting up business relationship with you and hope to provide you with the best service and solution. Let us make a better world for our industry!



## Contact us

Tel: +86-755-8981 8866 Fax: +86-755-8427 6832

Email & Skype: info@chipsmall.com Web: www.chipsmall.com

Address: A1208, Overseas Decoration Building, #122 Zhenhua RD., Futian, Shenzhen, China



DO NOT SCALE FROM THIS PRINT

CLP-1XX-XX-XX-S-XX

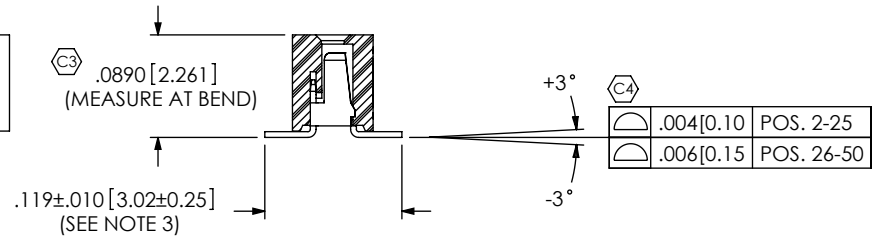
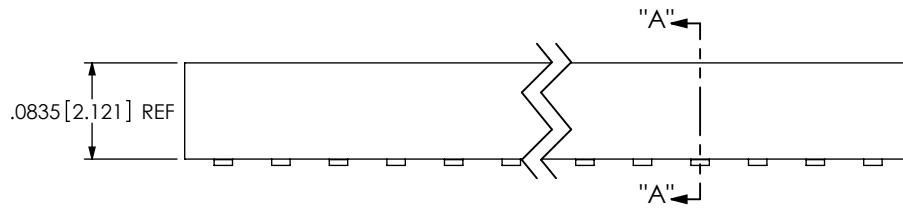
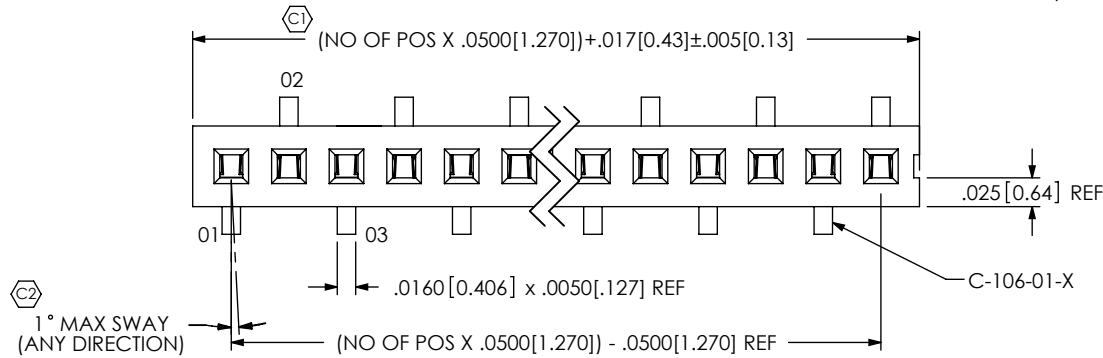
No. OF POSITIONS  
-02 THRU -50

LEAD STYLE SPEC  
-02: SURFACE MOUNT  
(USE C-106-01-X)

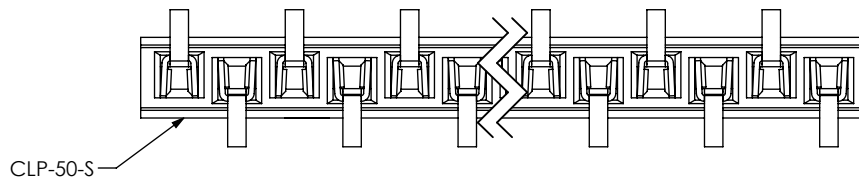
OPTION  
-TR: TAPE AND REEL

BODY SPEC  
-S: SINGLE ROW  
(USE CLP-50-S)

PLATING SPEC  
-G: 10μ" GOLD IN CONTACT AREA,  
3μ" GOLD ON TAIL  
-F: 3μ" SELECTIVE GOLD IN CONTACT AREA,  
MATTE TIN ON TAIL  
-L: 10μ" SELECTIVE GOLD IN CONTACT AREA,  
MATTE TIN ON TAIL  
-FM: 3μ" SELECTIVE GOLD IN CONTACT AREA,  
MATTE TIN ON TAIL

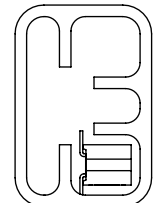


C4	$\frac{1}{2}$	.004[0.10]	POS. 2-25
	$\frac{1}{4}$	.006[0.15]	POS. 26-50



SECTION "A"- "A"

TUBE PACKAGING  
SCALE 3:1



TUBE: PT-1-24-02-65  
PLUG: TP-30

NOTES:

1. (C) PRESENTS A CRITICAL DIMENSION FOR STATISTICAL PROCESS CONTROL.
2. MINIMUM PUSHOUT FORCE: .5 LB.
3. SHEAR TAILS TO DIMENSIONS SHOWN.
4. PARTS TO BE SYMMETRICAL ABOUT C.
5. WILL LOSE ONE POSITION PER CUT TO OBTAIN ODD POSITION PARTS.  
WILL LOSE TWO POSITIONS PER CUT TO OBTAIN EVEN POSITION PARTS.
6. TUBE PACKAGE POSITIONS 5 THROUGH 50 ONLY. POSITIONS 2 THRU 4 ARE TO BE LAYER PACKAGED.
7. .002[0.05] MAX BURR.
8. CUT FLASH TO BE .010[0.25] MAX WITH NO FLASH ALLOWED IN HOLES OR EXTENDING BELOW LEADS.

UNLESS OTHERWISE SPECIFIED,  
DIMENSIONS ARE IN INCHES.  
TOLERANCES ARE:  
DECIMALS ANGLES  
.XX:  $\pm .01$  [.3] 2°  
.XXX:  $\pm .005$  [.13]  
.XXXX:  $\pm .0020$  [.051]

PROPRIETARY NOTE

THIS DOCUMENT CONTAINS INFORMATION  
CONFIDENTIAL AND PROPRIETARY TO  
SAMTEC, INC. AND SHALL NOT BE REPRODUCED  
OR TRANSFERRED TO OTHER DOCUMENTS OR  
DISCLOSED TO OTHERS OR USED FOR ANY  
PURPOSE OTHER THAN THAT WHICH IT WAS  
OBTAINED WITHOUT THE EXPRESSED WRITTEN  
CONSENT OF SAMTEC, INC.



520 PARK EAST BLVD., NEW ALBANY, IN 47150  
PHONE: 812-944-6733 FAX: 812-948-5047  
e-Mail: info@SAMTEC.com code 53322

MATERIAL: DO NOT SCALE DRAWING SHEET SCALE: 6:1  
INSULATOR: LCP, UL 94 VO, COLOR: BLACK  
CONTACT: PHOS BRONZE

DESCRIPTION:  
LOW PROFILE .050 C.L. SINGLE ROW ASM.

DWG. NO. CLP-1XX-XX-XX-S-XX

BY: BRATCHER 06/07/1995 SHEET 1 OF 1