



Chipsmall Limited consists of a professional team with an average of over 10 year of expertise in the distribution of electronic components. Based in Hongkong, we have already established firm and mutual-benefit business relationships with customers from,Europe,America and south Asia,supplying obsolete and hard-to-find components to meet their specific needs.

With the principle of “Quality Parts,Customers Priority,Honest Operation,and Considerate Service”,our business mainly focus on the distribution of electronic components. Line cards we deal with include Microchip,ALPS,ROHM,Xilinx,Pulse,ON,Everlight and Freescale. Main products comprise IC,Modules,Potentiometer,IC Socket,Relay,Connector.Our parts cover such applications as commercial,industrial, and automotives areas.

We are looking forward to setting up business relationship with you and hope to provide you with the best service and solution. Let us make a better world for our industry!



Contact us

Tel: +86-755-8981 8866 Fax: +86-755-8427 6832

Email & Skype: info@chipsmall.com Web: www.chipsmall.com

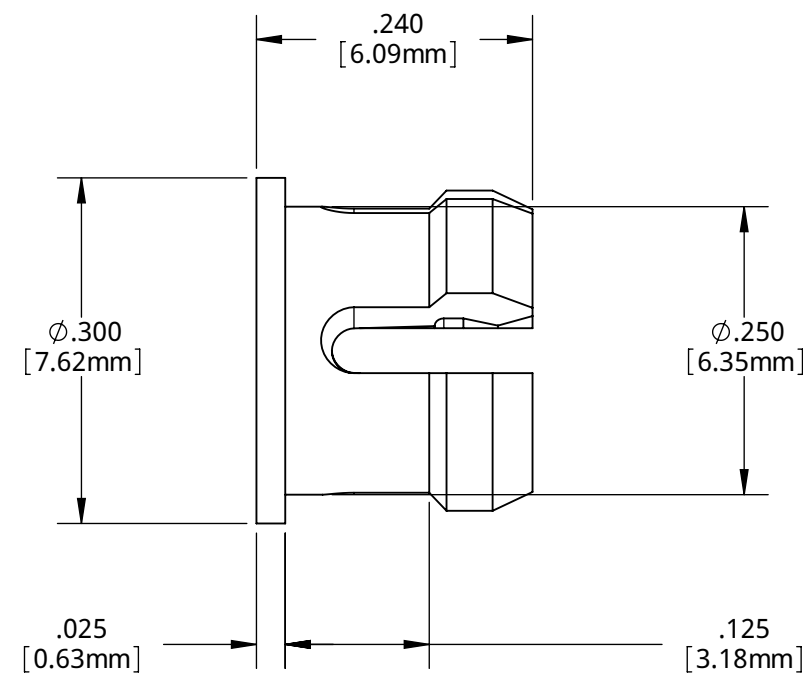
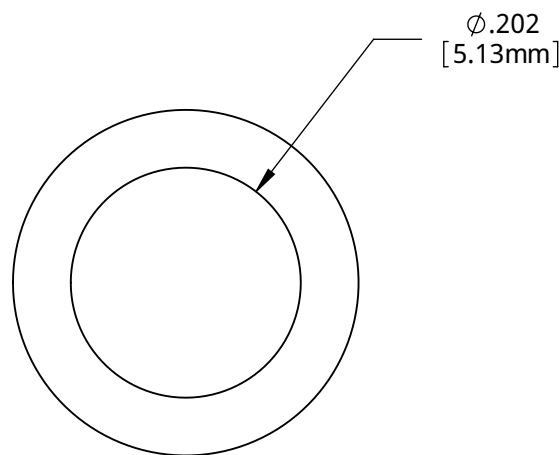
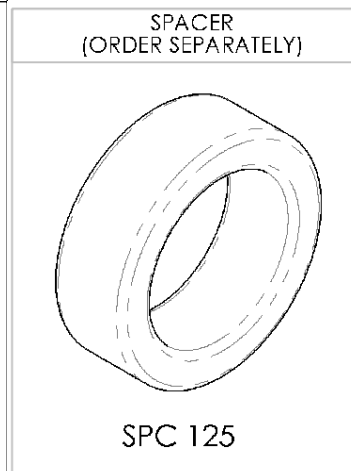
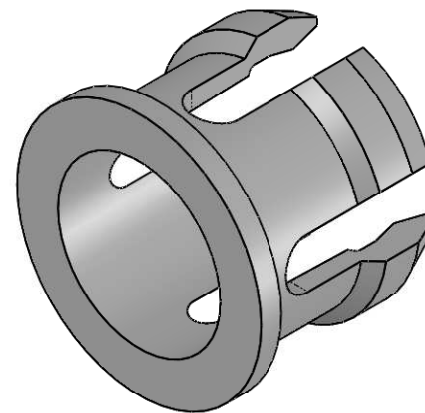
Address: A1208, Overseas Decoration Building, #122 Zhenhua RD., Futian, Shenzhen, China



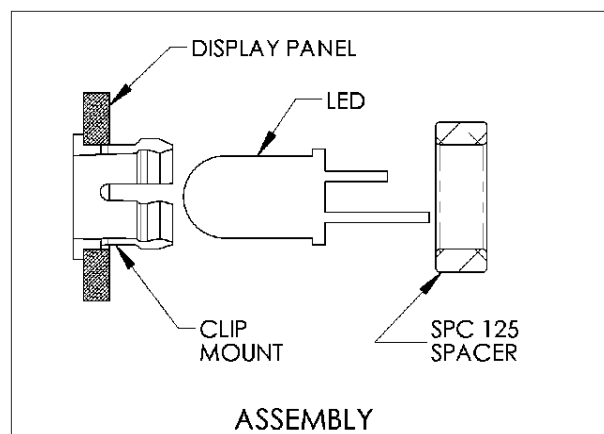
NOTES:

1. MOUNTING: Mounts in a $\phi .250 \pm .002$ [$\phi 6.35\text{mm} \pm .05$] panel hole on .375 [9.5mm] centers. Panel thickness .031 [.8 mm] to .125 [3.18mm]. Panel hole should be deburred, but not chamfered.
2. ASSEMBLY: Insert clip mount through panel hole, insert LED into clip mount, slide spacer over clip mount.
3. U.S. & Foreign Pat. Issued & Pend.

REVISIONS				
EC N#	REV.	DESCRIPTION	DATE	INITIALS
	1	ADD 45-DEG ANGLE, 4 PLCS	10-1-90	JS
	001	REVISED PER EC R111009AZ01	6-20-10	SMU



ORDERING CODE: **CLP 125 BLK**



UNLESS OTHERWISE SPECIFIED DIMENSIONS ARE IN INCHES:		MATERIAL POLYCARBONATE, UL 94-V2, BLACK		VISUAL COMMUNICATIONS COMPANY, INC. 190 Bosstick Boulevard, Suite 101 San Marcos, CA 92069 USA Phone (760) 560-1300 Fax (760) 560-1301 email vccsales@vcclite.com	
ANGLES $\pm 1'$	DECIMALS .X $\pm .020$.XX $\pm .010$.XXX $\pm .005$	FINISH		TITLE: CLIPLITE® CLP 125 MOUNT	
BREAK ALL CORNERS AND SHARP EDGES .030 MAX		THIRD ANGLE PROJECTION		APPROVAL	
PROPRIETARY AND CONFIDENTIAL		THE INFORMATION CONTAINED IN THIS DRAWING IS THE SOLE PROPERTY OF VISUAL COMMUNICATIONS COMPANY, INC. ANY REPRODUCTION IN PART OR AS A WHOLE WITHOUT THE WRITTEN PERMISSION OF VISUAL COMMUNICATIONS COMPANY, INC. IS PROHIBITED.		DATE	
		DRAWN: SMU		6-20-10	
		CHECKED: DZ		6-20-10	
		DO NOT SCALE DRAWING		SCALE: 1:1	
		SIZE		DWG. NO.	
		B		CLP 125 BLK	
		REV		001	
		SHEET 1 OF 1			