



Chipsmall Limited consists of a professional team with an average of over 10 year of expertise in the distribution of electronic components. Based in Hongkong, we have already established firm and mutual-benefit business relationships with customers from,Europe,America and south Asia,supplying obsolete and hard-to-find components to meet their specific needs.

With the principle of “Quality Parts,Customers Priority,Honest Operation,and Considerate Service”,our business mainly focus on the distribution of electronic components. Line cards we deal with include Microchip,ALPS,ROHM,Xilinx,Pulse,ON,Everlight and Freescale. Main products comprise IC,Modules,Potentiometer,IC Socket,Relay,Connector.Our parts cover such applications as commercial,industrial, and automotives areas.

We are looking forward to setting up business relationship with you and hope to provide you with the best service and solution. Let us make a better world for our industry!



Contact us

Tel: +86-755-8981 8866 Fax: +86-755-8427 6832

Email & Skype: info@chipsmall.com Web: www.chipsmall.com

Address: A1208, Overseas Decoration Building, #122 Zhenhua RD., Futian, Shenzhen, China

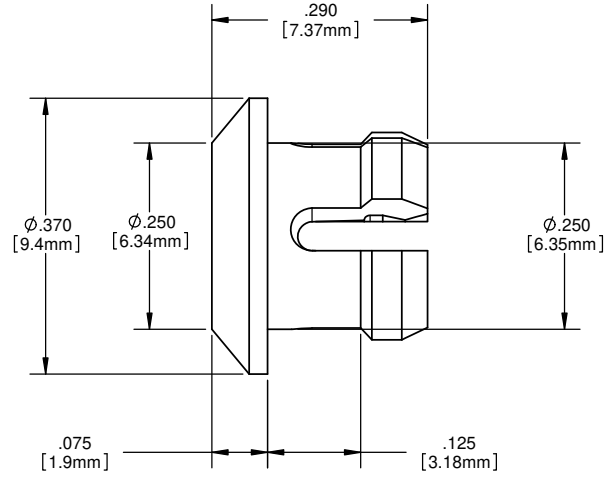
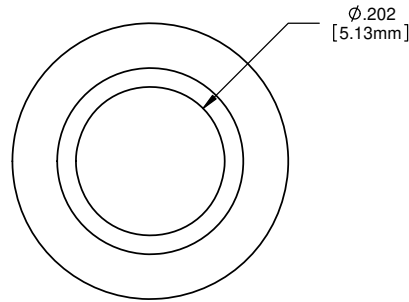
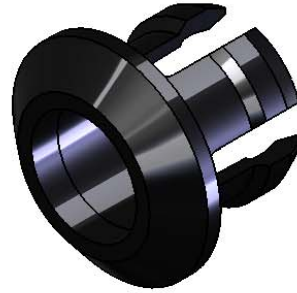


- NOTES:**
1. MOUNTING: MOUNTS IN A $\phi .250" \pm .002$ [$\phi 6.35\text{mm} \pm .05$] PANEL HOLE ON $.375$ [9.5mm] CENTERS
 2. PANEL THICKNESS: $.031$ [8mm] TO $.125$ [3.18mm]
 3. PANEL HOLE SHALL BE DEBURRED, BUT NOT CHAMFERED
 4. ASSEMBLY: INSERT CLIP MOUNT THROUGH PANEL HOLE. INSERT LED THROUGH CLIPMOUNT. SLIDE SPACER OVER CLIPMOUNT.
 5. U.S. AND FOREIGN PATENT ISSUED

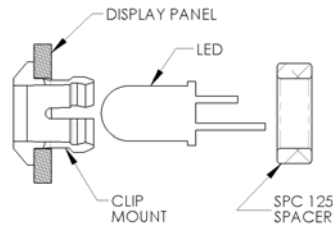
SPACER
(ORDER SEPERATELY)



SPC 125



ORDERING CODE: **CLP 127 BLK**



ASSEMBLY

REVISIONS				
ECN#	REV.	DESCRIPTION	DATE	INITIALS
	1	CHG PARTNO. AND DWG NO.	3-1-90	JS
	001	REVISED PER EC R111009AZ01	6-20-10	SMU
308	002	REVISED PER EC R 050311ED02	5-26-11	KH

<small>DIMENSION STYLE: INCHES (MM) GENERAL TOLERANCES UNLESS OTHERWISE SPECIFIED</small> <small>INCHES: MM</small> <small>X ±.020 ±.508</small> <small>XX ±.010 ±.254</small> <small>XXX ±.005 ±.127</small> <small>ANGLE: 1</small> <small>BREAK ALL CORNERS AND RADIUS UNLESS OTHERWISE SPECIFIED</small> <small>THIRD ANGLE PROJECTION</small> <small>PROPRIETARY AND CONFIDENTIAL</small> <small>THE INFORMATION CONTAINED IN THIS DRAWING IS THE SOLE PROPERTY OF VISUAL COMMUNICATIONS COMPANY, INC. ANY REPRODUCTION IN PART OR AS A WHOLE WITHOUT THE WRITER'S PERMISSION OF VISUAL COMMUNICATIONS COMPANY, INC IS PROHIBITED.</small>	APPROVAL		DATE
	DRAWN	SMU	6-20-10
	CHECKED	DPZ	6-20-10
	MATERIAL		POLYCARBONATE, BLACK UL 94-V2
FINISH		SEE NOTES	
DO NOT SCALE DRAWING			

OPTO ELECTRONICS <small>190 BOSCH BLVD. SUITE 101 SAN MARCOS, CA 92069 U.S.A. PHONE: (760) 560-1300, FAX: (760) 560-1301 EMAIL: vcc@vcclec.com</small>		
TITLE: CLIPMIE® CLP 127 MOUNT		
SIZE B	DWG. NO. CLP 127 BLK	REV 002
SCALE: 6:1		SHEET 1 OF 1