



Chipsmall Limited consists of a professional team with an average of over 10 year of expertise in the distribution of electronic components. Based in Hongkong, we have already established firm and mutual-benefit business relationships with customers from,Europe,America and south Asia,supplying obsolete and hard-to-find components to meet their specific needs.

With the principle of "Quality Parts,Customers Priority,Honest Operation,and Considerate Service",our business mainly focus on the distribution of electronic components. Line cards we deal with include Microchip,ALPS,ROHM,Xilinx,Pulse,ON,Everlight and Freescale. Main products comprise IC,Modules,Potentiometer,IC Socket,Relay,Connector.Our parts cover such applications as commercial,industrial, and automotives areas.

We are looking forward to setting up business relationship with you and hope to provide you with the best service and solution. Let us make a better world for our industry!



Contact us

Tel: +86-755-8981 8866 Fax: +86-755-8427 6832

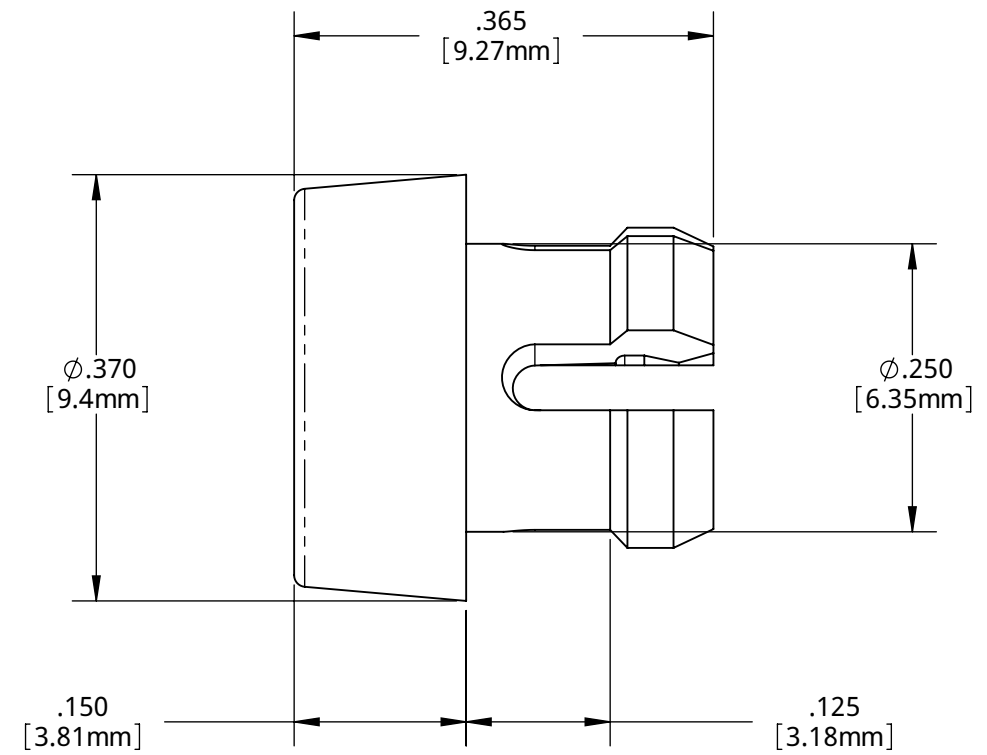
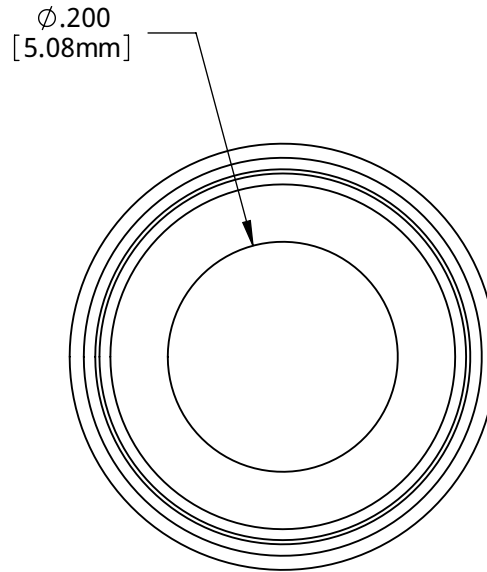
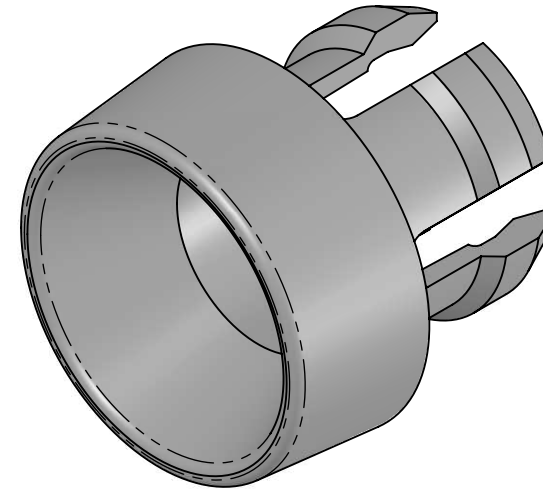
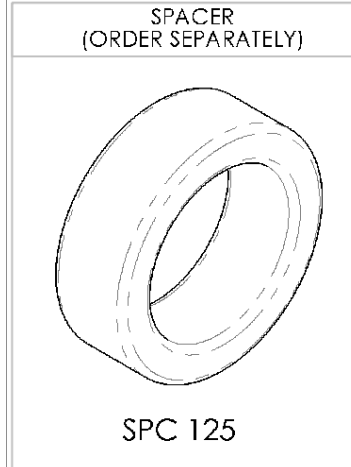
Email & Skype: info@chipsmall.com Web: www.chipsmall.com

Address: A1208, Overseas Decoration Building, #122 Zhenhua RD., Futian, Shenzhen, China

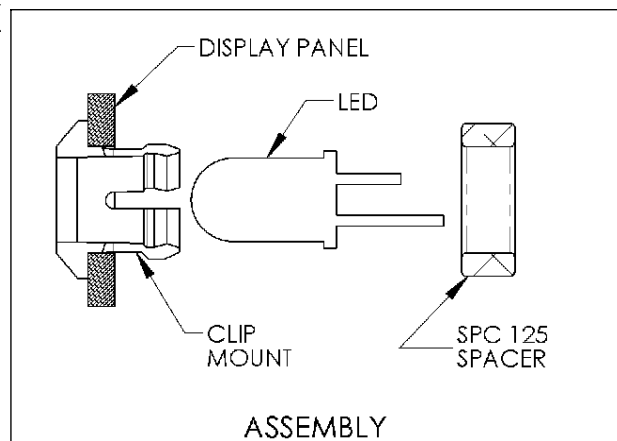


- NOTES:
1. MOUNTING: Mounts in a $\phi .250 \pm .002$ [$\phi 6.35\text{mm} \pm .05$] panel hole on .375 [9.5mm] centers. Panel thickness .031 [.8 mm] to .125 [3.18mm]. Panel hole should be deburred, but not chamfered.
 2. ASSEMBLY: Insert clip mount through panel hole, insert LED into clip mount, slide spacer over clip mount.
 3. U.S. & Foreign Pat. Issued & Pend.

| REVISIONS | | | | |
|-----------|------|----------------------------|---------|----------|
| EC N# | REV. | DESCRIPTION | DATE | INITIALS |
| | 001 | REVISED PER EC R111009AZ01 | 6-20-10 | SMU |



ORDERING CODE: **CLP 129 BLK**



| | | | | | |
|---|--|---|--|---|--|
| UNLESS OTHERWISE SPECIFIED DIMENSIONS ARE IN INCHES: | | MATERIAL POLYCARBONATE, UL 94-V2, BLACK | | VISUAL COMMUNICATIONS COMPANY, INC. 190 Bosstick Boulevard, Suite 101 San Marcos, CA 92069 USA Phone (760) 560-1300 Fax (760) 560-1301 email vccsales@vcclite.com | |
| ANGLES $\pm 1^\circ$ | DECIMALS .X $\pm .020$.XX $\pm .010$.XXX $\pm .005$ | FINISH | | TITLE: CLIPLITE® CLP 129 MOUNT | |
| BREAK ALL CORNERS AND SHARP EDGES .030 MAX | | THIRD ANGLE PROJECTION | | APPROVAL | |
| PROPRIETARY AND CONFIDENTIAL | | DRAWN: SMU | | DATE: 6-20-10 | |
| THE INFORMATION CONTAINED IN THIS DRAWING IS THE SOLE PROPERTY OF VISUAL COMMUNICATIONS COMPANY, INC. ANY REPRODUCTION IN PART OR AS A WHOLE WITHOUT THE WRITTEN PERMISSION OF VISUAL COMMUNICATIONS COMPANY, INC. IS PROHIBITED. | | CHECKED: DZ | | DATE: 6-20-10 | |
| DO NOT SCALE DRAWING | | SCALE: 1:1 | | SHEET 1 OF 1 | |
| DWG. NO. B CLP 129 BLK | | REV 001 | | | |