



Chipsmall Limited consists of a professional team with an average of over 10 year of expertise in the distribution of electronic components. Based in Hongkong, we have already established firm and mutual-benefit business relationships with customers from,Europe,America and south Asia,supplying obsolete and hard-to-find components to meet their specific needs.

With the principle of “Quality Parts,Customers Priority,Honest Operation,and Considerate Service”,our business mainly focus on the distribution of electronic components. Line cards we deal with include Microchip,ALPS,ROHM,Xilinx,Pulse,ON,Everlight and Freescale. Main products comprise IC,Modules,Potentiometer,IC Socket,Relay,Connector.Our parts cover such applications as commercial,industrial, and automotives areas.

We are looking forward to setting up business relationship with you and hope to provide you with the best service and solution. Let us make a better world for our industry!



## Contact us

Tel: +86-755-8981 8866 Fax: +86-755-8427 6832

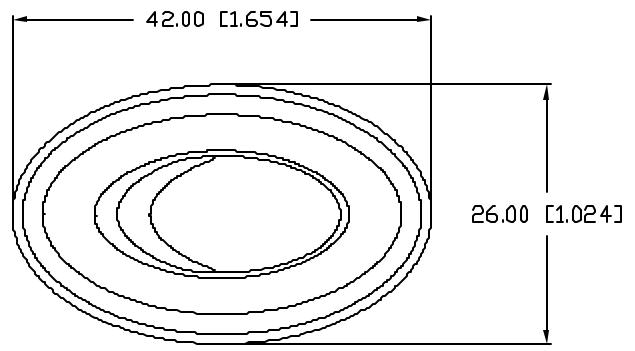
Email & Skype: info@chipsmall.com Web: www.chipsmall.com

Address: A1208, Overseas Decoration Building, #122 Zhenhua RD., Futian, Shenzhen, China

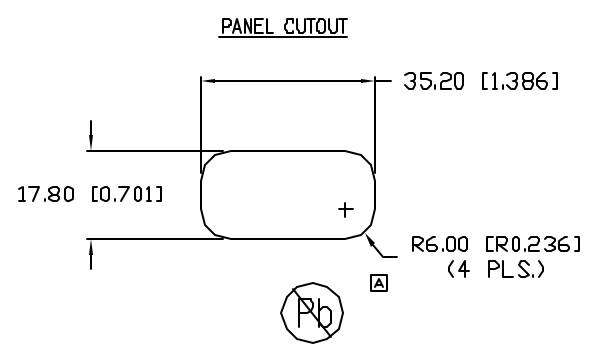
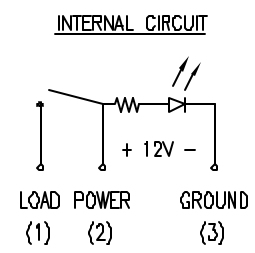
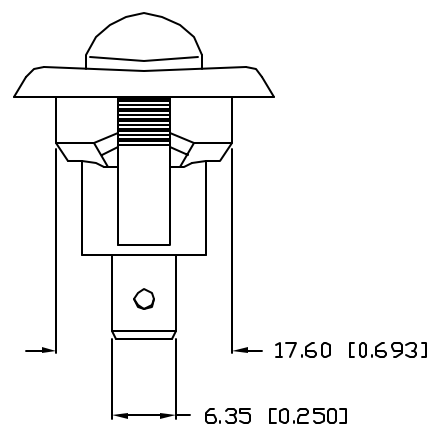
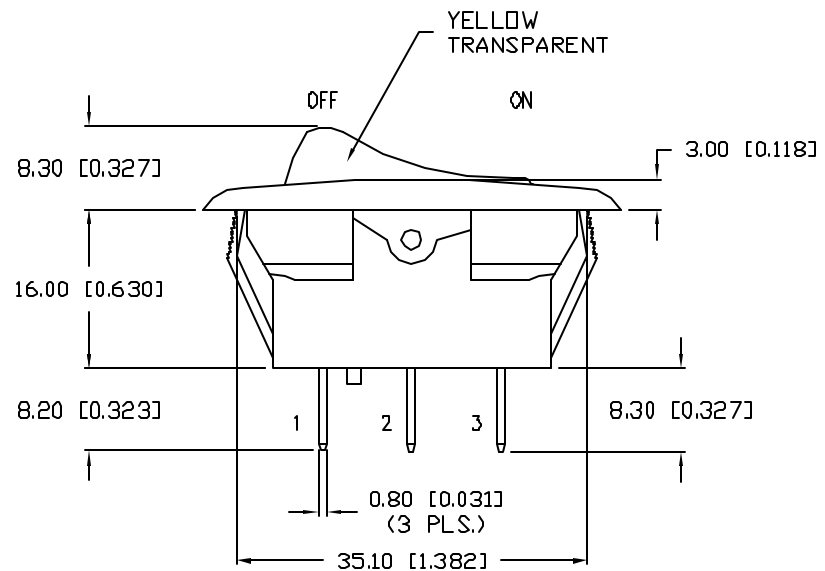


UNCONTROLLED DOCUMENT

|                 |                                     |          |
|-----------------|-------------------------------------|----------|
| PART NUMBER     |                                     | REV.     |
| CLS-R011A12251Y |                                     | A        |
| REV.            | E.C.N. NUMBER AND REVISION COMMENTS | DATE     |
| A               | E.C.N. #11148.                      | 12.08.06 |



| CHARACTERISTICS   |              |
|-------------------|--------------|
| RATING            | 20A AT 12VDC |
| LED COLOR         | YELLOW       |
| CIRCUIT OPERATION | SPST         |
| NO. OF PINS       | 3            |
| SWITCH OPERATION  | ON-OFF       |



\*UNLESS OTHERWISE SPECIFIED TOLERANCES PER DECIMAL PRECISION ARE: X=±1 (±0.039), X.X=±0.5 (±0.020), X.XX=±0.25 (±0.010), X.XXX=±0.127 (±0.005). LEAD SIZE=±0.05 (±0.002), LEAD LENGTH=±0.75 (±0.030). MIN= -0.00 DECIMAL PRECISION MAX.= +0.00 DECIMAL PRECISION

UNCONTROLLED DOCUMENT

|   |                 |
|---|-----------------|
| REV.  | PART NUMBER     |
| A   | CLS-R011A12251Y |
| ILLUMINATED OVAL ROCKER SWITCH, 20A AT 12VDC RATED,<br>YELLOW LED, YELLOW TRANSPARENT LENS. |                 |

**CONFIDENTIAL INFORMATION**  
 THE INFORMATION CONTAINED IN THIS DOCUMENT IS THE PROPERTY OF LUMEX INC. EXCEPT AS SPECIFICALLY AUTHORIZED IN WRITING BY LUMEX INC, THE HOLDER OF THIS DOCUMENT SHALL KEEP ALL INFORMATION CONTAINED HEREIN CONFIDENTIAL AND SHALL PROTECT SAME IN WHOLE OR IN PART FROM DISCLOSURE AND DISSEMINATION TO ALL THIRD PARTIES.

**RELIABILITY NOTE**  
 OUR MANY YEARS OF EXPERIENCE DATA ACCUMULATION INDICATE THAT SOLDER HEAT IS A MAJOR CAUSE OF EARLY AND FUTURE FAILURE. PLEASE PAY ATTENTION TO YOUR SOLDERING PROCESS.

|   |                |
|---|----------------|
| <b>LUMEX</b><br>290 E. HELEN ROAD<br>PALATINE, IL 60067-6976<br>PHONE: +1.847.359.2790<br>US WEB: www.lumex.com<br>TW WEB: www.lumex.com.tw |                |
| DRAWN BY:   | CHECKED BY:    |
| JC  |                |
| APPROVED BY:  | DATE: 12.08.06 |
|   | PAGE: 1 OF 1   |
|   | SCALE: N/A     |