



Chipsmall Limited consists of a professional team with an average of over 10 year of expertise in the distribution of electronic components. Based in Hongkong, we have already established firm and mutual-benefit business relationships with customers from,Europe,America and south Asia,supplying obsolete and hard-to-find components to meet their specific needs.

With the principle of “Quality Parts,Customers Priority,Honest Operation,and Considerate Service”,our business mainly focus on the distribution of electronic components. Line cards we deal with include Microchip,ALPS,ROHM,Xilinx,Pulse,ON,Everlight and Freescale. Main products comprise IC,Modules,Potentiometer,IC Socket,Relay,Connector.Our parts cover such applications as commercial,industrial, and automotives areas.

We are looking forward to setting up business relationship with you and hope to provide you with the best service and solution. Let us make a better world for our industry!



## Contact us

Tel: +86-755-8981 8866 Fax: +86-755-8427 6832

Email & Skype: info@chipsmall.com Web: www.chipsmall.com

Address: A1208, Overseas Decoration Building, #122 Zhenhua RD., Futian, Shenzhen, China



# Safety magnetic sensors

## Magnetic units

### CLS series

CARLO GAVAZZI



- Multiple flux coded magnets
- Rectangular shape (CLS)
- Cylindrical shape plastic (CLSA2, CLSA3)
- Cylindrical shape metal (CLSA2M)

### Product Description

The coded magnet series with SMS Safety magnetic includes multiple flux sensors. Also metallic case is available (CLSA2M).  
rectangular and cylindrical magnets to be used together

### Ordering Key

**CLS A2 M**

Safety Magnetic unit \_\_\_\_\_  
Housing \_\_\_\_\_  
Case Material \_\_\_\_\_

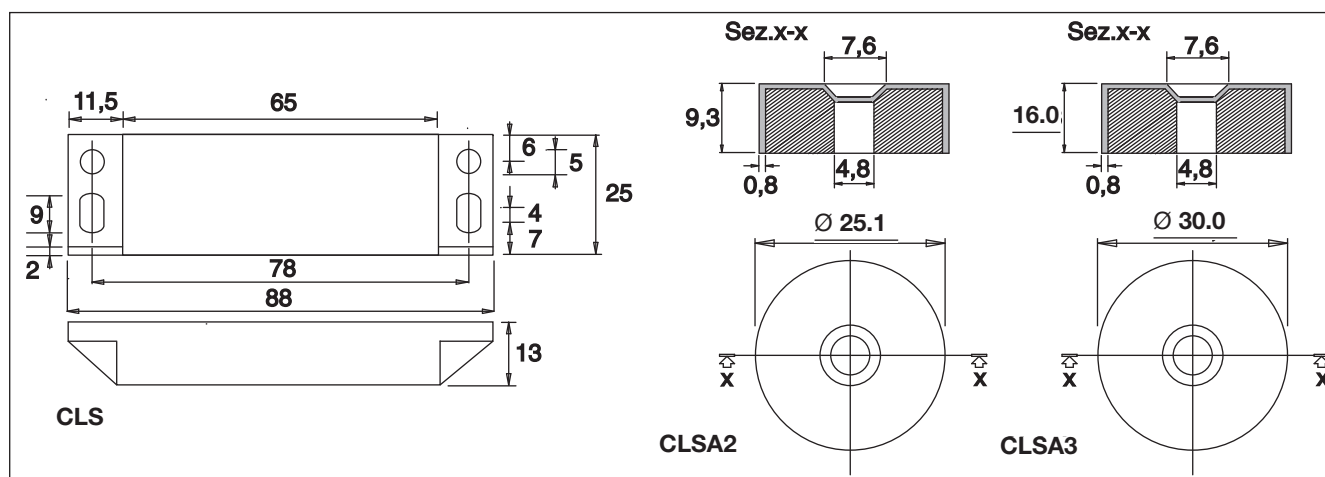
### Type Selection

Body shape	Dimensions	Case material	Item code	Item Code (UL)
Rectangular	88 x 25 x 13 mm	Plastic	<b>CLS</b>	<b>CLS D88 P M0</b>
Cylindrical	Ø 25.1 x 9.3 mm	Plastic	<b>CLSA2</b>	<b>CLS A25 P C0</b>
Cylindrical	Ø 25.1 x 9.3 mm	Stainless steel	<b>CLSA2M</b>	<b>CLS A25 M N0</b>
Cylindrical	Ø 30.0 x 16.0 mm	Plastic	<b>CLSA3</b>	<b>CLS A30 P E0</b>

### General Specifications

Housing	Dimensions	Weight	Material	Environment
CLS	88x25x13 mm	CLS	Plastic	Degree of protection
CLSA2	Ø 25.1 x 9.3 mm	CLSA2	Stainless steel	Operating temperature
CLSA3	Ø 30.0 x 16.0 mm	CLSA2M		Storage temperature
CLSA2M		CLSA3		
CLSA3				

### Dimensions



Safety Magnetic Sensors