



Chipsmall Limited consists of a professional team with an average of over 10 year of expertise in the distribution of electronic components. Based in Hongkong, we have already established firm and mutual-benefit business relationships with customers from,Europe,America and south Asia,supplying obsolete and hard-to-find components to meet their specific needs.

With the principle of “Quality Parts,Customers Priority,Honest Operation,and Considerate Service”,our business mainly focus on the distribution of electronic components. Line cards we deal with include Microchip,ALPS,ROHM,Xilinx,Pulse,ON,Everlight and Freescale. Main products comprise IC,Modules,Potentiometer,IC Socket,Relay,Connector.Our parts cover such applications as commercial,industrial, and automotives areas.

We are looking forward to setting up business relationship with you and hope to provide you with the best service and solution. Let us make a better world for our industry!



Contact us

Tel: +86-755-8981 8866 Fax: +86-755-8427 6832

Email & Skype: info@chipsmall.com Web: www.chipsmall.com

Address: A1208, Overseas Decoration Building, #122 Zhenhua RD., Futian, Shenzhen, China

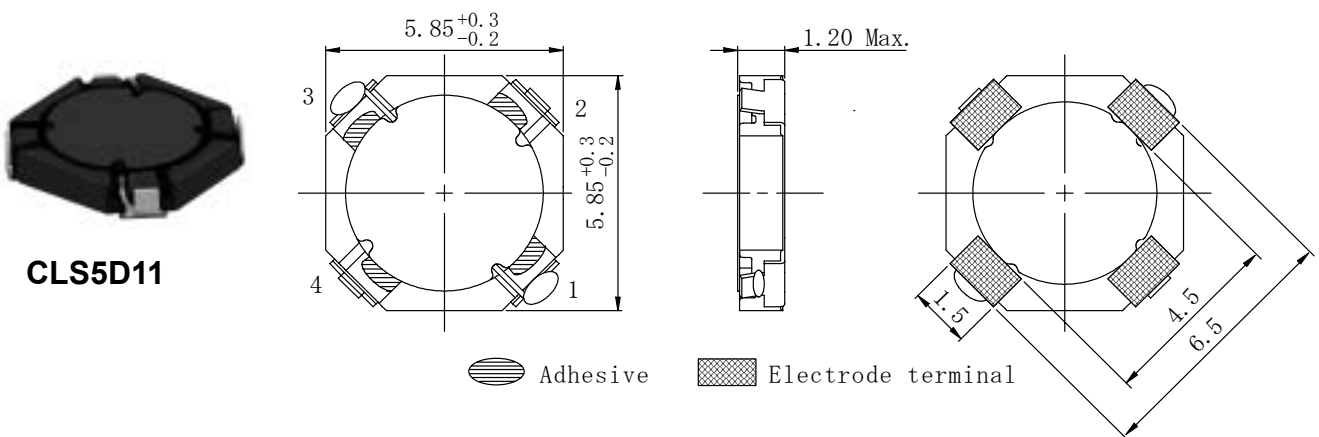
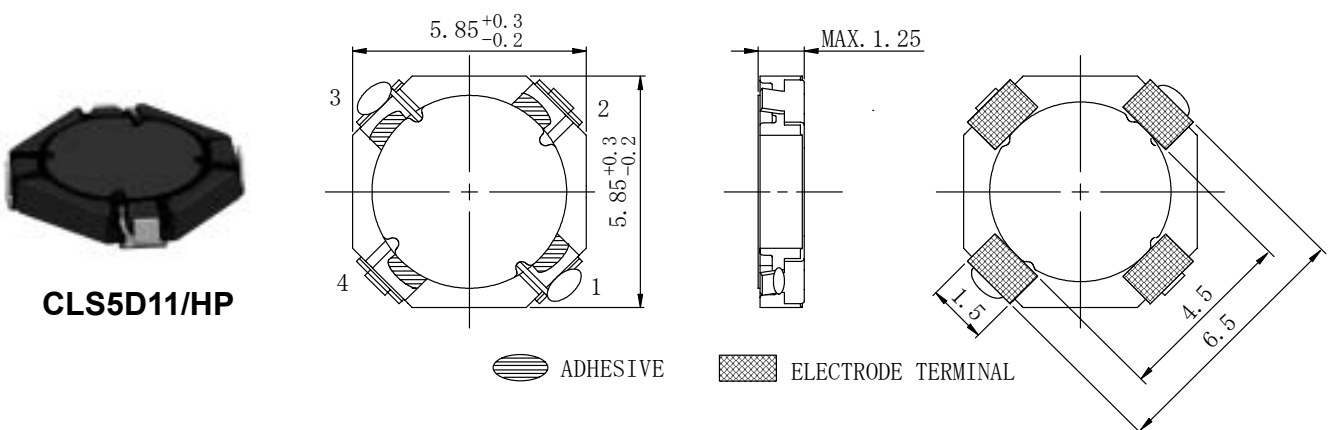


Type: CLS5D11, CLS5D11/HP
◆ Product Description

- 6.15×6.15mm Max.(L×W),1.2mm Max. Height(CLS5D11), 1.25mm Max. Height.(CLS5D11/HP)
- Inductance Range: 4.7~47 μ H(CLS5D11), 2.2~33 μ H(CLS5D11/HP)
- Rated current range: 0.35~1.1A(CLS5D11), 0.33~1.7A(CLS5D11/HP).
- 4 Terminal pins type gives a flexible design as inductors or transformers(SEPIC,ZETA circuit).

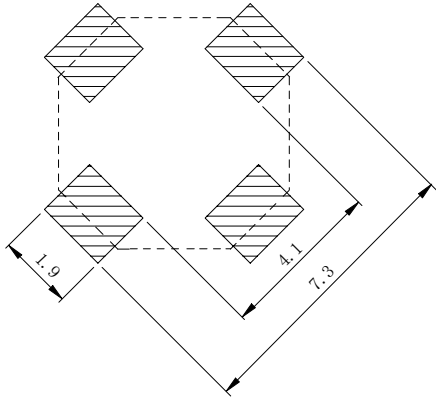
◆ Feature

- Magnetically shielded construction.
- Ideally used in portable devices such as Mobilephone,DSC/DVC,MP3,PDA, etc as DC-DC Converter inductors, specially suitable for White LED drive.
- It is possible to output high voltage and get sufficient accuracy which is hard to obtain with an ordinary inductor.
- RoHS Compliance

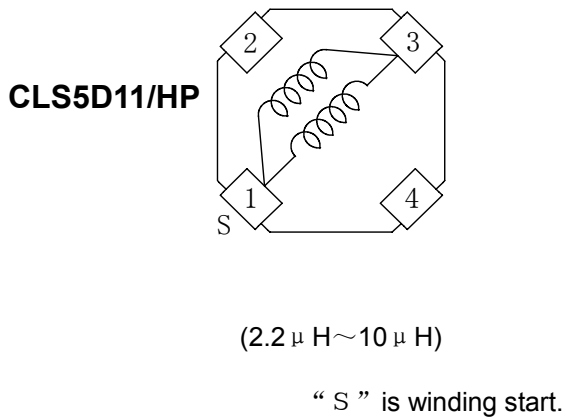
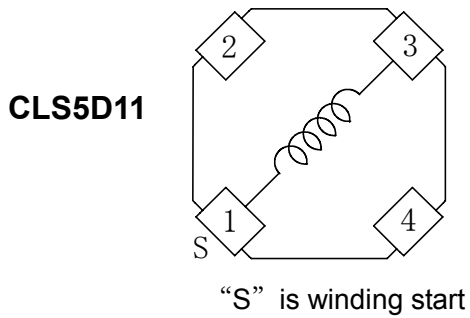
◆ Dimensions (mm)

CLS5D11

CLS5D11/HP

Type: CLS5D11, CLS5D11/HP

◆ Land Pattern (mm)



◆ Schematics(Bottom)



Type: CLS5D11, CLS5D11/HP
◆ Specification(CLS5D11)

Part Name ※	Stamp	Inductance (μ H) [Within] 100kHz/1V	D.C.R.(m Ω) Max.(Typ.) (at 20°C)	Saturation current (mA) (at 20°C)※1	Temperature rise current (mA) ※2
CLS5D11NP-4R7N□	4R7	4.7 \pm 30%	120(95)	1100	1100
CLS5D11NP-6R8N□	6R8	6.8 \pm 30%	160(130)	950	900
CLS5D11NP-10 \emptyset N□	100	10 \pm 30%	210(170)	830	800
CLS5D11NP-15 \emptyset N□	150	15 \pm 30%	310(250)	700	650
CLS5D11NP-22 \emptyset N□	220	22 \pm 30%	450(360)	570	530
CLS5D11NP-33 \emptyset N□	330	33 \pm 30%	620(500)	450	420
CLS5D11NP-470N□	470	47 \pm 30%	930(750)	380	350

◆ Specification(CLS5D11/HP)

Part Name ※	Stamp	Inductance [Within] 100kHz/1V	D.C.R.(m Ω) Max.(Typ.) (at 20°C)	Saturation current (mA) (at 20°C)※1	Temperature rise current (mA) ※2
CLS5D11HPNP-2R2N□	2R2	2.2 μ H \pm 30%	70(55)	2000	1700
CLS5D11HPNP-3R0N□	3R0	3.0 μ H \pm 30%	80(63)	1900	1550
CLS5D11HPNP-4R7N□	4R7	4.7 μ H \pm 30%	120(95)	1500	1100
CLS5D11HPNP-6R8N□	6R8	6.8 μ H \pm 30%	170(135)	1300	950
CLS5D11HPNP-10 \emptyset N□	100	10 μ H \pm 30%	240(190)	1000	750
CLS5D11HPNP-15 \emptyset N□	150	15 μ H \pm 30%	390(310)	850	600
CLS5D11HPNP-22 \emptyset N□	220	22 μ H \pm 30%	560(450)	650	450
CLS5D11HPNP-33 \emptyset N□	330	33 μ H \pm 30%	920(730)	520	330

※ Description of Part Name

CLS5D11HPNP-2R2N□

- B Box
- C Carrier Tape

※1. Saturation current: The DC current at which the inductance decreases to 65% of it's nominal value.

 ※2. Temperature rise current: The DC current at which the temperature rise is $\Delta t=40^{\circ}\text{C}$. ($T_a=20^{\circ}\text{C}$).