



Chipsmall Limited consists of a professional team with an average of over 10 year of expertise in the distribution of electronic components. Based in Hongkong, we have already established firm and mutual-benefit business relationships with customers from,Europe,America and south Asia,supplying obsolete and hard-to-find components to meet their specific needs.

With the principle of “Quality Parts,Customers Priority,Honest Operation,and Considerate Service”,our business mainly focus on the distribution of electronic components. Line cards we deal with include Microchip,ALPS,ROHM,Xilinx,Pulse,ON,Everlight and Freescale. Main products comprise IC,Modules,Potentiometer,IC Socket,Relay,Connector.Our parts cover such applications as commercial,industrial, and automotives areas.

We are looking forward to setting up business relationship with you and hope to provide you with the best service and solution. Let us make a better world for our industry!



Contact us

Tel: +86-755-8981 8866 Fax: +86-755-8427 6832

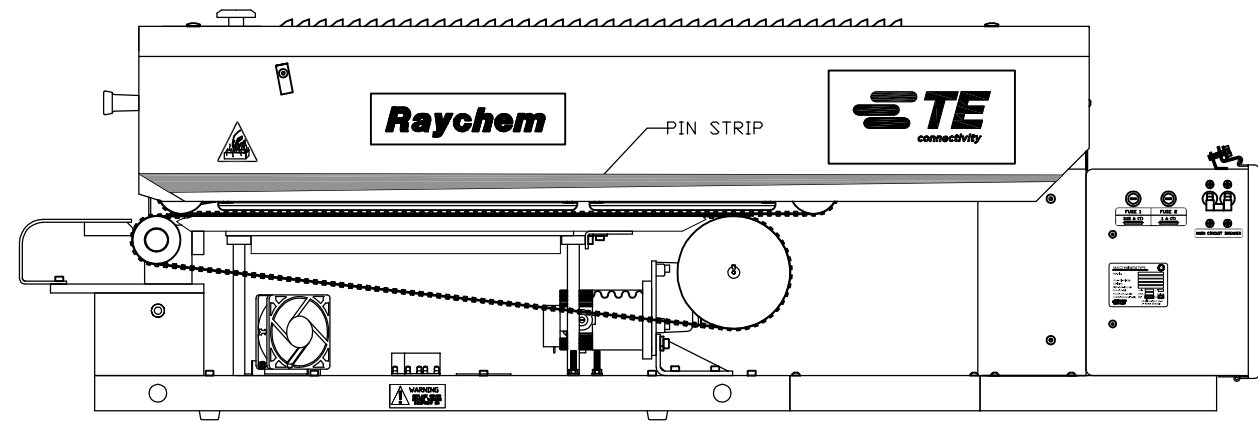
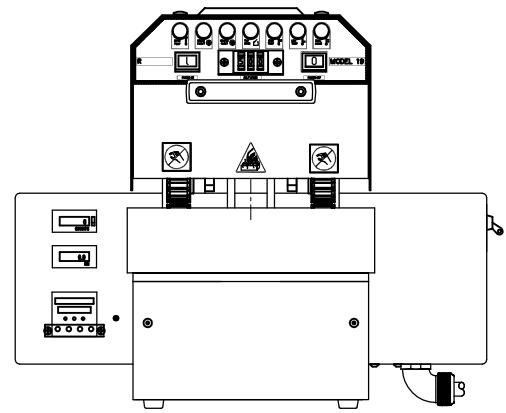
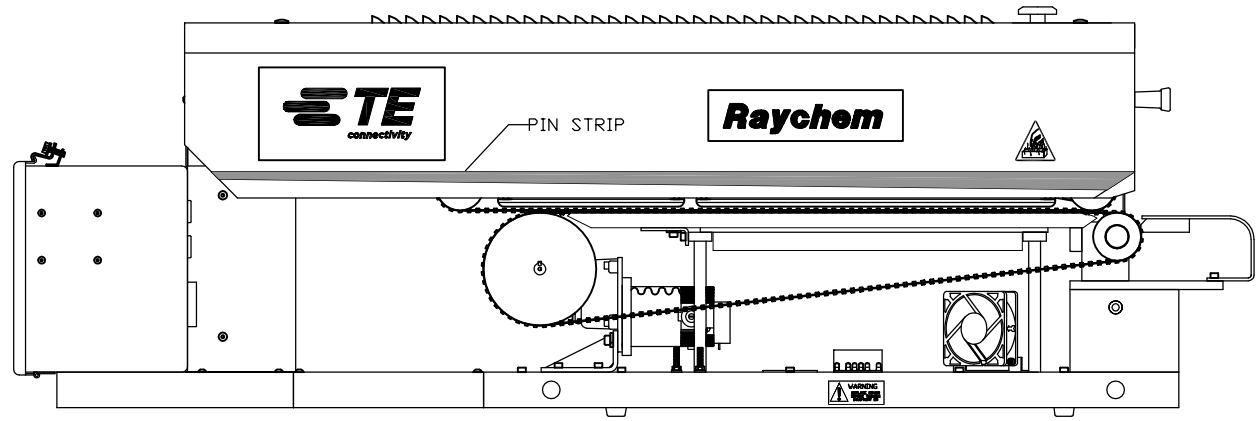
Email & Skype: info@chipsmall.com Web: www.chipsmall.com

Address: A1208, Overseas Decoration Building, #122 Zhenhua RD., Futian, Shenzhen, China



THIS DRAWING IS UNPUBLISHED.		RELEASED FOR PUBLICATION	
© COPYRIGHT BY TYCO ELECTRONICS CORPORATION. ALL INTERNATIONAL RIGHTS RESERVED.			
PART NUMBER	REV	FIRST USED	
1190562-8	B	-	

REVISIONS				
P	LTR	DESCRIPTION	DATE	APVD
B		ECR-15-014656	11JAN2016	MY RK



NOTE:

1. REF DRAWING 14-81262-1 FOR SPARE PARTS.

THIS DRAWING IS A CONTROLLED DOCUMENT.		DWN M. YOUNGER 26FEB2014	TE Connectivity																		
DIMENSIONS: mm		CHK R. KEENEY 26FEB2014	NAME MODEL 19 BELT HEATER HEAT-SHRINKABLE TUBING CONVEYOR HEATER 6-INCH VERSION 208-240 VOLTS																		
TOLERANCES UNLESS OTHERWISE SPECIFIED:		APVD R. KEENEY 26FEB2014	PRODUCT SPEC ---																		
<table border="1"> <tr><td>0</td><td>PLC</td><td>± .-</td></tr> <tr><td>1</td><td>PLC</td><td>± .-</td></tr> <tr><td>2</td><td>PLC</td><td>± .-</td></tr> <tr><td>3</td><td>PLC</td><td>± .-</td></tr> <tr><td>4</td><td>PLC</td><td>± .-</td></tr> <tr><td colspan="2">ANGLES</td><td>± .-</td></tr> </table>		0	PLC	± .-	1	PLC	± .-	2	PLC	± .-	3	PLC	± .-	4	PLC	± .-	ANGLES		± .-	APPLICATION SPEC ---	
0	PLC	± .-																			
1	PLC	± .-																			
2	PLC	± .-																			
3	PLC	± .-																			
4	PLC	± .-																			
ANGLES		± .-																			
MATERIAL FINISH		SIZE A2	CAGE CODE 00779	DRAWING NO C=1190562-8																	
		WEIGHT 86 kg	RESTRICTED TO ---																		
		CUSTOMER DRAWING		SCALE SHEET 1 OF 1 REV B																	