



Chipsmall Limited consists of a professional team with an average of over 10 year of expertise in the distribution of electronic components. Based in Hongkong, we have already established firm and mutual-benefit business relationships with customers from,Europe,America and south Asia,supplying obsolete and hard-to-find components to meet their specific needs.

With the principle of “Quality Parts,Customers Priority,Honest Operation,and Considerate Service”,our business mainly focus on the distribution of electronic components. Line cards we deal with include Microchip,ALPS,ROHM,Xilinx,Pulse,ON,Everlight and Freescale. Main products comprise IC,Modules,Potentiometer,IC Socket,Relay,Connector.Our parts cover such applications as commercial,industrial, and automotives areas.

We are looking forward to setting up business relationship with you and hope to provide you with the best service and solution. Let us make a better world for our industry!



Contact us

Tel: +86-755-8981 8866 Fax: +86-755-8427 6832

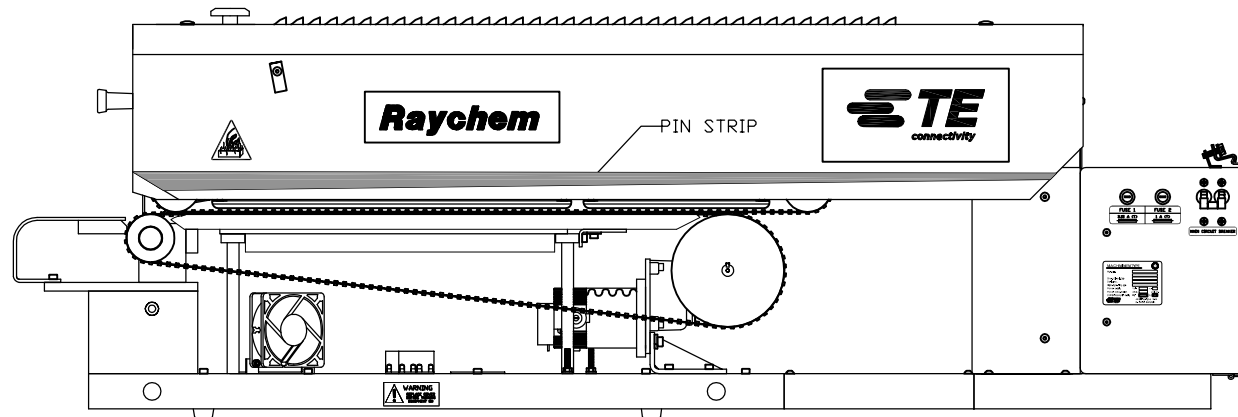
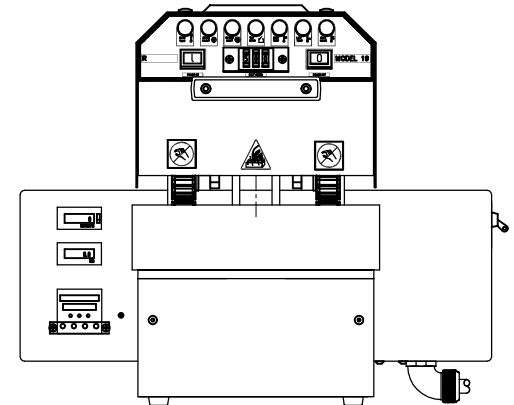
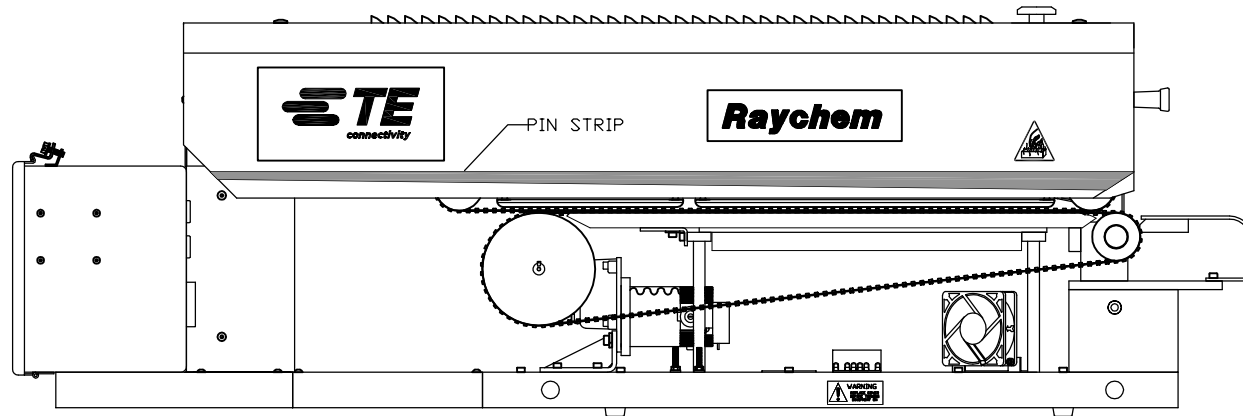
Email & Skype: info@chipsmall.com Web: www.chipsmall.com

Address: A1208, Overseas Decoration Building, #122 Zhenhua RD., Futian, Shenzhen, China



THIS DRAWING IS UNPUBLISHED.		RELEASED FOR PUBLICATION	
© COPYRIGHT BY TYCO ELECTRONICS CORPORATION. ALL INTERNATIONAL RIGHTS RESERVED.			
PART NUMBER	REV	FIRST USED	
1-1200141-3	B		-

REVISIONS				
P	LTR	DESCRIPTION	DATE	BY
B		ECR-15-014656	11JAN2016	MY RK



NOTE:

- REF DRAWING 14-81262-1 FOR SPARE PARTS.

THIS DRAWING IS A CONTROLLED DOCUMENT.		DWN M. YOUNGER	06FEB2014		TE Connectivity
		CHK R. KEENEY	26FEB2014		
DIMENSIONS: mm		TOLERANCES UNLESS OTHERWISE SPECIFIED:		NAME MODEL 19 BELT HEATER	
		0 PLC ± - 1 PLC ± - 2 PLC ± - 3 PLC ± - 4 PLC ± - ANGLES ± -		HEAT-SHRINKABLE TUBING CONVEYOR HEATER	
MATERIAL		FINISH		SS VERSION 208-240 VOLTS	
				SIZE A2	RESTRICTED TO
				CAGE CODE 00779	DRAWING NO C=1-1200141-3
				WEIGHT 86 kg	
CUSTOMER DRAWING				SCALE	SHEET 1 OF 1
				REV B	