



Chipsmall Limited consists of a professional team with an average of over 10 year of expertise in the distribution of electronic components. Based in Hongkong, we have already established firm and mutual-benefit business relationships with customers from,Europe,America and south Asia,supplying obsolete and hard-to-find components to meet their specific needs.

With the principle of “Quality Parts,Customers Priority,Honest Operation,and Considerate Service”,our business mainly focus on the distribution of electronic components. Line cards we deal with include Microchip,ALPS,ROHM,Xilinx,Pulse,ON,Everlight and Freescale. Main products comprise IC,Modules,Potentiometer,IC Socket,Relay,Connector.Our parts cover such applications as commercial,industrial, and automotives areas.

We are looking forward to setting up business relationship with you and hope to provide you with the best service and solution. Let us make a better world for our industry!



Contact us

Tel: +86-755-8981 8866 Fax: +86-755-8427 6832

Email & Skype: info@chipsmall.com Web: www.chipsmall.com

Address: A1208, Overseas Decoration Building, #122 Zhenhua RD., Futian, Shenzhen, China



THIS DRAWING IS UNPUBLISHED. RELEASED FOR PUBLICATION
 © COPYRIGHT - By - ALL RIGHTS RESERVED.

LOC	DIST	REVISIONS				
A	00	P	LTR	DATE	DWN	APVD
		A	RELEASED	27FEB2014	MY	RK

PART NUMBER	REV	FIRST USED
1481262-1	A	-

- REPLACES DOUBLE SIDED TIMING BELTS ON RIGHT SIDE ONLY OF UNIT.
- REPLACES IDLER PULLY BEARINGS ON UPPER CHAMBER REAR, NEW PULLY MOUNTING BLOCK.
- CONNECTS UPPER LEFT AND RIGHT SIDE BELTS FOR POSITIVE DRIVE FROM LEFT SIDE TIMEING BELTS.
- REPLACES UPPER REAR IDLER PULLEYS, KEYED TO DRIVE SHAFT.
- REPLACES STANDARD HEATERS, ADDITIONAL MOUNTING HOLES ALSO REQUIRED.
- REPLACES STANDARD HEATERS, ADDITIONAL MOUNTING HOLES ALSO REQUIRED.
- SPARE PART APPLIES TO SS VERSION ONLY P/N 1-1200141-3.
- SPARE PART APPLIES TO 6" VERSION ONLY P/N 1190562-8.
- SPARE PART APPLIES TO STANDARD VERSION ONLY P/N 6-1195592-4.
- A RING TERMINAL KIT IS AVAILABLE FOR ALL UNITS, THE P/N FOR THIS KIT IS 108277-000.
- FOR THE 6" VERSION (1190562-8) A KIT IS AVAILABLE FOR MODIFYING THE PROCESSOR TO ACCEPT 6" HEATING ELEMENTS THE PART NUMBER FOR THIS KIT IS 295139-000.

1	-	E25750-000	UPPER HEATER ELEMENT 1.75	48
1	-	956470-000	LOWER HEATER ELEMENT 1.75	47
1	-	642514-000	UPPER DRIVE PULLEYS	46
1	-	645068-000	UPPER DRIVE SHAFT	45
1	-	802452-000	UPPER DRIVE SHAFT BALL BEARINGS	44
1	-	A72751-000	FLAT BELTS	43
1	-	649230-000	TIMER MODULE	42
1	-	165005-000	ON SWITCH ASSEMBLY	41
1	-	128877-000	OFF SWITCH ASSEMBLY	40
1	-	958053-000	ELEC SUBASSY, TRANSFORMER, 43 VA- M19 BELT HEATER	39
8	FT	611457-000	CABLE, HARMONIZED EUROPEAN RUBBER CORDAGE, 3C/14AWG (2.5 mm ²), 750V, BLK	38
1	-	641271-000	SOLID STATE RELAY, 24-330VAC, 50A OUTPUT, 4-20VDC INPUT, W/SAFETY COVER	37
1	-	514357-000	DIGITAL POTENTIOMETER, 3 DIGIT, 5K, 2 WATT, 0.1%	36
1	-	189813-000	BARRIER TERMINAL BOARD FOR KBMM	35
1	-	267479-000	HOREPOWER RESISTOR, 0.51 OHM, 5 WATT	34
1	-	146903-000	SCR MOTOR CONTROLLER W/ARMATURE FEEDBACK, 125 V 50/60 hZ INPUT (KBMM-125)	33
1	-	463715-000	TEMPERATURE CONTROLLER	32
1	-	812785-000	TIMER, DELAY ON BREAK, 20 MINUTE DELAY TIME, 1A, 120 VAC 50/60 Hz	31
1	-	384673-000	BI-METAL OVER EMPEATURE THERMAL SWITCH KIT	30
1	-	324201-000	SOLENOID, 13 WATT, 12 VDC, CONTINUOUS DUTY, DELTROL MODEL D-70	29
4	-	454165-000	FAN, BALL BEARING, 46 CFM, 12VDC, 3.15 x 3.15 x 0.98"	28
1	-	227805-000	PHOTO SENSOR, 24-240VAC 50/60 Hz, 12-240 VDC, RETROREFLECTIVE, SPDT OUTPUT	27
2	-	353155-000	RELAY, DPDT, 10A, 220VAC CONTACTS, 120 VAC 50/60 Hz COIL, VDE APPROVED	26
2	-	882465-000	RELAY, DPST, 25A, 220VAC CONTACTS, 110 VAC 50/60Hz COIL, VDE APPROVED	25
2	-	832785-000	RELAY, 4PDT, 10A, 220VAC CONTACTS, 120 VAC 50/60Hz COIL, VDE APPROVED	24
1	-	051731-000	PB OPERATOR, 22.5mm IEC, RED MUSHROOM HEAD, 2 POS. TWIST TO RELEASE	23
1	-	156817-000	FUSE, 1 1/4" x 1/4" GLASS TUBE, TIME DELAY, 250V, 3A	22
1	-	858515-000	FUSE, 1 1/4" x 1/4" GLASS TUBE, TIME DELAY, 250V, 1A	21
1	-	073117-000	FUSE, IEC 5x20mm, LOW BREAKING, TIME DELAY, 250V, 1A	20
1	-	919753-000	FUSE, IEC 5x20mm, LOW BREAKING, TIME DELAY, 250V, 3.15A	19
2	-	369517-000	FUSE HOLDER, IEC 5x20mm FUSES, 10A, 250VAC, 16A, 120VAC, VDE APPROVED	18
1	-	657123-000	TRANSFORMER, 300 VA-210, 230, 250V INPUT, 115 V OUTPUT, 50/60 Hz, VDE APPROVED	17
1	-	909813-000	LINE FILTER, 120/250 VAC, 20A, 50/60 Hz	16
1	-	150485-000	CIRCUIT BREAKER, 2 POLE, 20A, 250VAC, 50/60 Hz, UL, CSA, VDE APPROVED	15
1	-	295741-000	MAINTENCE MOUNTING PIN WITH BRACKET	14
2	-	309229-000	UPPER RAIL BACKING PAD WITH TAPE	13
4	-	861021-000	TIMING BELT- 60", 3/8" PITCH, 3/4" WIDTH- M19	12
1	-	646794-000	ENCODER WITHOUT MOTOR, NOT SHOWN	11
1	-	A04349-000	GEARMOTOR, 468:1, RT. ANGLE, DOUBLE SHAFT, 90VDC, 0.25A, 0.02HP MODEL HEDS-5600-E06 QUADRATURE W/ENCODER	10
1	-	369475-000	HEATER ELEMENT, QUAD TRACE IR, 6.00" x 14.12" x 0.81" 1580 W, 220 VAC	9
1	-	233183-000	HEATER ELEMENT, QUAD TRACE IR, 6.00" x 14.12" x 0.81" 1580 W, 220 VAC, W/TYPE K T/C	8
1	-	322965-000	HEATER ELEMENT, DOUBLE TRACE IR, 3.75" x 14.12" x 0.81", 1580 W, 220 VAC	7
1	-	501937-000	HEATER ELEMENT, DOUBLE TRACE IR, 3.75" x 14.12" x 0.81", 1580 W, 220 VAC, W/TYPE K T/C	6
1	-	839871-000	LOCKOUT GATE- M19	5
1	-	F61949-000	MOTOR MOUNTING BRACKET- M19	4
2	-	546137-000	PULLY, ALUM.- TIMING BELT, Ø4.78, 3/8" PITCH, 40 TOOTH, 1/2" HUB W/KEYWAY	3
6	-	841201-000	IDLER PULLY WITH BEARING INSTALLED	2
2	-	432237-000	LOWER BELT BACKING GUIDE	1

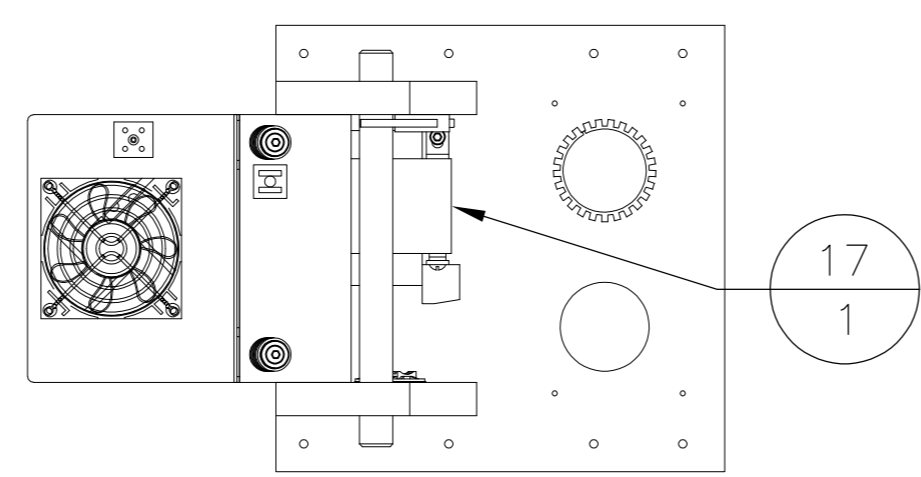
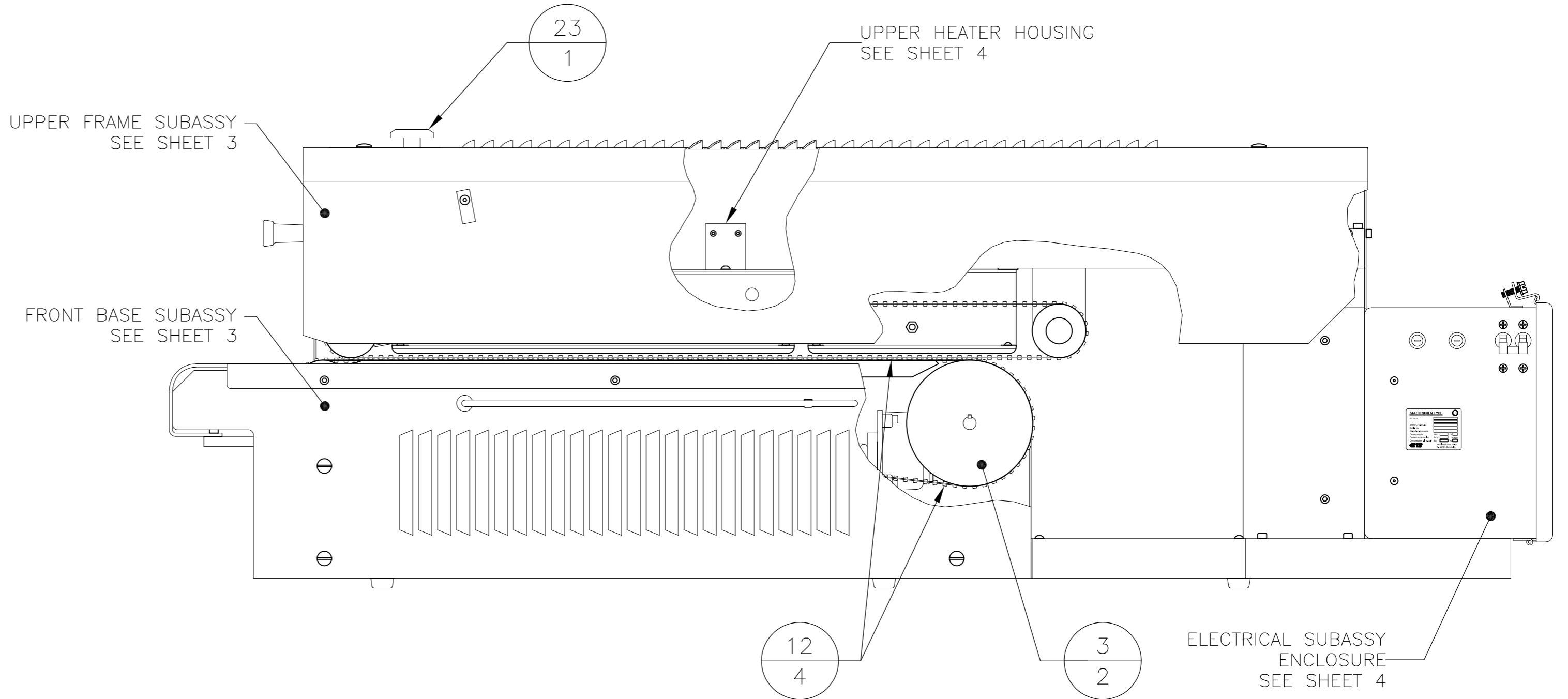
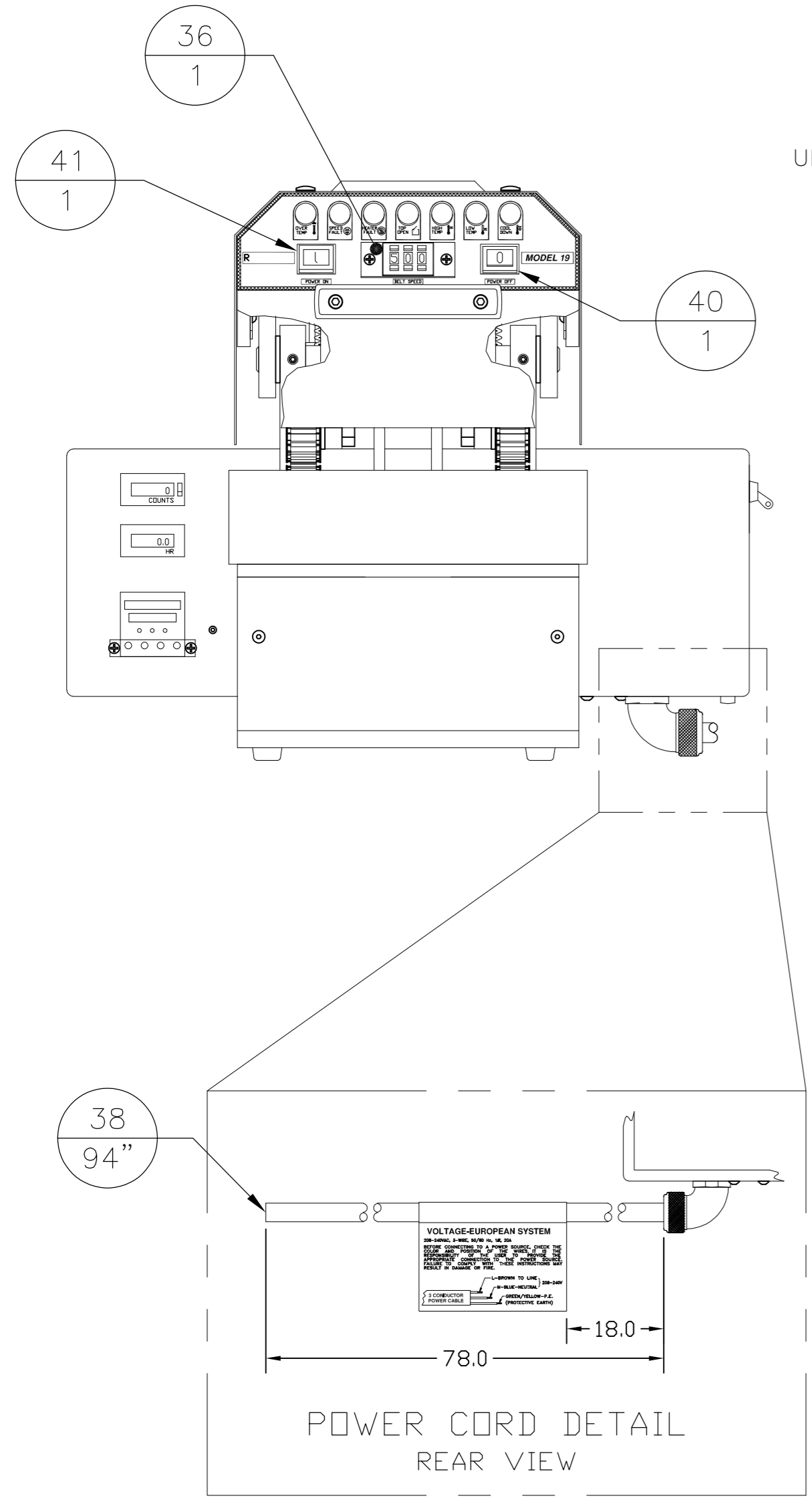
QTY REQD PER ASSY	-1	U/M	PART NO	DESCRIPTION	ITEM NO
-------------------	----	-----	---------	-------------	---------

ITEM NUMBER
 QUANTITY OR LENGTH
 BALLOON LEGEND

THIS DRAWING IS A CONTROLLED DOCUMENT.		DWN	M. YOUNGER	07FEB2014
FINISH		CHK	R. KEENEY	26FEB2014
DIMENSIONS: mm		APVD	R. KEENEY	26FEB2014
TOLERANCES UNLESS OTHERWISE SPECIFIED:		NAME		
0 PLC ± -	1 PLC ± -	M. YOUNGER		
2 PLC ± -	3 PLC ± -	R. KEENEY		
4 PLC ± -	ANGLES ± -	PRODUCT SPEC		
MATERIAL		APPLICATION SPEC		
FINISH		WEIGHT		
		A2 00779		
		C=1481262		
		CUSTOMER DRAWING		
		SCALE		
		SHEET 1 of 4		
		REV A		

THIS DRAWING IS UNPUBLISHED. RELEASED FOR PUBLICATION
 © COPYRIGHT - By - ALL RIGHTS RESERVED.

LOC	DIST	REVISIONS			
P	LTR	DESCRIPTION	DATE	DWN	APVD
A	00	SEE SHEET 1	-	-	-



REAR BASE DETAIL
MECHANICAL SUBASSY

THIS DRAWING IS A CONTROLLED DOCUMENT.		DWN M. YOUNGER 07FEB2014																				
DIMENSIONS: mm		CHK R. KEENEY 26FEB2014																				
TOLERANCES UNLESS OTHERWISE SPECIFIED:		APVD R. KEENEY 26FEB2014	NAME MODEL 19 BELTHEATER SPARE PARTS																			
<table border="0"> <tr><td>0 PLC</td><td>±</td><td>-</td></tr> <tr><td>1 PLC</td><td>±</td><td>-</td></tr> <tr><td>2 PLC</td><td>±</td><td>-</td></tr> <tr><td>3 PLC</td><td>±</td><td>-</td></tr> <tr><td>4 PLC</td><td>±</td><td>-</td></tr> <tr><td>ANGLES</td><td>±</td><td>-</td></tr> </table>		0 PLC	±	-	1 PLC	±	-	2 PLC	±	-	3 PLC	±	-	4 PLC	±	-	ANGLES	±	-	PRODUCT SPEC	SIZE A2	
0 PLC	±	-																				
1 PLC	±	-																				
2 PLC	±	-																				
3 PLC	±	-																				
4 PLC	±	-																				
ANGLES	±	-																				
MATERIAL		APPLICATION SPEC	CAGE CODE 00779	DRAWING NO C=1481262																		
FINISH		WEIGHT	RESTRICTED TO																			
		CUSTOMER DRAWING	SCALE	SHEET 2 of 4																		
			REV	A																		

4

3

2

1

THIS DRAWING IS UNPUBLISHED. RELEASED FOR PUBLICATION
 © COPYRIGHT - By - ALL RIGHTS RESERVED.

LOC	DIST	REVISIONS			
P	LTR	DESCRIPTION	DATE	DWN	APVD
A	00	SEE SHEET 1	-	-	-

27
1

39
1

14
1

TOP VIEW

2
4

13
2

SIDE VIEW

UPPER BASE DETAIL
MECHANICAL SUBASSY

7
1

TOP VIEW

5
1

2
2

28
1

1
2

10
1

4
1

SIDE VIEW

FRONT BASE DETAIL
MECHANICAL SUBASSY

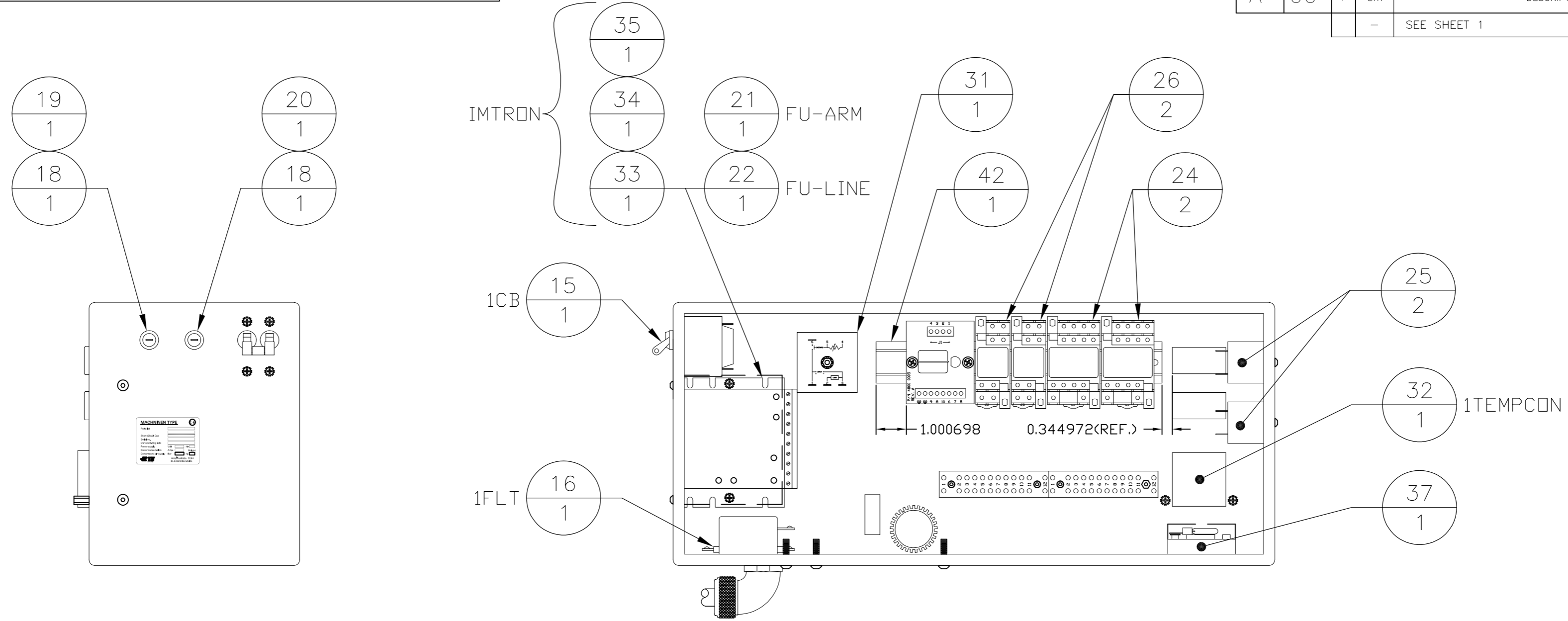
THIS DRAWING IS A CONTROLLED DOCUMENT.		DWN M. YOUNGER 07FEB2014	TE TE Connectivity	
DIMENSIONS: mm		CHK R. KEENEY 26FEB2014		
TOLERANCES UNLESS OTHERWISE SPECIFIED:		APVD R. KEENEY 26FEB2014	NAME MODEL 19 BELTHEATER SPARE PARTS	
0 PLC ± -		PRODUCT SPEC	SIZE A2	CAGE CODE 00779
1 PLC ± -		APPLICATION SPEC	DRAWING NO C=1481262	RESTRICTED TO -
2 PLC ± -		WEIGHT -	SCALE -	SHEET 3 of 4
3 PLC ± -		CUSTOMER DRAWING	REV A	
4 PLC ± -				
ANGLES ± -				
FINISH				

1471-9 (3/11)

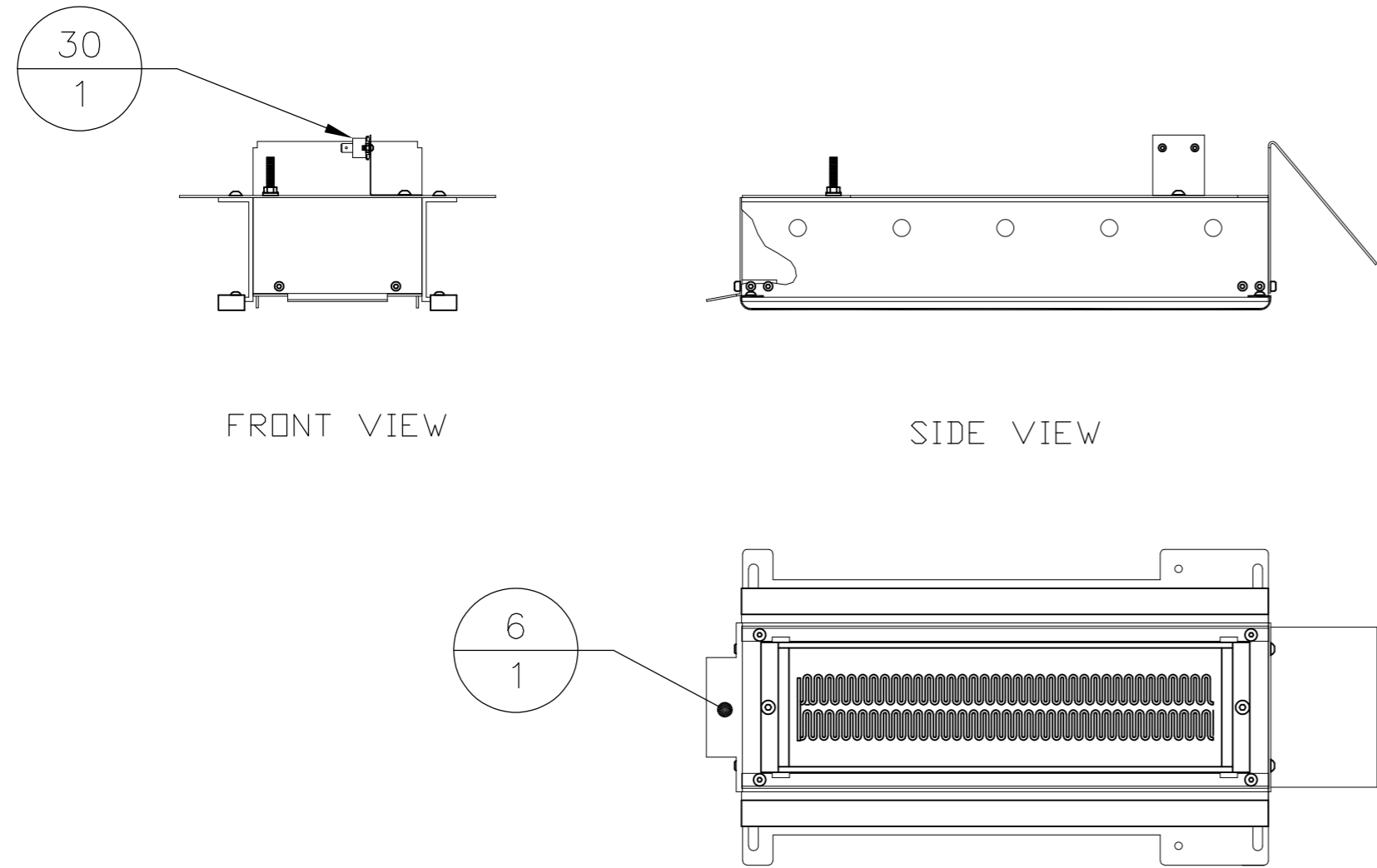
1481262

THIS DRAWING IS UNPUBLISHED. RELEASED FOR PUBLICATION
 © COPYRIGHT - By - ALL RIGHTS RESERVED.

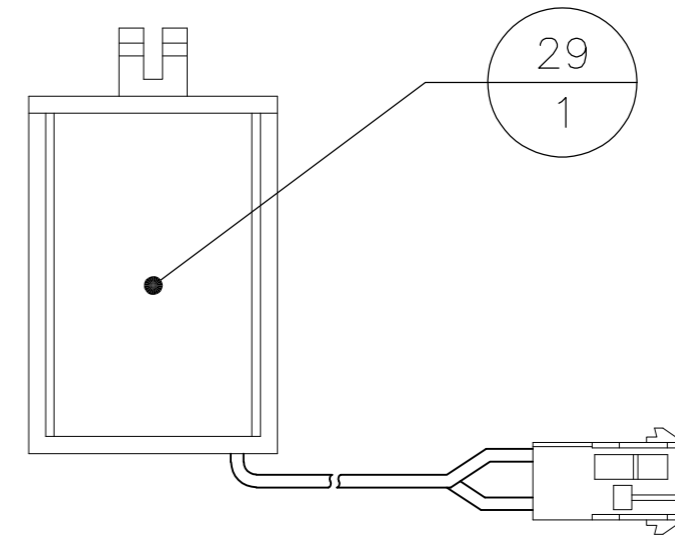
LOC	DIST	REVISIONS			
P	LTR	DESCRIPTION	DATE	DWN	APVD
A	00	SEE SHEET 1	-	-	-



ELECTRICAL ENCLOSURE DETAIL
SUBASSY



UPPER HEATER DETAIL
SUBASSY



12 VDC SOLENOID DETAIL
SUBASSY

THIS DRAWING IS A CONTROLLED DOCUMENT.		DWN M. YOUNGER 07FEB2014																				
DIMENSIONS: mm		CHK R. KEENEY 26FEB2014																				
TOLERANCES UNLESS OTHERWISE SPECIFIED:		APVD R. KEENEY 26FEB2014	NAME MODEL 19 BELTHEATER SPARE PARTS																			
<table border="1"> <tr><td>0 PLC</td><td>±</td><td>-</td></tr> <tr><td>1 PLC</td><td>±</td><td>-</td></tr> <tr><td>2 PLC</td><td>±</td><td>-</td></tr> <tr><td>3 PLC</td><td>±</td><td>-</td></tr> <tr><td>4 PLC</td><td>±</td><td>-</td></tr> <tr><td>ANGLES</td><td>±</td><td>-</td></tr> </table>		0 PLC	±	-	1 PLC	±	-	2 PLC	±	-	3 PLC	±	-	4 PLC	±	-	ANGLES	±	-	PRODUCT SPEC APPLICATION SPEC	SIZE A2	CAGE CODE 00779
0 PLC	±	-																				
1 PLC	±	-																				
2 PLC	±	-																				
3 PLC	±	-																				
4 PLC	±	-																				
ANGLES	±	-																				
MATERIAL		WEIGHT	DRAWING NO C=1481262	RESTRICTED TO																		
FINISH		CUSTOMER DRAWING	SCALE	SHEET 4 OF 4																		