



Chipsmall Limited consists of a professional team with an average of over 10 year of expertise in the distribution of electronic components. Based in Hongkong, we have already established firm and mutual-benefit business relationships with customers from,Europe,America and south Asia,supplying obsolete and hard-to-find components to meet their specific needs.

With the principle of "Quality Parts,Customers Priority,Honest Operation,and Considerate Service",our business mainly focus on the distribution of electronic components. Line cards we deal with include Microchip,ALPS,ROHM,Xilinx,Pulse,ON,Everlight and Freescale. Main products comprise IC,Modules,Potentiometer,IC Socket,Relay,Connector.Our parts cover such applications as commercial,industrial, and automotives areas.

We are looking forward to setting up business relationship with you and hope to provide you with the best service and solution. Let us make a better world for our industry!



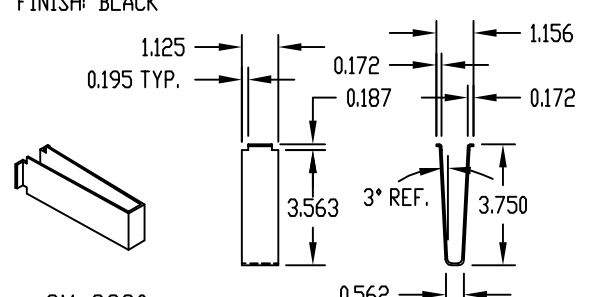
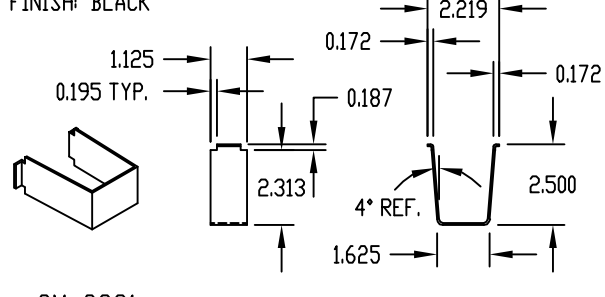
Contact us

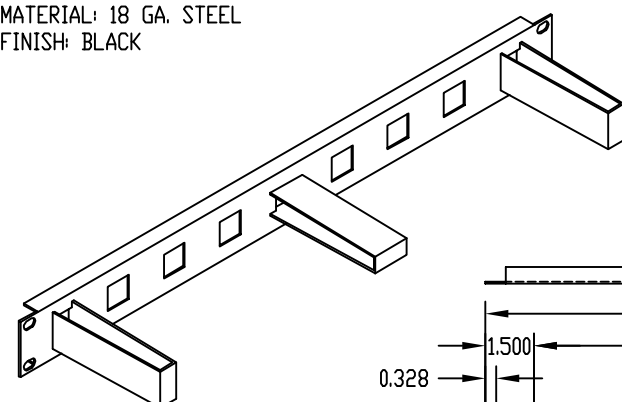
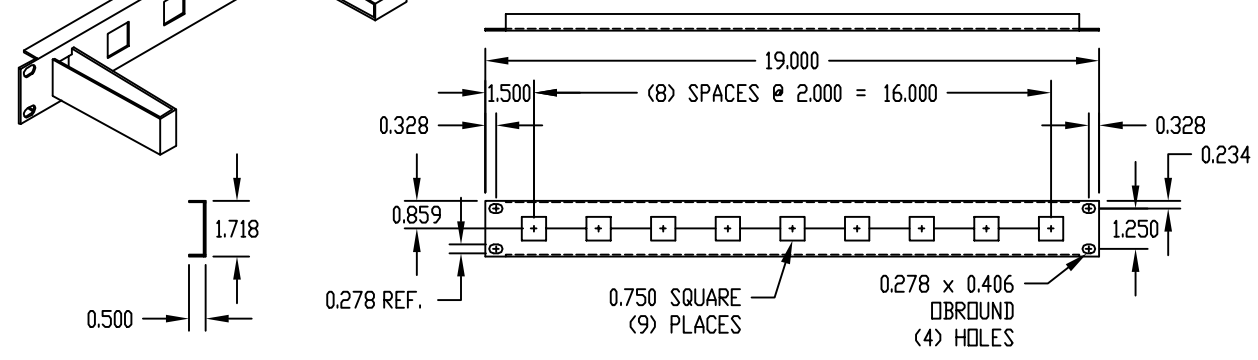
Tel: +86-755-8981 8866 Fax: +86-755-8427 6832

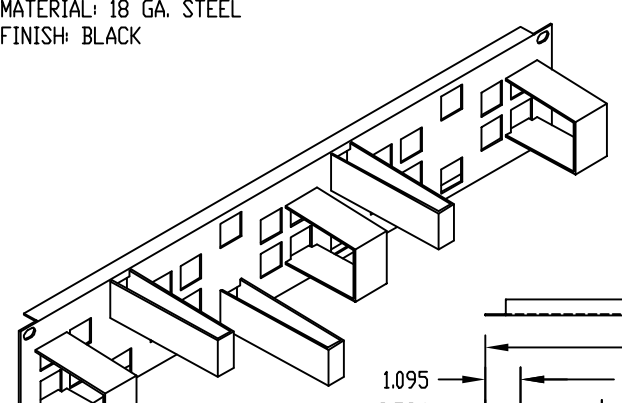
Email & Skype: info@chipsmall.com Web: www.chipsmall.com

Address: A1208, Overseas Decoration Building, #122 Zhenhua RD., Futian, Shenzhen, China



PART NAME	CABLE CLIP PACKAGE	PART No.	CM-2220 & CM-2221
MATERIAL: 16 GA. SPRING STEEL FINISH: BLACK  CM-2220 SUPPLIED WITH (3) CABLE CLIP BRACKETS		MATERIAL: 16 GA. SPRING STEEL FINISH: BLACK  CM-2221 SUPPLIED WITH (3) CABLE CLIP BRACKETS	

PART NAME	CABLE MANAGEMENT PANEL - 1U	PART No.	CM-2225
MATERIAL: 18 GA. STEEL FINISH: BLACK 		SUPPLIED WITH: QTY. (1) #CM-2220 CABLE CLIP PACKAGE QTY. (4) #10-32 x 5/8 LG. SCREWS QTY. (4) #12-24 x 1/2 LG. SCREWS 	

PART NAME	CABLE MANAGEMENT PANEL - 2U	PART No.	CM-2227
MATERIAL: 18 GA. STEEL FINISH: BLACK 		SUPPLIED WITH: QTY. (1) #CM-2220 CABLE CLIP PACKAGE QTY. (1) #CM-2221 CABLE CLIP PACKAGE QTY. (4) #10-32 x 5/8 LG. SCREWS QTY. (4) #12-24 x 1/2 LG. SCREWS 