



Chipsmall Limited consists of a professional team with an average of over 10 year of expertise in the distribution of electronic components. Based in Hongkong, we have already established firm and mutual-benefit business relationships with customers from,Europe,America and south Asia,supplying obsolete and hard-to-find components to meet their specific needs.

With the principle of “Quality Parts,Customers Priority,Honest Operation,and Considerate Service”,our business mainly focus on the distribution of electronic components. Line cards we deal with include Microchip,ALPS,ROHM,Xilinx,Pulse,ON,Everlight and Freescale. Main products comprise IC,Modules,Potentiometer,IC Socket,Relay,Connector.Our parts cover such applications as commercial,industrial, and automotives areas.

We are looking forward to setting up business relationship with you and hope to provide you with the best service and solution. Let us make a better world for our industry!



## Contact us

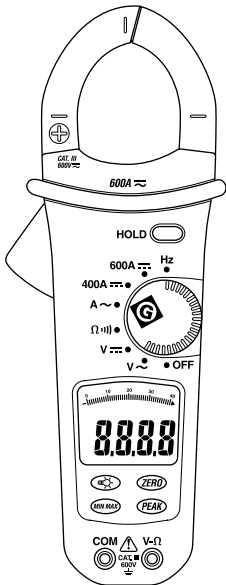
Tel: +86-755-8981 8866 Fax: +86-755-8427 6832

Email & Skype: info@chipsmall.com Web: www.chipsmall.com

Address: A1208, Overseas Decoration Building, #122 Zhenhua RD., Futian, Shenzhen, China



# INSTRUCTION MANUAL MANUAL DE INSTRUCCIONES MANUEL D'INSTRUCTIONS



## CM-900 • CM-950 Digital Clamp-on Meters

## Medidores digitales con pinza

## Multimètres numériques à pinces



**Read and understand** all of the instructions and safety information in this manual before operating or servicing this tool.

**Lea y entienda** todas las instrucciones y la información sobre seguridad que aparecen en este manual, antes de manejar estas herramientas o darles mantenimiento.

**Lire attentivement et bien comprendre** toutes les instructions et les informations sur la sécurité de ce manuel avant d'utiliser ou de procéder à l'entretien de cet outil.

## Description

The Greenlee CM-900 and CM-950 Digital Clamp-on Meters are hand-held testing devices with the following measurement capabilities: AC and DC voltage, AC and DC current, frequency, and resistance. They also verify continuity. The CM-950 is a true RMS reading meter.

Specialized functions and capabilities include:

- Auto ranging
- Backlit display
- Auto power off
- Data hold
- MIN MAX hold
- Peak hold
- 42-segment bar graph

## Safety

Safety is essential in the use and maintenance of Greenlee tools and equipment. This instruction manual and any markings on the tool provide information for avoiding hazards and unsafe practices related to the use of this tool. Observe all of the safety information provided.

## Purpose of This Manual

This instruction manual is intended to familiarize all personnel with the safe operation and maintenance procedures for Greenlee CM-900 and CM-950 Digital Clamp-on Meters.

Keep this manual available to all personnel.

Replacement manuals are available upon request at no charge.

All specifications are nominal and may change as design improvements occur.

Greenlee Textron shall not be liable for damages resulting from misapplication or misuse of its products.

© Registered: The color green for electrical test instruments is a registered trademark of Greenlee Textron.

***KEEP THIS MANUAL***

## Important Safety Information



### SAFETY ALERT SYMBOL

This symbol is used to call your attention to hazards or unsafe practices which could result in an injury or property damage. The signal word, defined below, indicates the severity of the hazard. The message after the signal word provides information for preventing or avoiding the hazard.

#### ▲ DANGER

Immediate hazards which, if not avoided, WILL result in severe injury or death.

#### ▲ WARNING

Hazards which, if not avoided, COULD result in severe injury or death.

#### ▲ CAUTION

Hazards or unsafe practices which, if not avoided, MAY result in injury or property damage.



#### ▲ WARNING

**Read and understand** this material before operating or servicing this equipment. Failure to understand how to safely operate this tool can result in an accident causing serious injury or death.

## Important Safety Information



### **⚠ WARNING**

Electric shock hazard:  
Contact with live circuits can result in severe injury or death.

### **⚠ WARNING**

Electric shock and fire hazard:

- Do not expose this unit to rain or moisture.
- Do not use the unit if it is wet or damaged.
- Use test leads or accessories that are appropriate for the application. Refer to the category and voltage rating of the test lead or accessory.
- Inspect the test leads or accessory before use. They must be clean and dry, and the insulation must be in good condition.
- Use this unit for the manufacturer's intended purpose only, as described in this manual. Any other use can impair the protection provided by the unit.

Failure to observe these warnings can result in severe injury or death.

### **⚠ WARNING**

Electric shock hazard:

- Do not apply more than the rated voltage between any two input terminals, or between any input terminal and earth ground.
- Do not contact the test lead tips or any uninsulated portion of the accessory.

Failure to observe these warnings can result in severe injury or death.

## Important Safety Information

### **⚠ WARNING**

- Do not operate with the case or battery cover open.
- Before removing the case or battery cover, remove the test leads (or jaw) from the circuit and shut off the unit.

Failure to observe these warnings can result in severe injury or death.

### **⚠ CAUTION**

Do not change the measurement function while the test leads are connected to a component or circuit.

Failure to observe this precaution can result in injury and can damage the unit.

### **⚠ CAUTION**

- Do not attempt to repair this unit. It contains no user-serviceable parts.
- Do not expose the unit to extremes in temperature or high humidity. Refer to “Specifications.”

Failure to observe these precautions can result in injury and can damage the unit.


### **IMPORTANT**

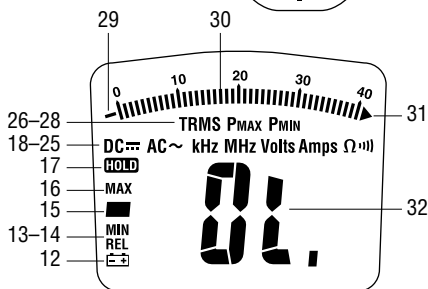
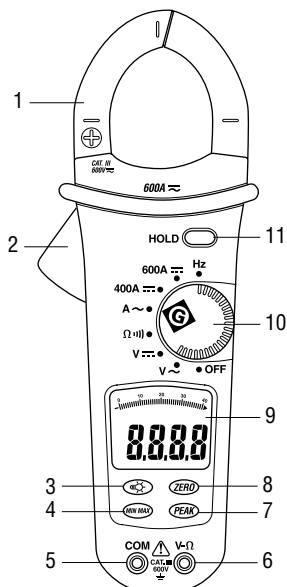
- Unless measuring voltage, current, or frequency, shut off and lock out power. Make sure that all capacitors are discharged. Voltage must not be present.
- Using this unit near equipment that generates electromagnetic interference can result in unstable or inaccurate readings.

## Identification



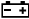
1. Jaw
2. Lever
3. Backlight button
4. MIN MAX button
5. Common (COM) input terminal
6. Volts or resistance (V- $\Omega$ ) input terminal
7. PEAK button
8. ZERO button
9. Display
10. Selector
11. HOLD button

## Display Icons

12.  Low battery indicator
13. **REL** Status of DC current ZERO function
14. **MIN** MIN Hold function is enabled
15. **-** Polarity indicator for numeric display
16. **MAX** MAX Hold function is enabled
17. **HOLD** Hold function is enabled
18. **DC** DC measurement is selected
19. **AC** AC measurement is selected
20. **kHz** Kiloherzt
21. **MHz** Megahertz
22. **Volts** Voltage
23. **Amps** Amperes
24.  **$\Omega$**  Ohms
25. **|||)** Continuity
26. **TRMS** True RMS (CM-950 only)
27. **P<sub>MAX</sub>** MAX PEAK Hold function is enabled.
28. **P<sub>MIN</sub>** MIN PEAK Hold function is enabled.
29. **-** Polarity indicator for bar graph
30. **|** Bar graph element
31. **▶** Overload indicator for bar graph
32. **OL.** Overload indicator for numeric display



## Symbols on the Unit

-  Warning—Read the instruction manual
-  Double insulation
-  Battery

## Using the Features



Press to backlight the display. Press again to turn off. The backlight automatically shuts off after approximately 1 minute.

- **HOLD Button**

Press momentarily to hold the present value on the display. Press again to return to normal mode.

- **Auto Power Off**

The unit automatically shuts off after approximately 30 minutes of inactivity.

To disable this feature, press **PEAK**, **MIN MAX**, or  while turning the meter on.

- **MIN MAX Button**

Press momentarily to begin recording the minimum and maximum values of input. Press momentarily to cycle through the display modes as shown in the table below. The meter uses its highest voltage or current range for this feature.

Icon	Display
<b>MAX</b>	Maximum recorded value
<b>MIN</b>	Minimum recorded value
<b>MAX MIN</b> (flashing)	Present measured value

Press and hold to exit this mode.

- **PEAK Button**

Press momentarily to begin recording the minimum and maximum peak values of AC inputs. Press momentarily to cycle through the display modes as shown in the table below. The meter uses its highest voltage or current range for this feature.

Icon	Display
<b>P<sub>MAX</sub></b>	Maximum recorded peak value
<b>P<sub>MIN</sub></b>	Minimum recorded peak value

Press and hold to exit this mode. "CAL" appears briefly on the display as internal circuitry is reset.

- **ZERO Button**

Press momentarily to compensate for the residual magnetism in the jaw. "REL" appears on the display. Press momentarily again to display the uncompensated measurement. The stored offset value is retained. "REL" will flash. Press and hold to clear the stored offset value and return to uncompensated measurement.

Repeat the procedure after changing DC current ranges.



## AC Measurement

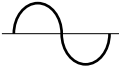
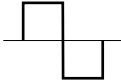
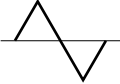

AC measurements are usually displayed as RMS (root mean square) values. The RMS value is equal to the value of a DC waveform, which would deliver the same power if it replaced the time-varying waveform. Two AC measurement methods are *average-responding RMS calibrated* and *true RMS-reading*.

The average-responding RMS calibrated method takes the average value of the input signal after full wave rectification, multiplies it by 1.11, and displays the result. This method is accurate if the input signal is a pure sine wave. The Greenlee CM-900 is an average-responding meter.

The true RMS-reading method uses internal circuitry to read the true RMS value. This method is accurate, within the specified crest factor limitations, whether the input signal is a pure sine wave, square wave, triangle wave, half wave, or signal with harmonics. The ability to read true RMS provides much more measurement versatility. The Greenlee CM-950 is a true RMS meter.

The Waveforms and Crest Factors table shows some typical AC signals and their RMS values.

### Waveforms and Crest Factors

<b>Waveform</b>				
<b>RMS Value</b>	100	100	100	100
<b>Average Value</b>	90	100	87	64
<b>Crest Factor* (<math>\xi</math>)</b>	1.414	1	1.73	2

\* The crest factor is the ratio of the peak value to the RMS value; it is represented by the Greek letter  $\xi$ .

## Operation



### ⚠ WARNING

Electric shock hazard:  
Contact with live circuits can result in severe injury or death.

1. Set the selector according to the Settings Table. For DC current, start with the 600 A range.
2. Refer to “Typical Measurements” for specific measurement instructions.
3. Test the unit on a known functioning circuit or component.
  - If the unit does not function as expected on a known functioning circuit, replace the battery (or batteries).
  - If the unit still does not function as expected, send the unit to Greenlee for repair. Refer to the instructions under the Warranty.
4. Take the reading from the circuit or component to be tested.
5. If it is a DC current reading, remove the clamp from the circuit and press the **ZERO** button. Clamp the jaw around the circuit again to measure the actual DC current.

If the resolution is not satisfactory on the 600 A range, remove the meter from the conductor and switch to the 400 A range. Repeat steps 4 and 5.

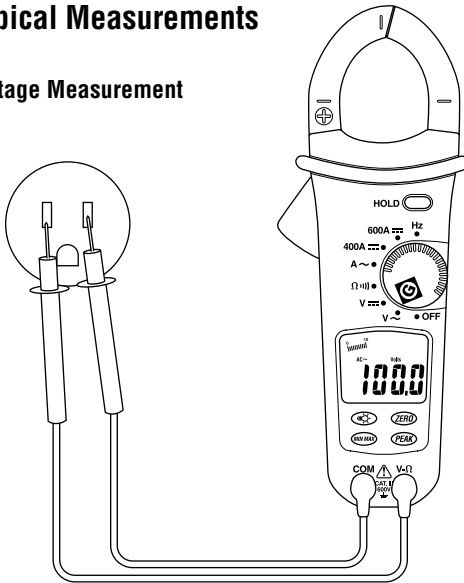
### Settings Table

To measure this value ...	set the selector to this symbol ...	connect the red lead to ...	and connect the black lead to ...
Continuity*	$\Omega$	V- $\Omega$	COM
Resistance	$\Omega$	V- $\Omega$	COM
DC Voltage	<b>V</b>	V- $\Omega$	COM
AC Voltage	<b>V</b>	V- $\Omega$	COM
DC Current (600 A max.)	<b>600A</b>	Remove lead	Remove lead
DC Current (400 A max.)	<b>400A</b>	Remove lead	Remove lead
AC Current (600 A max.)	<b>A</b>	Remove lead	Remove lead
Frequency	<b>Hz</b>	Remove lead	Remove lead

\* Tone sounds if the measured resistance is less than approximately 30  $\Omega$ .

## Typical Measurements

### Voltage Measurement

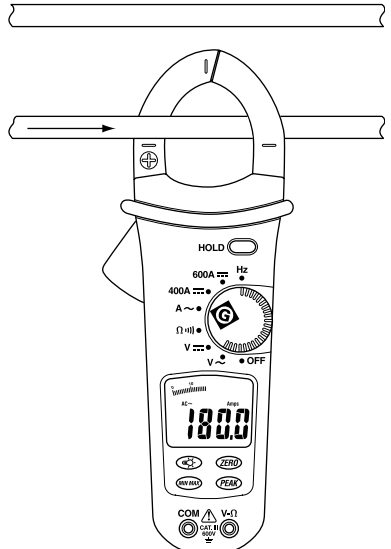


### Current Measurement— Clamp Around Wire

#### Notes:

- Clamp the jaw around one conductor only.
- Close the jaw completely to ensure accurate measurement.
- Center the wire in the jaw for highest accuracy.

*Note: For DC measurements, current flowing through the jaw in the direction indicated by the arrow produces a positive reading. Position the jaw for a positive reading for highest accuracy.*

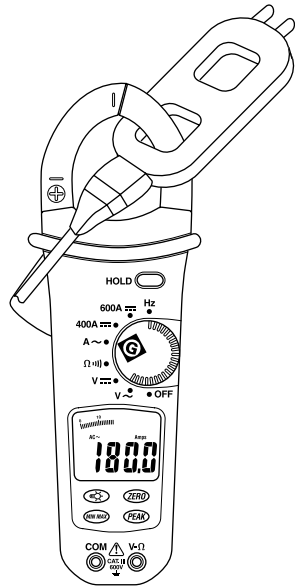


## Typical Measurements

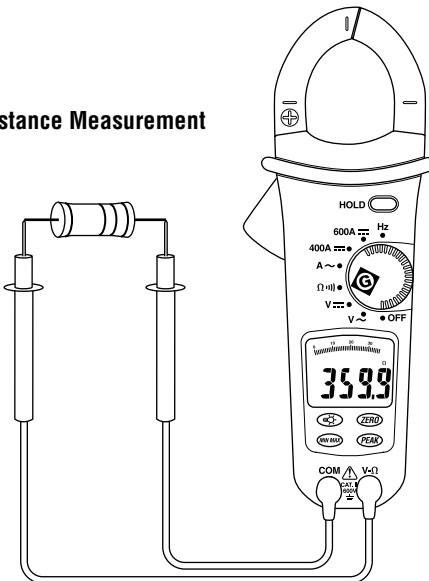
### Current Measurement— Clamp Around Line Splitter

Notes:

- The Greenlee 93-30 Line Splitter is divided. One section renders amps; the other renders amps multiplied by 10.
- Close the jaw completely to ensure accurate measurement.
- Center the line splitter in the jaw for highest accuracy.

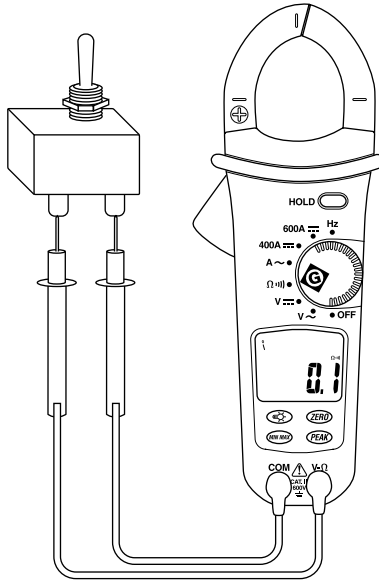


### Resistance Measurement



# Typical Measurements

## Continuity Check



## Accuracy

Refer to “Specifications” for operating conditions and temperature coefficient.

Accuracy is specified as follows:  $\pm$  (a percentage of the reading + a fixed amount) at 18 °C to 28 °C (64 °F to 82 °F), 0% to 80% relative humidity

### AC Current

Range	Input Value	Accuracy (50 to 60 Hz)	Accuracy (61 to 400 Hz)
400.0 A	0.0 to 320.0 A	$\pm (1.5\% + 0.5 \text{ A})$	$\pm (2.0\% + 0.5 \text{ A})$
	320.0 to 400.0 A	$\pm (3.1\% + 0.5 \text{ A})$	$\pm (3.6\% + 0.5 \text{ A})$
600 A	400 to 600 A	$\pm (2.0\% + 7 \text{ A})$	$\pm (2.5\% + 7 \text{ A})$

$\pm 1.0\%$  position error

### AC Voltage

Range	Accuracy	Frequency Response	Input Impedance
400.0 V	$\pm (1.0\% + 0.5 \text{ V})$	50 to 500 Hz	1 M $\Omega$    < 100 pF
600 V	$\pm (1.0\% + 5 \text{ V})$		

CM-900 is average sensing, RMS calibrated.

CM-950 is true RMS sensing. Accuracy is specified for sine waves at full scale and non-sine waves below half scale. For non-sine waves, add the following crest factor corrections:

- Crest factor 1.4 to 2.0, add 1.0%
- Crest factor 2.0 to 2.5, add 2.5%
- Crest factor 2.5 to 3.0, add 4.0%

Maximum crest factor is 3 at 400 A or 400 V, and 2 at 600 A or 600 V.

## Accuracy (cont'd)

### DC Current

Range	Accuracy
400.0 A	$\pm (1.2\% + 0.5 \text{ A})$
600 A	$\pm (1.9\% + 7 \text{ A})$

Position error: 1%

Remanence Error: 1% of current crest

### DC Voltage

Range	Accuracy	Input Impedance
400.0 V	$\pm (0.7\% + 0.2 \text{ V})$	1 M $\Omega$
600 V	$\pm (0.7\% + 2 \text{ V})$	

### Resistance

Range	Accuracy
400.0 $\Omega$	$\pm (1.0\% + 0.3 \text{ } \Omega)$

600 V overload protection

### Frequency (Current Mode)

Range	Accuracy	Minimum Input
0.020 to 0.400 kHz	$\pm (0.1\% + 0.002 \text{ kHz})$	3 A RMS

### Peak Hold

Accuracy of held value is  $\pm (3\% + 15 \text{ digits})$ .

Accuracy is unspecified above 600 V peak and above 600 A peak.

### Min Max

Add  $\pm 15$  digits to AC/DC current specification.

The meter switches to the 600 V or 600 A range when Peak Hold or MIN MAX is activated.

## Specifications

Display: 3-3/4–digit LCD (4000 maximum count) and 42-segment bar graph

Sampling Rate:

Numeric Display: 1.5 per second

Bar Graph Display: 13 per second

Jaw Opening: 35 mm (1.38")

Measurement Category: Category III, 600 V

Temperature Coefficient: 0.2 x (Accuracy) per °C above 28 °C or below 18 °C

Operating Conditions:

Temperature:

0 °C to 30 °C (32 °F to 86 °F), 0% to 80% relative humidity, noncondensing

30 °C to 40 °C (86 °F to 104 °F), 0% to 75% relative humidity, noncondensing

40 °C to 50 °C (104 °F to 122 °F), 0% to 45% relative humidity, noncondensing

Altitude: 2000 m (6500') maximum

Indoor use only.

Storage Conditions: –20 °C to 60 °C (–4 °F to 131 °F),

0% to 80% relative humidity, noncondensing

Remove battery.

Pollution Degree: 2

Battery: One 9 V battery (NEDA 1604, JIS 006P, or IEC 6F22)

Battery Life: Approximately 200 hours with alkaline battery



## **Measurement Categories**

These definitions were derived from the international safety standard for insulation coordination as it applies to measurement, control, and laboratory equipment. These measurement categories are explained in more detail by the International Electrotechnical Commission; refer to either of their publications: IEC 61010-1 or IEC 60664.

### **Measurement Category I**

Signal level. Electronic and telecommunication equipment, or parts thereof. Some examples include transient-protected electronic circuits inside photocopiers and modems.

### **Measurement Category II**

Local level. Appliances, portable equipment, and the circuits they are plugged into. Some examples include light fixtures, televisions, and long branch circuits.

### **Measurement Category III**

Distribution level. Permanently installed machines and the circuits they are hard-wired to. Some examples include conveyor systems and the main circuit breaker panels of a building's electrical system.

### **Measurement Category IV**

Primary supply level. Overhead lines and other cable systems. Some examples include cables, meters, transformers, and other exterior equipment owned by the power utility.

## Maintenance

### CAUTION

- Do not attempt to repair this unit. It contains no user-serviceable parts.
- Do not expose the unit to extremes in temperature or high humidity. Refer to “Specifications.”

Failure to observe these precautions can result in injury and can damage the unit.

## Battery Replacement

### WARNING

Before removing the battery cover, remove the test leads (or jaw) from the circuit and shut off the unit.

Failure to observe this warning can result in severe injury or death.

1. Disconnect the unit from the circuit.
2. Remove the screw from the battery cover.
3. Remove the battery cover.
4. Replace the battery. Observe polarity.
5. Replace the cover and the screw.

## Cleaning

Periodically wipe the case with a damp cloth and mild detergent; do not use abrasives or solvents.



## Descripción

Los Medidores digitales con pinza modelos CM-900 y CM-950 de Greenlee son instrumentos de verificación capaces de efectuar los siguientes tipos de mediciones: tensión alterna y continua, corriente alterna y continua, frecuencia y resistencia. También sirven para verificar continuidad. El modelo CM-950 es un multímetro de lectura de valores eficaces reales.

Entre sus funciones y capacidades se incluyen:

- Selección automática de escala
- Pantalla con luz de fondo
- Apagado automático
- Retención de datos en pantalla
- Retención MIN MAX
- Retención de lectura de valor máximo
- Gráfico de barras de 42 segmentos

## Acerca de la seguridad

Es fundamental observar métodos seguros al utilizar y dar mantenimiento a las herramientas y equipo Greenlee. Este manual de instrucciones y todas las marcas que ostenta la herramienta le ofrecen la información necesaria para evitar riesgos y hábitos poco seguros relacionados con su uso. Siga toda la información sobre seguridad que se proporciona.

## Propósito de este manual

Este manual de instrucciones tiene como propósito familiarizar a todo el personal con los procedimientos de operación y mantenimiento seguros para los Medidores digitales con pinza modelos CM-900 y CM-950 de Greenlee.

Manténgalo siempre al alcance de todo el personal.

Puede obtener copias adicionales de manera gratuita, previa solicitud.

Todas las especificaciones son nominales y pueden cambiar conforme tengan lugar mejoras de diseño. Greenlee Textron no se hace responsable de los daños que puedan surgir de la mala aplicación o mal uso de sus productos.

® Registrado: El color verde para instrumentos de verificación eléctricos es una marca registrada de Greenlee Textron.

**CONSERVE ESTE MANUAL**

## Importante Información sobre Seguridad



### **SÍMBOLO DE ALERTA SOBRE SEGURIDAD**

Este símbolo se utiliza para indicar un riesgo o práctica poco segura que podría ocasionar lesiones o daños materiales. Cada uno de los siguientes términos denota la gravedad del riesgo. El mensaje que sigue a dichos términos le indica cómo puede evitar o prevenir ese riesgo.

#### **⚠ PELIGRO**

Peligros inmediatos que, de no evitarse, OCASIONARÁN graves lesiones o incluso la muerte.

#### **⚠ ADVERTENCIA**

Peligros que, de no evitarse, PODRÍAN OCASIONAR graves lesiones o incluso la muerte.

#### **⚠ PRECAUCIÓN**

Peligro o prácticas peligrosas que, de no evitarse, PUEDEN OCASIONAR lesiones o daños materiales.



#### **⚠ ADVERTENCIA**

**Lea y entienda** este documento antes de manejar esta herramienta o darle mantenimiento. Utilizarla sin comprender cómo manejarla de manera segura podría ocasionar un accidente y, como resultado de éste, graves lesiones o incluso la muerte.

## Importante Información sobre Seguridad



### ⚠ ADVERTENCIA

Peligro de electrocución:

El contacto con circuitos activados puede ocasionar graves lesiones o incluso la muerte.

### ⚠ ADVERTENCIA

Peligro de electrocución e incendio:

- No exponga esta unidad ni a la lluvia ni a la humedad.
- No utilice esta unidad si se encuentra mojada o dañada.
- Utilice cables de prueba y accesorios que sean apropiados para la aplicación que se va a realizar. Consulte la información sobre categoría y tensión nominal del cable de prueba o el accesorio.
- Revise minuciosamente los cables de prueba o el accesorio, antes de utilizarlos. Deberán estar limpios y secos, y su forro aislante deberá hallarse en buenas condiciones.
- Utilícela únicamente para el propósito para el que ha sido diseñada por el fabricante, tal como se describe en este manual. Cualquier otro uso puede menoscabar la protección proporcionada por la unidad.

De no observarse estas advertencias pueden sufrirse graves lesiones o incluso la muerte.

### ⚠ ADVERTENCIA

Peligro de electrocución:

- No aplique más del voltaje nominal entre dos terminales de entrada cualesquiera, o entre una terminal de entrada cualquiera y una conexión a tierra.
- No toque las puntas de los cables de prueba ni ninguna parte del accesorio que carezca de forro aislante.

De no observarse estas advertencias pueden sufrirse graves lesiones o incluso la muerte.

## Importante Información sobre Seguridad

### **⚠ ADVERTENCIA**

- No haga funcionar esta unidad con la caja o la tapa del compartimiento de las pilas abierta.
- Antes de retirar la caja o la tapa del compartimiento de las pilas, retire del circuito los cables de prueba (o la pinza), y apague la unidad.

De no observarse estas advertencias pueden sufrirse graves lesiones o incluso la muerte.

### **⚠ PRECAUCIÓN**

No cambie la función de medición mientras los cables de prueba estén conectados a un componente o circuito.

De no observarse esta advertencia podrían sufrirse lesiones o daños a la unidad.

### **⚠ PRECAUCIÓN**

- No intente reparar esta unidad, ya que contiene partes que deben recibir mantenimiento por parte de un profesional.
- No exponga la unidad a ambientes de temperatura extrema o altos niveles de humedad. Consulte la sección “Especificaciones”.

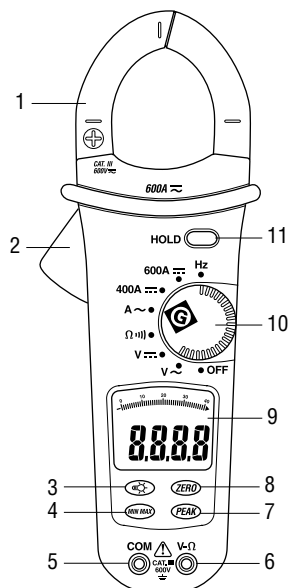
De no observarse estas precauciones podrían sufrirse lesiones o daños a la unidad.

### **IMPORTANTE**

- A menos que vaya a medir tensión, corriente o frecuencia, apague y bloquee la energía. Asegúrese de que todos los condensadores estén totalmente sin carga. No debe haber tensión alguna.
- Al utilizar esta unidad cerca de equipo que genere interferencia electromagnética quizá se obtenga una lectura inexacta e inestable.

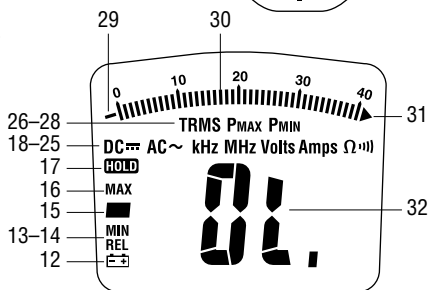
## Identificación

1. Pinza
2. Palanca
3. Botón de luz de fondo
4. Botón MIN MAX
5. Terminal de entrada (COM) común
6. Terminal de entrada (V-Ω) de voltios o resistencia
7. Botón PEAK
8. Botón ZERO
9. Pantalla
10. Selector
11. Botón HOLD



## Iconos de la pantalla

12. Indicador de pila baja
13. **REL** Estado de la función "DC current ZERO" (CERO de corriente de CC)
14. **MIN** Se activa la función "Hold MIN" (Retención en pantalla del valor mínimo).
15. **-** Indicador de polaridad para la pantalla numérica
16. **MAX** Se activa la función "Hold MAX" (Retención en pantalla del valor máximo).
17. **HOLD** Se activa la función "Hold" (Retención de datos en pantalla).
18. **DC** Se selecciona medición de CC.
19. **AC** Se selecciona medición de CA.
20. **kHz** Kilohercios
21. **MHz** Megahercios
22. **Volts** Tensión
23. **Amps** Amperios
24. **Ω** Ohmios
25. **|||** Continuidad
26. **TRMS** Valores eficaces reales (únicamente en el modelo CM-950)
27. **P<sub>MAX</sub>** Se activa la función MAX PEAK Hold (Retención de lectura de valor máximo).
28. **P<sub>MIN</sub>** Se activa la función MIN PEAK Hold (Retención de lectura de valor mínimo).
29. **-** Indicador de polaridad para el gráfico de barras
30. **|** Elemento de gráfico de barras
31. **▶** Indicador de sobrecarga para el gráfico de barras
32. **OL** Indicador de sobrecarga para la pantalla numérica



## Símbolos en la unidad

- Advertencia—Lea el manual de instrucciones
- Doble forro aislante
- Pila



## Cómo utilizar las distintas funciones



Oprima para encender la luz de fondo de la pantalla. Oprima nuevamente para apagarla. La luz de fondo se apagará de forma automática después de aproximadamente 1 minuto.

- **Botón “HOLD” (Retención de datos en pantalla)**

Oprima momentáneamente para retener en pantalla el valor que aparece en ese momento. Oprima nuevamente para volver al modo normal.

- **Apagado automático**

La unidad se apaga de forma automática después de aproximadamente 30 minutos de inactividad.

Para desactivar esta función, oprima **PEAK, MIN MAX**, o  al tiempo que enciende la unidad.

- **Botón MIN MAX**

Oprima momentáneamente para comenzar a registrar los valores de entrada máximo y mínimo. Oprima momentáneamente para ciclar a través de los modos de pantalla según se ilustran en la tabla a continuación. El medidor utiliza su tensión o escala de corriente más alta para esta función.

Icono	Pantalla
<b>MAX</b>	Valor máximo registrado
<b>MIN</b>	Valor mínimo registrado
<b>MAX MIN</b> (parpadeante)	Valor medido en ese momento

Oprima y mantenga oprimido el botón para salir de este modo.

- **Botón PEAK**

Oprima momentáneamente para comenzar a registrar los valores de lectura de las entradas de CA máximo y mínimo. Oprima momentáneamente para ciclar a través de los modos de pantalla según se ilustran en la tabla a continuación. El medidor utiliza su tensión o escala de corriente más alta para esta función.

Icono	Pantalla
<b>P<sub>MAX</sub></b>	Valor de lectura máximo registrado
<b>P<sub>MIN</sub></b>	Valor de lectura mínimo registrado

Oprima y mantenga oprimido el botón para salir de este modo. “CAL” aparece momentáneamente en la pantalla mientras se restablece el circuito interno.

- **Botón ZERO**

Oprima momentáneamente para compensar por el magnetismo residual en la pinza. “REL” aparece en la pantalla. Oprima momentáneamente de nuevo para mostrar la medición no compensada. Se retiene el valor compensado almacenado. “REL” parpadeará. Oprima y sostenga para borrar el valor compensado almacenado y regresar a la medición no compensada.

Repita el procedimiento luego de cambiar las escalas de corriente de CC.

## Medición de corriente alterna


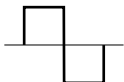

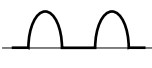
Las mediciones de corriente alterna generalmente se muestran como valores eficaces (RMS o root mean squared). El valor eficaz equivale al valor de una forma de onda de CC, la cual brinda la misma potencia que si reemplazara la forma de onda variable con el tiempo. Existen dos métodos de medición de corriente alterna: *calibrados para responder al valor eficaz medio y a una lectura de valores eficaces reales*.

El método calibrado para responder al valor eficaz medio toma el valor medio de la señal de entrada luego de una rectificación total de onda, la multiplica por 1,11 y muestra el resultado. El resultado es exacto si la señal de entrada es una onda sinusoidal pura. El modelo CM-900 de Greenlee es un multímetro que responde al valor medio.

El método de lectura de valores eficaces reales utiliza un circuito interno para leer el valor eficaz real. Este método es exacto, dentro de las limitaciones de factor de cresta especificadas, independientemente del tipo de señal de entrada, ya sea una onda sinusoidal pura, rectangular, triangular, media onda o señal con armónicas. La capacidad para leer valores eficaces reales brinda una mayor versatilidad de medición. La unidad modelo CM-950 de Greenlee es un medidor de valores eficaces reales.

La tabla de Formas de onda y Factores de cresta muestra algunas de las señales de CA y sus valores eficaces reales más comunes.

### Formas de onda y Factores de cresta

<b>Forma de onda</b>				
<b>Valor eficaz</b>	100	100	100	100
<b>Valor medio</b>	90	100	87	64
<b>Factor de cresta* (<math>\xi</math>)</b>	1,414	1	1,73	2

\* El factor de cresta es el cociente de un valor máximo en relación con el valor eficaz; está representado por la letra griega  $\xi$ .