



Chipsmall Limited consists of a professional team with an average of over 10 year of expertise in the distribution of electronic components. Based in Hongkong, we have already established firm and mutual-benefit business relationships with customers from,Europe,America and south Asia,supplying obsolete and hard-to-find components to meet their specific needs.

With the principle of "Quality Parts,Customers Priority,Honest Operation,and Considerate Service",our business mainly focus on the distribution of electronic components. Line cards we deal with include Microchip,ALPS,ROHM,Xilinx,Pulse,ON,Everlight and Freescale. Main products comprise IC,Modules,Potentiometer,IC Socket,Relay,Connector.Our parts cover such applications as commercial,industrial, and automotives areas.

We are looking forward to setting up business relationship with you and hope to provide you with the best service and solution. Let us make a better world for our industry!



Contact us

Tel: +86-755-8981 8866 Fax: +86-755-8427 6832

Email & Skype: info@chipsmall.com Web: www.chipsmall.com

Address: A1208, Overseas Decoration Building, #122 Zhenhua RD., Futian, Shenzhen, China



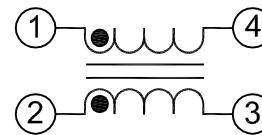
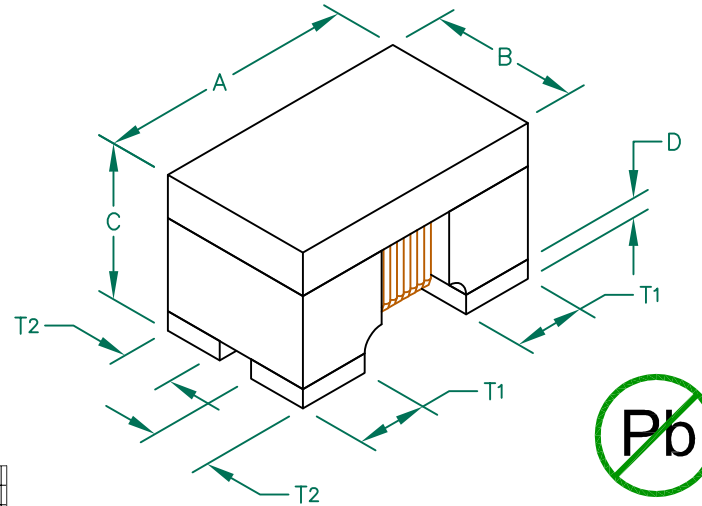
CM0805C161R-10

UNCONTROLLED DOCUMENT

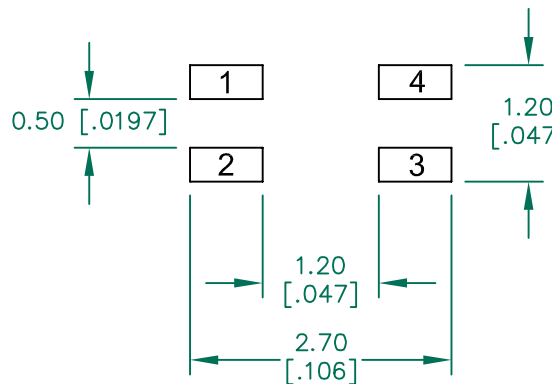
PHYSICAL DIMENSIONS:

A	2.00 [.079]	+ 0.20 [.008]
B	1.20 [.047]	+ 0.20 [.008]
C	1.20 [.047]	+ 0.20 [.008]
D	0.15 [.006]	+ 0.10 [.004]

T1	0.55 [.022]	+ 0.10 [.004]
T2	0.46 [.018]	+ 0.10 [.004]



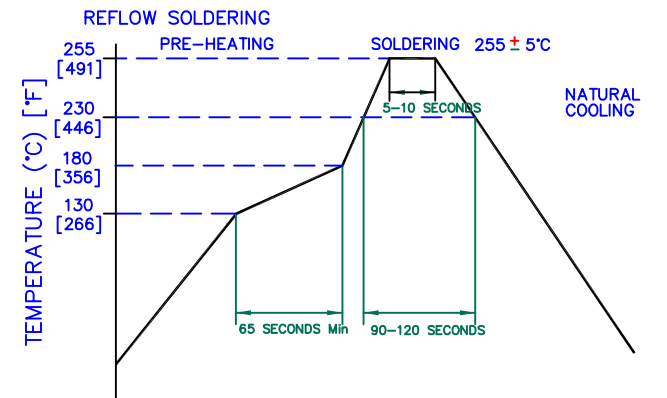
LAND PATTERNS FOR REFLOW SOLDERING



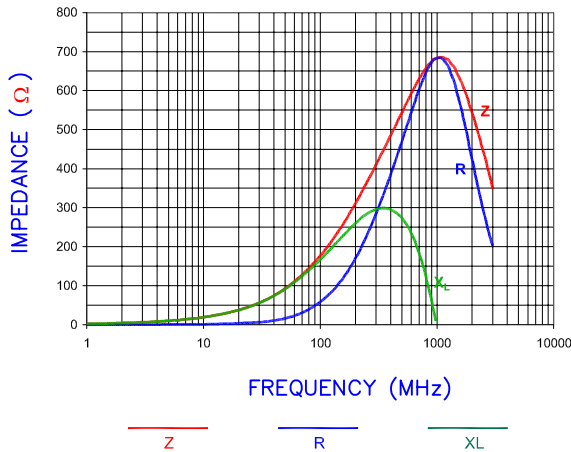
Electrical Characteristics	Nominal	Min	Max
Common Mode Impedance @ 100MHz	(Ω) 160	120	200
DCR	(Ω) -	-	0.35
Rated Current	(mA) -	-	300

- NOTES: UNLESS OTHERWISE SPECIFIED
1. TAPED AND REELED per CURRENT EIA SPECIFICATIONS 7" REELS, EMBOSSED PLASTIC TAPE 2,000 PCS/REEL.
 2. TERMINATION FINISH 100% MATTE TIN.
 3. COMPONENTS SHOULD BE ADEQUATELY PREHEATED BEFORE SOLDERING..
 4. OPERATING TEMP. RANGE: -40°C~+125°C. (INCLUDING SELF-HEATING)

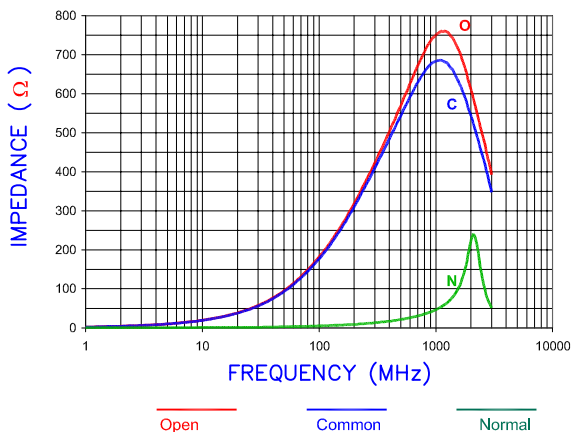
RECOMMENDED SOLDERING CONDITIONS



Z, R, XL vs. FREQUENCY



Z vs. FREQUENCY (C,N,O)



DIMENSIONS ARE IN mm [INCHES].				This print is the property of Laird Tech. and is loaned in confidence subject to return upon request and with the understanding that no copies shall be made without the written consent of Laird Tech. All rights to design or invention are reserved.			
E	ADD OPERATING TEMPERATURE UPDATE LAIRD LOGO AND REFLOW CURVE	08/05/13	QU				
D	CHANGE T1 AND T2 DIMENSIONS	01/11/10	JUN				
C	UPDATE COMPANY LOGO	04/28/09	JRK				
B	UPDATE COMPANY LOGO	05/10/07	JRK				
A	ORIGINAL DRAFT	08/11/06	JRK				
REV	DESCRIPTION	DATE	INT	PROJECT/PART NUMBER:	REV	PART TYPE:	DRAWN BY:
				CM0805C161R-10	E	CM CHOKE	JRK
				DATE: 08/11/06	SCALE: NTS	SHEET:	
				CAD # CM0805C161R-10-E	TOOL # -		2 of 2