



Chipsmall Limited consists of a professional team with an average of over 10 year of expertise in the distribution of electronic components. Based in Hongkong, we have already established firm and mutual-benefit business relationships with customers from,Europe,America and south Asia,supplying obsolete and hard-to-find components to meet their specific needs.

With the principle of "Quality Parts,Customers Priority,Honest Operation,and Considerate Service",our business mainly focus on the distribution of electronic components. Line cards we deal with include Microchip,ALPS,ROHM,Xilinx,Pulse,ON,Everlight and Freescale. Main products comprise IC,Modules,Potentiometer,IC Socket,Relay,Connector.Our parts cover such applications as commercial,industrial, and automotives areas.

We are looking forward to setting up business relationship with you and hope to provide you with the best service and solution. Let us make a better world for our industry!



Contact us

Tel: +86-755-8981 8866 Fax: +86-755-8427 6832

Email & Skype: info@chipsmall.com Web: www.chipsmall.com

Address: A1208, Overseas Decoration Building, #122 Zhenhua RD., Futian, Shenzhen, China



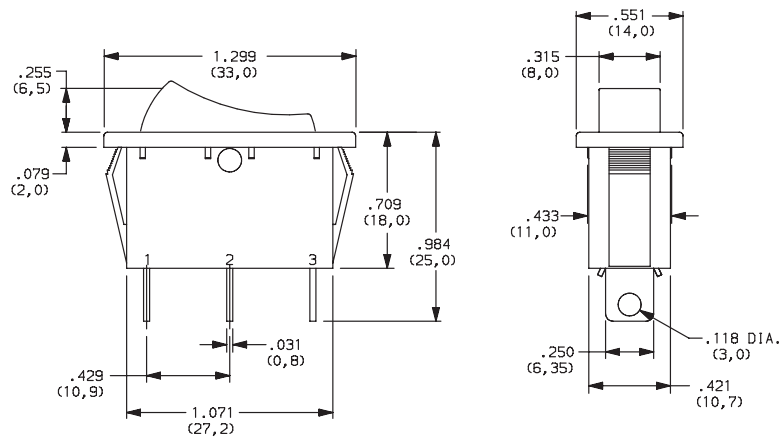
CM Series Single Pole Power Rocker Switches

SWITCH FUNCTION



NO. POLES	MODEL NO.	SWITCH FUNCTION			CONNECTED TERMINALS			SCHEMATIC		
		Pos. 1	Pos. 2	Pos. 3	Pos. 1	Pos. 2	Pos. 3			
		C&K marking on opposite side			C&K marking on opposite side					
SP	CM101	ON	NONE	ON	2-1	N/A	2-1			
	CM102	ON	NONE	OFF			OPEN			
	CM103	ON	OFF	ON			OPEN	2-3		
	CM107	ON	OFF	MOM.				N/A	OPEN	
	CM12 *	ON	NONE	OFF					OPEN	

* CM12 - for switches with both marking and illumination



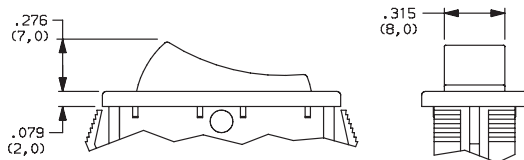
Shown in Pos. 1

ACTUATOR



J1 ROCKER

J3 ILLUMINATED ROCKER



NOTE: J3 actuator available with CM102 & CM12 switch function only.

C&K



Third Angle
Projection

Dimensions are shown: Inches (mm)
Specifications and dimensions subject to change

www.ck-components.com

Rocker



G

CM Series Single Pole Power Rocker Switches

ACTUATOR COLOR



OPTION CODE	ACTUATOR COLOR
2	BLACK
1	WHITE
3	RED
R	RED, ILLUMINATED
A	AMBER, ILLUMINATED
G	GREEN, ILLUMINATED

MOUNTING STYLE/COLOR

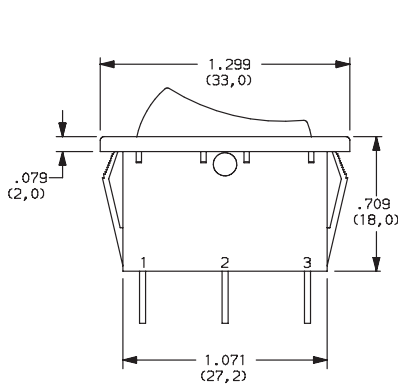


S2 SNAP-IN, BLACK

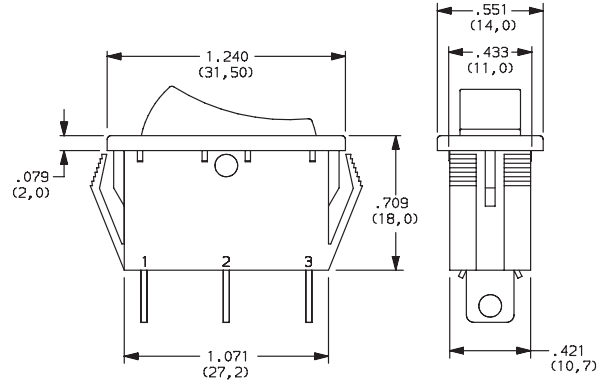
S1 SNAP-IN, WHITE

S4 SNAP-IN, BLACK (SHORT FRAME)

S3 SNAP-IN, WHITE

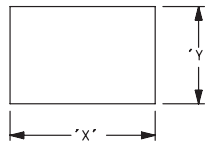


Shown in Pos. 1



Shown in Pos. 1

PANEL MOUNTING



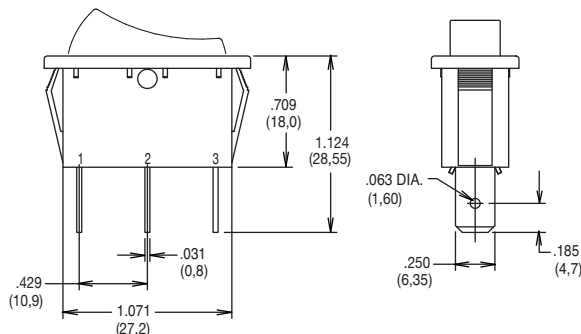
PANEL THICKNESS	"X"	"Y"
0.030-0.049 (0,75-1,25)	1.189-.004 (30,2-0,1)	0.441+.004 (11,2+0,1)
0.049-0.079 (1,25-2,0)	1.197-.004 (30,4-0,1)	0.441+.004 (11,2+0,1)
0.079-0.118 (2,0-3,0)	1.212-.004 (30,8-0,1)	0.441+.004 (11,2+0,1)

TERMINATION

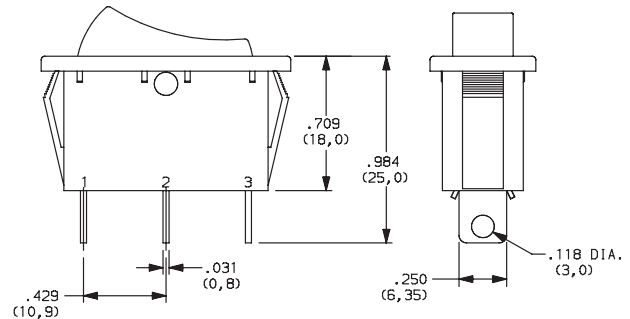


05 .250 QUICK CONNECT

07 SOLDER LUG



Shown in Pos. 1



NOTE: Available with CM101 & CM102 switch functions only.

Rocker



Third Angle Projection

Dimensions are shown: Inches (mm)
Specifications and dimensions subject to change

www.ck-components.com



G

C&K

CM Series Single Pole Power Rocker Switches

ACTUATOR MARKING



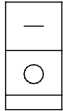
NONE NO MARKING



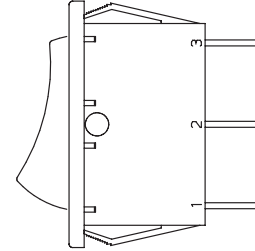
D ON-OFF



H 0 1



P 0 -



NOTE: Orientation of actuator marking and terminals.

Shown in Pos. 1

CONTACT MATERIAL



OPTION CODE	CONTACT AND TERMINAL MATERIAL	RATINGS	
		QA	SILVER

* Note: See Technical Data section of this catalog for RoHS compliant and compatible definitions and specifications.



LAMP RATING

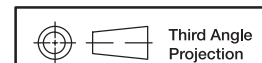


(NONE) NO LAMP

7 125 VAC 33kΩ NEON

8 250 VAC 150kΩ NEON

NOTE: Lamp rating for J3 & J8 actuator option.



Third Angle
Projection

Dimensions are shown: Inches (mm)
Specifications and dimensions subject to change

www.ck-components.com

Rocker



G