



Chipsmall Limited consists of a professional team with an average of over 10 year of expertise in the distribution of electronic components. Based in Hongkong, we have already established firm and mutual-benefit business relationships with customers from,Europe,America and south Asia,supplying obsolete and hard-to-find components to meet their specific needs.

With the principle of “Quality Parts,Customers Priority,Honest Operation,and Considerate Service”,our business mainly focus on the distribution of electronic components. Line cards we deal with include Microchip,ALPS,ROHM,Xilinx,Pulse,ON,Everlight and Freescale. Main products comprise IC,Modules,Potentiometer,IC Socket,Relay,Connector.Our parts cover such applications as commercial,industrial, and automotives areas.

We are looking forward to setting up business relationship with you and hope to provide you with the best service and solution. Let us make a better world for our industry!



Contact us

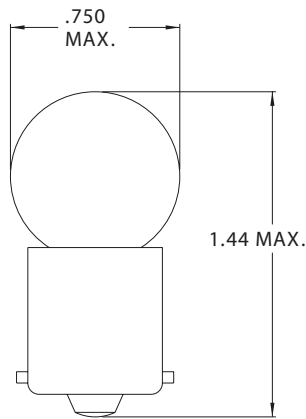
Tel: +86-755-8981 8866 Fax: +86-755-8427 6832

Email & Skype: info@chipsmall.com Web: www.chipsmall.com

Address: A1208, Overseas Decoration Building, #122 Zhenhua RD., Futian, Shenzhen, China

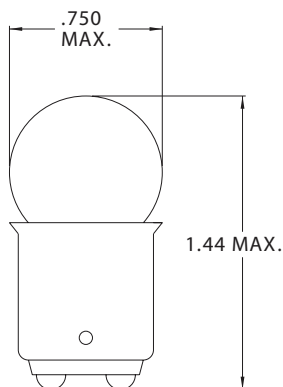


G-6 1/2 Contact Bayonet Base



Part Number	Design Voltage	Amps	MSCP	Life Hours	Filament Type
CM81	6.5	1.02	6.0	500	C-2R
CM63	7.0	.63	3.0	1,000	C-2R
CM89	13.0	.58	6.0	750	C-2R
CM98	13.0	.62	6.0	800	C-2V
CM67	13.5	.59	4.0	5,000	C-2R
CM69	13.5	.59	4.0	5,000	C-2F
CM97	13.5	.69	4.0	5,000	C-2V
CM1155	13.5	.59	4.0	5,000	C-2R
CM631	14.0	.63	6.0	1,000	C-2R
CM1247	14.0	.43	3.0	1,000	C-2R
CM71	22.0	.18	3.0	200	C-2V
CM509	24.0	.18	2.6	1,000	C-2V
CM303	28.0	.30	6.0	500	C-2F
CM623	28.0	.37	6.0	1,000	2C-2V
CM1251	28.0	.23	3.0	2,000	2C-2V
CM1223	32.0	.16	3.8	200	C-2V

G-6 1/2 Double Contact Bayonet Base



Part Number	Design Voltage	Amps	MSCP	Life Hours	Filament Type
CM82	6.5	1.02	6.0	500	C-2R
CM83	6.5	1.15	6.0	1,200	C-2R
CM1314	6.5	1.02	6.0	500	C-2R
CM64	7.0	.63	3.0	1,000	C-2R
CM90	13.0	.58	6.0	750	C-2R
CM99	13.0	.62	6.0	800	C-2V
CM68	13.5	.59	4.0	5,000	C-2R
CM96	13.5	.69	4.0	5,000	C-2V
CM1178	13.5	.69	4.0	5,000	C-2V
CM632	14.0	.63	6.0	1,000	2C-2R
CM72	22.0	.18	3.0	200	C-2V
CM304	28.0	.30	6.0	500	C-2F
CM624	28.0	.37	6.0	1,000	2C-2V
CM1252	28.0	.23	3.0	2,000	2C-2V
CM1224	32.0	.16	3.8	200	C-2F