



Chipsmall Limited consists of a professional team with an average of over 10 year of expertise in the distribution of electronic components. Based in Hongkong, we have already established firm and mutual-benefit business relationships with customers from,Europe,America and south Asia,supplying obsolete and hard-to-find components to meet their specific needs.

With the principle of “Quality Parts,Customers Priority,Honest Operation,and Considerate Service”,our business mainly focus on the distribution of electronic components. Line cards we deal with include Microchip,ALPS,ROHM,Xilinx,Pulse,ON,Everlight and Freescale. Main products comprise IC,Modules,Potentiometer,IC Socket,Relay,Connector.Our parts cover such applications as commercial,industrial, and automotives areas.

We are looking forward to setting up business relationship with you and hope to provide you with the best service and solution. Let us make a better world for our industry!



Contact us

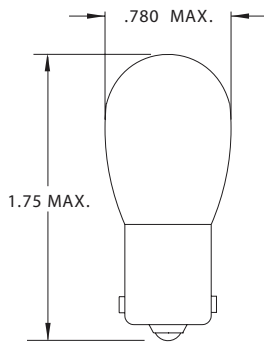
Tel: +86-755-8981 8866 Fax: +86-755-8427 6832

Email & Skype: info@chipsmall.com Web: www.chipsmall.com

Address: A1208, Overseas Decoration Building, #122 Zhenhua RD., Futian, Shenzhen, China

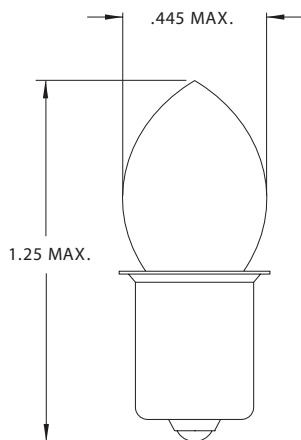


B-6 Single Bayonet Base



Part Number	Design Voltage	Amps	MSCP	Life Hours	Filament Type	Comments
CM1317	6.0	.45	3.4	100	C-6	
CM209	6.5	1.78	15.0	100	C-6	
CM105	12.8	1.00	12.0	500	C-6	
CM1003	12.8	.94	15.0	100	C-6	
CM601-1	28.0	.56	-	2,000	CC-81	Blk. Bonnet
CM1308	28.0	.56	16.0	2,000	CC-81	
CM1309	28.0	.52	15.0	300	2C-2R	

B-3 1/2 Single Contact Miniature Flange Base



Part Number	Design Voltage	Amps	MSCP	Life Hours	Filament Type	Comments
PR 8	1.90	.60	.65	10	C-2R	
PR 1	2.00	.95	1.00	40	C-2R	
PR 28	2.20	.80	.90	20	C-6	
PR 4	2.33	.27	.40	10	C-2R	
PR 5	2.35	.35	.45	35	C-2R	
PR 2	2.38	.50	.80	15	C-2R	
KPR 102	2.40	.70	1.30	15	C-2R	Krypton Gas Fill
KPR 131	2.40	.84	1.47	15	C-2R	Krypton Gas Fill
PR 6	2.47	.30	.45	30	C-2R	
PR 9	2.70	.15	.25	45	C-2R	
CM395X	3.00	.07	.15	50	S-2	
PR 3	3.57	.50	1.50	15	C-2R	
KPR 103	3.60	.70	2.70	15	C-2R	Krypton Gas Fill
PR 29	3.60	.20	.60	30	C-2R	
PR 7	3.70	.30	.90	30	C-2R	
PR 30	3.75	.86	2.25	40	C-2R	
PR 13	4.75	.50	2.00	15	C-2R	
KPR 113	4.80	.70	4.06	15	C-2R	Krypton Gas Fill
PR 15	4.82	.50	2.00	30	C-2R	
PR 17	4.90	.30	1.20	30	C-2R	
PR 12	5.95	.50	3.00	15	C-2R	
KPR 118	7.20	.55	5.23	15	C-2R	Krypton Gas Fill
PR 18	7.20	.55	4.20	20	C-2R	
PR 20	8.63	.50	5.00	15	C-2R	
PR 16	12.50	.25	2.70	50	C-2R	