



Chipsmall Limited consists of a professional team with an average of over 10 year of expertise in the distribution of electronic components. Based in Hongkong, we have already established firm and mutual-benefit business relationships with customers from,Europe,America and south Asia,supplying obsolete and hard-to-find components to meet their specific needs.

With the principle of "Quality Parts,Customers Priority,Honest Operation,and Considerate Service",our business mainly focus on the distribution of electronic components. Line cards we deal with include Microchip,ALPS,ROHM,Xilinx,Pulse,ON,Everlight and Freescale. Main products comprise IC,Modules,Potentiometer,IC Socket,Relay,Connector.Our parts cover such applications as commercial,industrial, and automotives areas.

We are looking forward to setting up business relationship with you and hope to provide you with the best service and solution. Let us make a better world for our industry!



Contact us

Tel: +86-755-8981 8866 Fax: +86-755-8427 6832

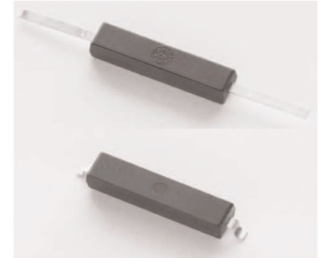
Email & Skype: info@chipsmall.com Web: www.chipsmall.com

Address: A1208, Overseas Decoration Building, #122 Zhenhua RD., Futian, Shenzhen, China




DESCRIPTION

Coto's Molded DYAD dry reed switch is ideally suited for small signal switching applications. This switch has sputtered ruthenium contacts and an extraordinary seal strength achieved by a patented laser sealed glass. In low level dry switching environments, this switch typically provides > 1 billion operations. It has hermetically sealed contacts and offers a wide range of available magnetic sensitivities. In addition, the molding process provides a solid plastic outer shell. This plastic shell provides superior mechanical strength, eliminates concerns over handling glass switches, and provides an ideal solution for high speed, automated assembly environments.



FEATURES

- Small size
- SMT-compatible
- Easily formed leads
- Sputtered ruthenium contacts
- Hermetically sealed contacts
- Fast switching speed - up to 500Hz
- Wide range of available magnetic sensitivities
- Superior mechanical strength
- Enhanced for better auto placement
- RoHS Compliant 

APPLICATIONS

- Security
 - proximity sensors
 - smoke alarms
- Automotive
 - level sensor
 - lamp current sensor
- Relays

SPECIFICATIONS

All parameters are at 25°C unless otherwise stated

Parameters	Conditions	Min	Typ	Max	Units
Contact Ratings					
Operate ampere turns range	Full Blade Tolerance = +/-1.5 NI	10		30	NI
Release ampere turns range	Full Blade Tolerance = +/-1.5 NI	5		30	NI
Switching Voltage	Max DC/PeakAC Resistive			200	VDC
Switching Current	Max DC/PeakAC Resistive			0.5	Amps
Carry Current	Max DC/PeakAC Resistive			1.5	Amps
Contact Rating	Max DC/PeakAC Resistive			10	VA
Life Expectancy	1V, 10mA Signal Level		1000		x10 ⁶ Ops
	10V, 10mA Low Level		500		x10 ⁶ Ops
	50V, 100mA Telecom Load		2		x10 ⁶ Ops
	100V, 100mA Rated Loads		2		x10 ⁶ Ops
Static Contact Resistance	50mV, 10mA ¹		80	150	mOhms
Contact Material			Ru		
Switch Specifications					
Insulation Resistance ²	100V, 25°C, 40% RH	10 ⁹	10 ¹¹		Ohms
Capacitance	Across Open Contacts		0.3		pF
Dielectric Strength ⁴	Between Contacts	250	300		VDC/Peak AC
	At nominal coil voltage, 10Hz Square Wave			0.5	ms
Operate Time, including bounce					
Release Time	Zener-Diode Suppression ³			0.2	ms
Environmental Ratings					
Storage Temperature		-40		+125	°C
Operating Temperature		-40		+125	°C
Soldering Temperature				+240	°C
Vibration Resistance	5Hz - 200Hz			20	Gs
Shock Resistance	11+/-1ms, sine wave			30	Gs
Shock Resistance-survivability	11+/-1ms, sine wave			500	Gs

¹ Contact resistance measured with 4 terminal method, 1.1" between test leads

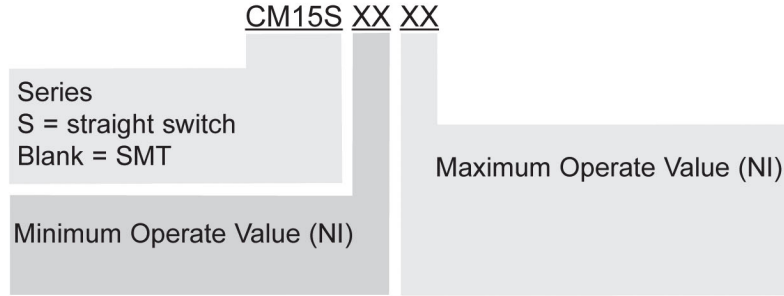
² >10¹² ohms is available upon request

³ A 24V zener in series with a diode across the coil

⁴ 15 ampere turn minimum

ORDERING INFORMATION

A complete part number is represented by the digits below



Surface Mount

Refer to operating characteristics table for a complete part number.

Overmolded DYAD

Part #	Operate Range (NI) ¹
CM15S1015	10 to 15
CM15S1020	10 to 20
CM15S1030	10 to 30
CM15S1520	15 to 20
CM15S1525	15 to 25
CM15S2025	20 to 25

¹ Tolerance = +/-1.5NI

Overmolded DYAD Surface Mount

Part #	Operate Range (NI) ^{1,2,3}
CM15-2024	10 to 15
CM15-2259	10 to 20
CM15-2282	10 to 30
CM15-2025	15 to 20
CM15-2249	15 to 25
CM15-2026	20 to 25

¹ Tolerance = +/-1.5NI

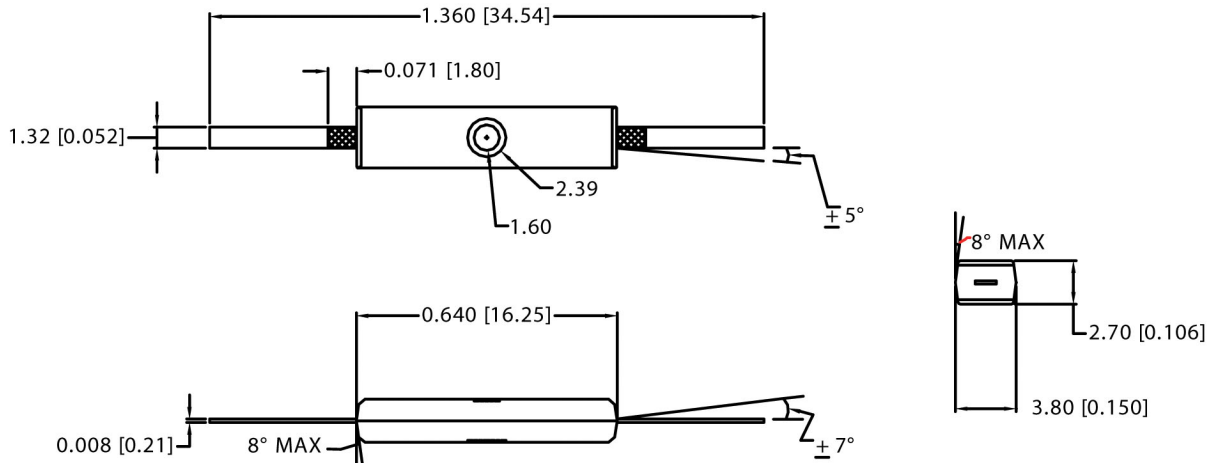
² Full Blade Sensitivity

³ Surface Mount switches are packaged 3,000 parts per reel

MECHANICAL DIMENSIONS

Dimensions in inches (mm)

Overmolded DYAD



MECHANICAL DIMENSIONS

Dimensions in inches (mm)

Overmolded DYAD SMT

