



Chipsmall Limited consists of a professional team with an average of over 10 year of expertise in the distribution of electronic components. Based in Hongkong, we have already established firm and mutual-benefit business relationships with customers from,Europe,America and south Asia,supplying obsolete and hard-to-find components to meet their specific needs.

With the principle of “Quality Parts,Customers Priority,Honest Operation,and Considerate Service”,our business mainly focus on the distribution of electronic components. Line cards we deal with include Microchip,ALPS,ROHM,Xilinx,Pulse,ON,Everlight and Freescale. Main products comprise IC,Modules,Potentiometer,IC Socket,Relay,Connector.Our parts cover such applications as commercial,industrial, and automotives areas.

We are looking forward to setting up business relationship with you and hope to provide you with the best service and solution. Let us make a better world for our industry!



Contact us

Tel: +86-755-8981 8866 Fax: +86-755-8427 6832

Email & Skype: info@chipsmall.com Web: www.chipsmall.com

Address: A1208, Overseas Decoration Building, #122 Zhenhua RD., Futian, Shenzhen, China



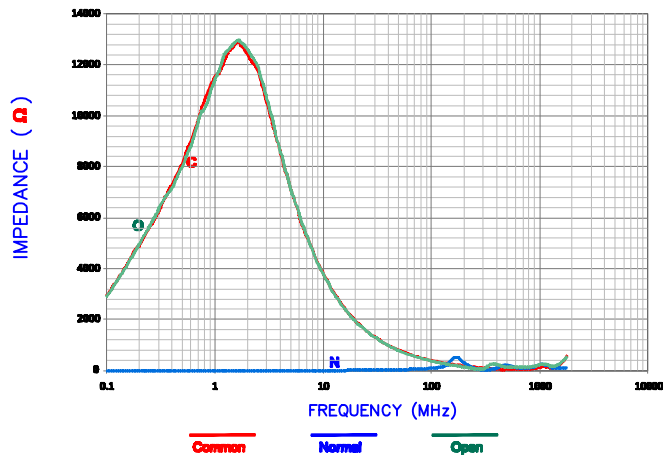
CM2824B103R-10

PHYSICAL DIMENSIONS:

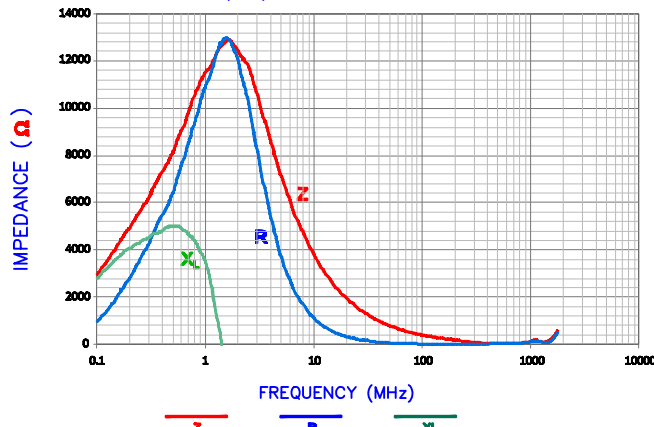
A	7.50 [.295]	MAX.
A1	9.00 [.354]	+ 0.40 [.016]
B	5.50 [.217]	MAX.
C	3.80 [.150]	MAX.
C1	4.90 [.193]	MAX
D	2.54 [.100]	+ 0.10 [.004]
T1	1.75 [.069]	TYP.
T2	0.50 [.020]	+ 0.10 [.004]
T3	0.30 [.012]	+ 0.10 [.004]

WEIGHT/1000 0.28 kgs [.62 Lbs]

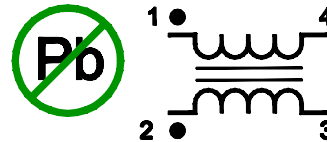
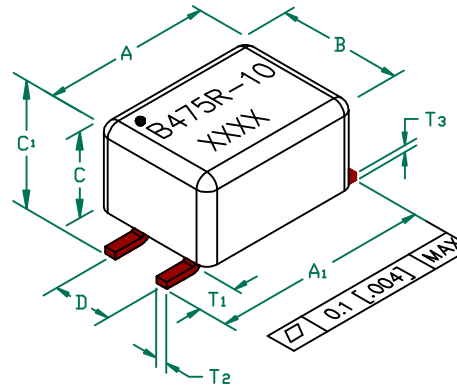
Z vs. FREQUENCY (C,N,O)



Z, R, XL vs. FREQUENCY



UNCONTROLLED DOCUMENT



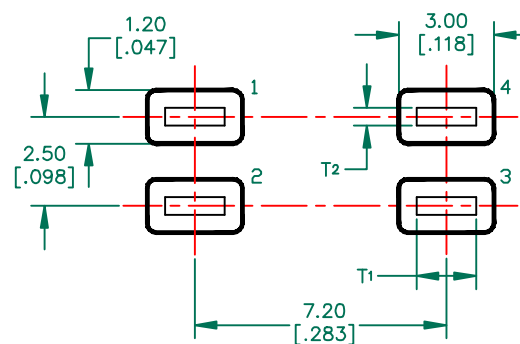
ELECTRICAL SPECIFICATION @ 25°C
OPERATING TEMPERATURE RANGE: -40°C TO +100°C

PARAMETER SYMBOL	REQUIREMENTS		
	MIN	TYP	MAX
Z SPEC @ 1 MHz	7,500	10,000	
DCR (Ω)			1.30
RATED CURRENT (mA)			200
RATED VOLTAGE (Vdc)			80

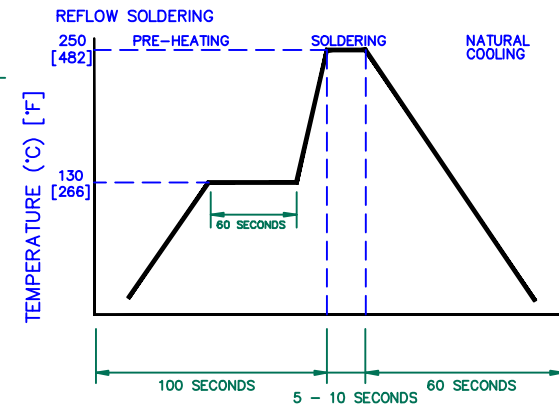
NOTES: UNLESS OTHERWISE SPECIFIED

1. TAPED AND REELED ON 13" REELS, 1500 PCS/REEL.
2. OPEN BOTTOM CONSTRUCTION.
3. COMPONENTS SHOULD BE ADEQUATELY PREHEATED BEFORE SOLDERING.

LAND PATTERNS FOR REFLOW SOLDERING



RECOMMENDED SOLDERING CONDITIONS



DIMENSIONS ARE IN mm [INCHES].

G	ADD RATING VOLTAGE	07/25/13	QIU	This print is the property of Laird Tech. and is loaned in confidence subject to return upon request and with the understanding that no copies shall be made without the written consent of Laird Tech. All rights to design or invention are reserved.			
F	CHANGE OPERATING TEMPERATURE FROM 0~100°C	12/17/12	QIU				
E	CHANGE OPERATING TEMPERATURE AND REMOVE INPEDANCE UPPER SPEC	01/29/10	JUN				
D	CHANGE CURVE	11/03/09	JUN				
C	UPDATE COMPANY LOGO	05/01/09	JRK				
B	CHANGE CURRENT RATING FROM 400 mA	02/19/07	JRK	PROJECT/PART NUMBER: CM2824B103R-10	REV G	PART TYPE: COMMON MODE CHOKES	DRAWN BY: JRK
A	ORIGINAL DRAFT	05/16/06	JRK	DATE: 05/16/06	SCALE: NTS	SHEET: 1 of 1	
REV	DESCRIPTION	DATE	INT	CAD # CM2824B103R-10-G	TOOL # -		

