



Chipsmall Limited consists of a professional team with an average of over 10 year of expertise in the distribution of electronic components. Based in Hongkong, we have already established firm and mutual-benefit business relationships with customers from,Europe,America and south Asia,supplying obsolete and hard-to-find components to meet their specific needs.

With the principle of "Quality Parts,Customers Priority,Honest Operation,and Considerate Service",our business mainly focus on the distribution of electronic components. Line cards we deal with include Microchip,ALPS,ROHM,Xilinx,Pulse,ON,Everlight and Freescale. Main products comprise IC,Modules,Potentiometer,IC Socket,Relay,Connector.Our parts cover such applications as commercial,industrial, and automotives areas.

We are looking forward to setting up business relationship with you and hope to provide you with the best service and solution. Let us make a better world for our industry!



Contact us

Tel: +86-755-8981 8866 Fax: +86-755-8427 6832

Email & Skype: info@chipsmall.com Web: www.chipsmall.com

Address: A1208, Overseas Decoration Building, #122 Zhenhua RD., Futian, Shenzhen, China



PHYSICAL DIMENSIONS:

A	7.50 [.295]	+	MAX.
A ₁	9.00 [.354]	+	0.40 [.016]
B	5.50 [.217]	+	MAX.
C	3.80 [.150]	+	MAX.
C ₁	4.90 [.193]	+	MAX.
D	2.54 [.100]	+	0.10 [.004]
T ₁	1.75 [.069]	+	TYP.
T ₂	0.50 [.020]	+	0.10 [.004]
T ₃	0.30 [.012]	+	0.10 [.004]

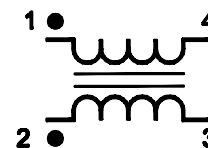
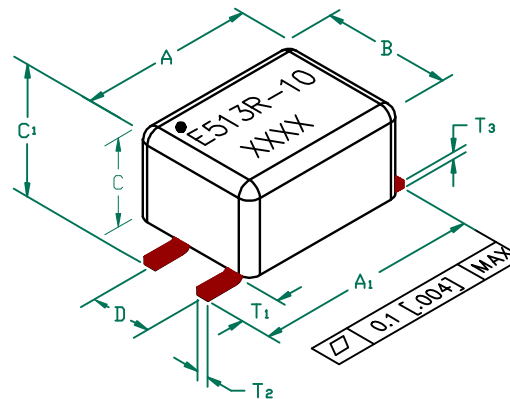
WEIGHT/1000 0.28 kgs [.62 Lbs]

CM2824E352R-10

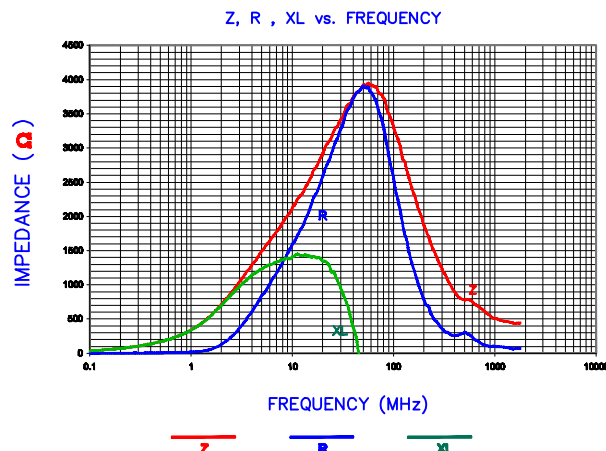
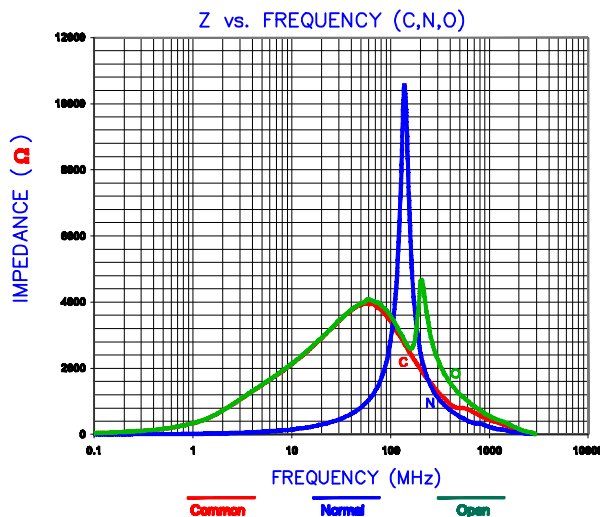
UNCONTROLLED DOCUMENT

ELECTRICAL SPECIFICATION @ 25°C
OPERATING TEMPERATURE RANGE: -40°C TO +125°C

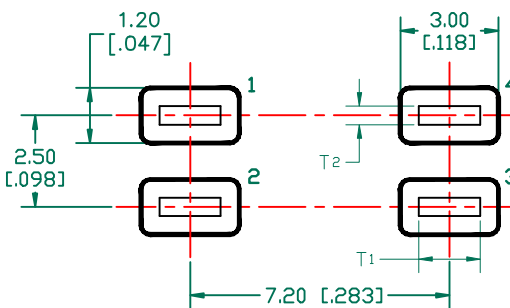
PARAMETER SYMBOL	REQUIREMENTS		
	MIN	TYP	MAX
Z SPEC @ 100 MHz	2,625	3,500	
DCR (Ω)			0.30
RATED CURRENT (mA)			800
RATED VOLTAGE (Vdc)			80



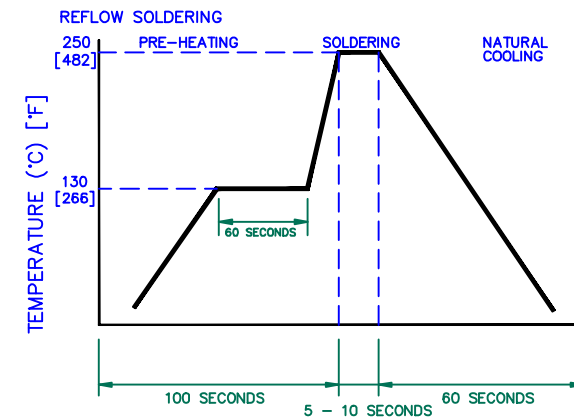
- NOTES: UNLESS OTHERWISE SPECIFIED
1. TAPED AND REELED ON 13" REELS, 1500 PCS/REEL.
 2. OPEN BOTTOM CONSTRUCTION.
 3. COMPONENTS SHOULD BE ADEQUATELY PREHEATED BEFORE SOLDERING.



LAND PATTERNS FOR REFLOW SOLDERING



RECOMMENDED SOLDERING CONDITIONS



DIMENSIONS ARE IN mm [INCHES].				This print is the property of Laird Tech. and is loaned in confidence subject to return upon request and with the understanding that no copies shall be made without the written consent of Laird Tech. All rights to design or invention are reserved.			
E	ADD RATING VOLTAGE	07/25/13	QIU	PROJECT/PART NUMBER:	REV	PART TYPE:	DRAWN BY:
D	REMOVE IMPEDANCE UPPER SPEC	02/02/10	JUN	CM2824E352R-10	D	COMMON MODE CHOKE	JRK
C	UPDATE COMPANY LOGO	05/06/09	JRK	DATE:	SCALE:	SHEET:	
B	UPDATE COMPANY LOGO	11/20/07	JRK	05/16/06	NTS		
A	ORIGINAL DRAFT	05/16/06	JRK	CAD #	TOOL #		1 of 1
REV	DESCRIPTION	DATE	INT	CM2824E352R-10-D			