



Chipsmall Limited consists of a professional team with an average of over 10 year of expertise in the distribution of electronic components. Based in Hongkong, we have already established firm and mutual-benefit business relationships with customers from,Europe,America and south Asia,supplying obsolete and hard-to-find components to meet their specific needs.

With the principle of “Quality Parts,Customers Priority,Honest Operation,and Considerate Service”,our business mainly focus on the distribution of electronic components. Line cards we deal with include Microchip,ALPS,ROHM,Xilinx,Pulse,ON,Everlight and Freescale. Main products comprise IC,Modules,Potentiometer,IC Socket,Relay,Connector.Our parts cover such applications as commercial,industrial, and automotives areas.

We are looking forward to setting up business relationship with you and hope to provide you with the best service and solution. Let us make a better world for our industry!



## Contact us

Tel: +86-755-8981 8866 Fax: +86-755-8427 6832

Email & Skype: info@chipsmall.com Web: www.chipsmall.com

Address: A1208, Overseas Decoration Building, #122 Zhenhua RD., Futian, Shenzhen, China



# TUNING FORK CRYSTAL UNIT (SMD • Ceramic Package)

RoHS compliant / Pb free

## CM315DL

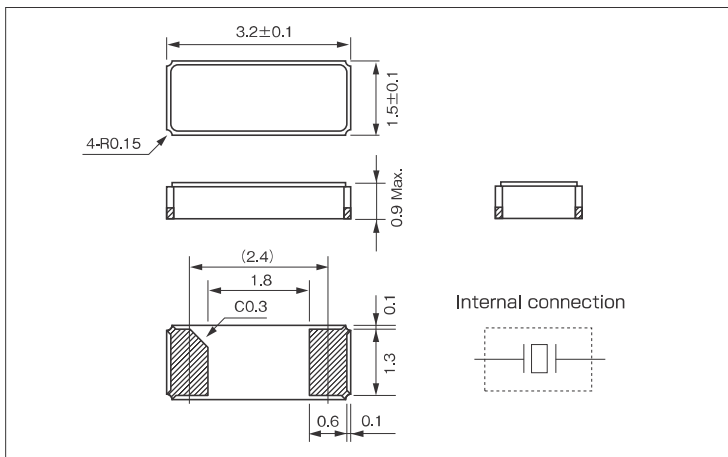
3000pcs/reel



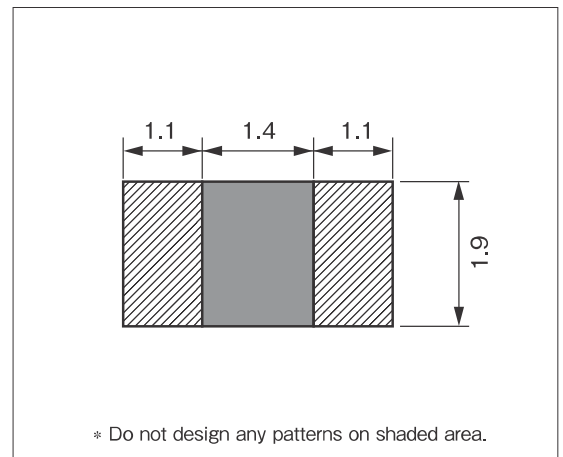
### FEATURES

- Tuning fork crystal with ceramic packaged SMD type for low current consumption IC.
- Reduced motional resistance by 30% compared with existing models.
- Most appropriate for portable devices, mobile telecommunication devices and wearable devices.

### DIMENSION [mm]



### SOLDER PAD LAYOUT [mm]



### STANDARD SPECIFICATIONS

Item	Model	CM315DL	Conditions
Nominal Frequency	$f_0$	32.768kHz	
Frequency Tolerance	$\Delta f/f_0$	$\pm 20$ ppm	at 25°C
Load capacitance	$C_L$	9.0pF, 12.5pF	Need to specify your requirement
Operating Temperature Range	$T_{OPR}$	-40°C ~ +85°C	
Storage Temperature Range	$T_{STR}$	-55°C ~ +125°C	
Turnover Temperature	$T_M$	25°C $\pm$ 5°C	
Temperature Coefficient	$\beta$	$-0.034 \pm 0.006$ ppm/°C <sup>2</sup>	
Motional (series) resistance	$R_1$	50K $\Omega$ Max.	at 25°C
Level of drive	$D_L$	0.5 $\mu$ W Max.	
Aging (first year)	$\Delta f/f_0$	$\pm 3$ ppm Max.	25°C $\pm$ 3°C
Shunt capacitance	$C_0$	1.30pF Typ.	