



Chipsmall Limited consists of a professional team with an average of over 10 year of expertise in the distribution of electronic components. Based in Hongkong, we have already established firm and mutual-benefit business relationships with customers from,Europe,America and south Asia,supplying obsolete and hard-to-find components to meet their specific needs.

With the principle of “Quality Parts,Customers Priority,Honest Operation,and Considerate Service”,our business mainly focus on the distribution of electronic components. Line cards we deal with include Microchip,ALPS,ROHM,Xilinx,Pulse,ON,Everlight and Freescale. Main products comprise IC,Modules,Potentiometer,IC Socket,Relay,Connector.Our parts cover such applications as commercial,industrial, and automotives areas.

We are looking forward to setting up business relationship with you and hope to provide you with the best service and solution. Let us make a better world for our industry!



## Contact us

Tel: +86-755-8981 8866 Fax: +86-755-8427 6832

Email & Skype: info@chipsmall.com Web: www.chipsmall.com

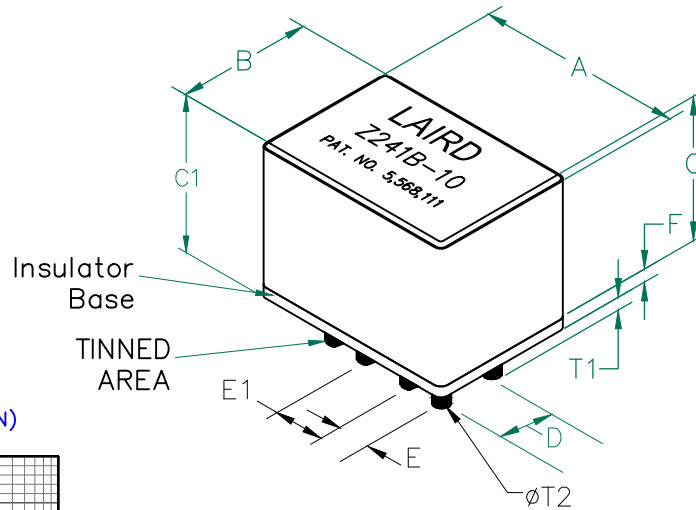
Address: A1208, Overseas Decoration Building, #122 Zhenhua RD., Futian, Shenzhen, China



**PHYSICAL DIMENSIONS:**

A	14.48 [.570]	+ .23 [.009]	-	0.23 [.009]
B	10.03 [.395]	+ .15 [.006]	-	0.15 [.006]
C	9.78 [.385]	+ .15 [.006]	-	0.15 [.006]
C1	10.90 [.429]	+ .23 [.009]	-	0.59 [.023]
D	4.06 [.160]	+ .13 [.005]	-	0.13 [.005]
E	2.54 [.100]	+ .13 [.005]	-	0.13 [.005]
E1	3.45 [.136]	+ .13 [.005]	-	0.13 [.005]
F	0.76 [.030]	+ .08 [.003]	-	0.08 [.003]
T <sub>1</sub>	3.20 [.126]	+ .25 [.010]	-	0.25 [.010]
T <sub>2</sub>	1.09 [.043]			REF.

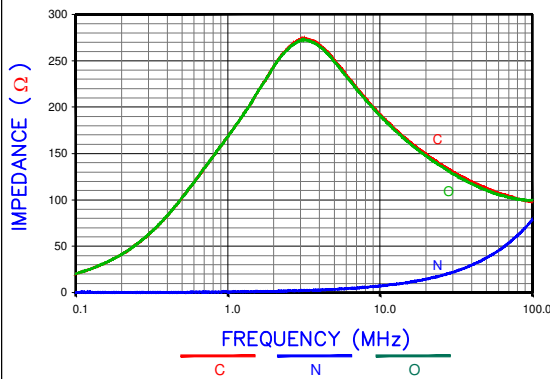
# CM5740Z241B-10



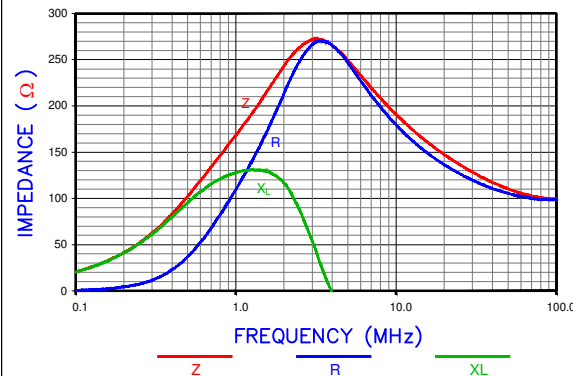
ELECTRICAL CHARACTERISTICS:			
Z @ 4 MHz (2-TURN) (Ω)	DCR (Ω) VALUE PER TURN	Rated Current	
Nominal	240		
Minimum	180		
Maximum	-	0.0013	20,000 mA

- NOTES: UNLESS OTHERWISE SPECIFIED
1. BULK PACKAGED, 825 PCS PER CASE.
  2. COMPONENTS SHOULD BE ADEQUATELY PREHEATED BEFORE SOLDERING.
  3. LINE TO LINE HI-POT: > 500 VDC.
  4. OPERATION TEMPERATURE (INCLUDING SELF-HEATING): -40 ~ +125°C.

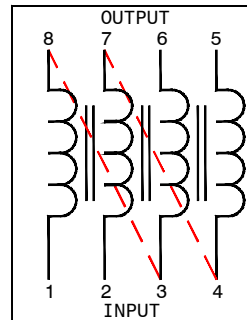
Z vs. FREQUENCY (C,O,N) (2-TURN)



Z, R, XL vs. FREQUENCY (2-TURN)

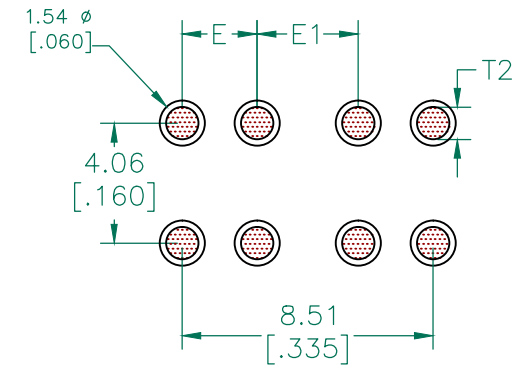


Two Turn Equivalent Circuits



RoHS

HOLE PATTERNS FOR WAVE SOLDERING



**UNCONTROLLED DOCUMENT**

DIMENSIONS ARE IN mm (INCHES).				This print is the property of Laird Tech. and is loaned in confidence subject to return upon request and with the understanding that no copies shall be made without the written consent of Laird Tech. All rights to design or invention are reserved.			
F	CHANGE DIMENSIONS C1 AND NOTE 4	07/06/15	QU	PROJECT/PART NUMBER: <b>CM5740Z241B-10</b>	REV	PART TYPE:	DRAWN BY:
E	UPDATE COMPANY LOGO & KAPTON LABEL	11/18/08	JRK		F	ASSEMBLY	JRK
D	ADD TWO LINES TO CENTER OF EQUIVALENT CIRCUIT DIAGRAM	04/16/07	JRK		SCALE:	NTS	SHEET:
C	MOVE CURRENT RATING TO MAX.FROM MIN.	02/23/07	JRK		DATE:	02/10/04	TOOL #
B	RE-ACTIVATE PRINT ADD ROHS SYMBOL CHANGE NOTES REMOVE VIEW	01/03/06	JRK		CAD #		
A	ORIGINAL DRAFT	02/10/04	JRK	CM5740Z241B-10-F-1			1 of 2
REV	DESCRIPTION	DATE	INT				