



Chipsmall Limited consists of a professional team with an average of over 10 year of expertise in the distribution of electronic components. Based in Hongkong, we have already established firm and mutual-benefit business relationships with customers from,Europe,America and south Asia,supplying obsolete and hard-to-find components to meet their specific needs.

With the principle of "Quality Parts,Customers Priority,Honest Operation,and Considerate Service",our business mainly focus on the distribution of electronic components. Line cards we deal with include Microchip,ALPS,ROHM,Xilinx,Pulse,ON,Everlight and Freescale. Main products comprise IC,Modules,Potentiometer,IC Socket,Relay,Connector.Our parts cover such applications as commercial,industrial, and automotives areas.

We are looking forward to setting up business relationship with you and hope to provide you with the best service and solution. Let us make a better world for our industry!



Contact us

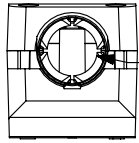
Tel: +86-755-8981 8866 Fax: +86-755-8427 6832

Email & Skype: info@chipsmall.com Web: www.chipsmall.com

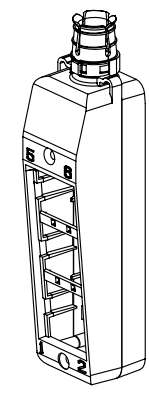
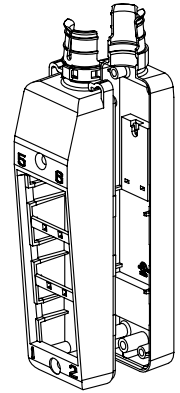
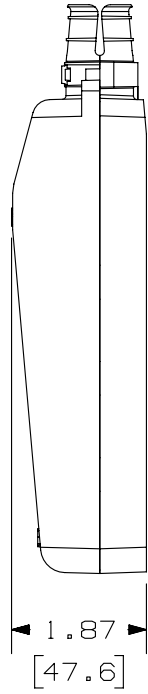
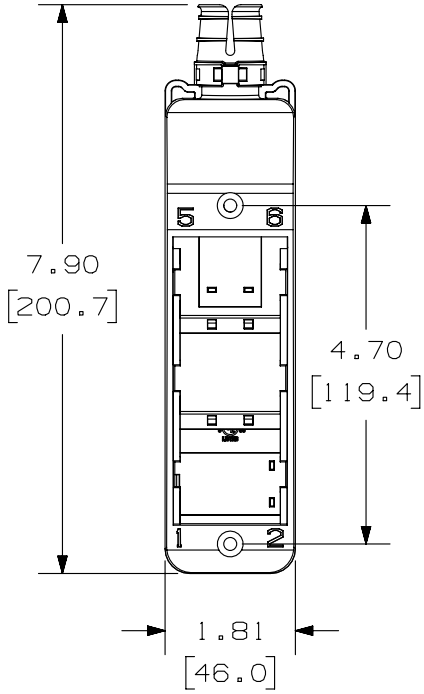
Address: A1208, Overseas Decoration Building, #122 Zhenhua RD., Futian, Shenzhen, China



THIS COPY IS PROVIDED ON A RESTRICTED BASIS AND IS NOT TO BE USED IN ANY WAY DETRIMENTAL TO THE INTERESTS OF PANDUIT CORP.



.69 DIA
[17.6]



| PANDUIT P/N | WEIGHT |
|-------------|------------------------------------|
| CM6P** | 2.06 LB/10 PCS (933.5 g/10 PCS) |

NOTES:

- SEE CURRENT CATALOG FOR ADDITIONAL PART NUMBER SUFFIXES TO INDICATE COLOR AND OR PACKAGE QUANTITY.
- SEE CATALOG FOR COMPLETE LIST OF PARTS APPLICABLE FOR USE WITH THIS PART.
- DIMENSIONS IN [] ARE IN METRIC.
- PART INCLUDES:
 - 1- BASE
 - 1- COVER
 - 4- MOUNTING SCREW(USED TO SECURE COVER TO BASE)
 - 2- CABLE TIE
 - 1- HEAT SHRINK TUBING
 - 2- ADHESIVE TAPE

*ACCEPTS 3 1/2 SLOPED INSERTS, NOT INCLUDED

| | |
|--|--------------------------------|
| PART NUMBER CM6P** | |
| TITLE MINI-COM 6 POSITION MUTOA BOX | |
| CUSTOMER DRAWING | |
| ITEM REVISION NAME M02090AA/07 | PANDUIT |
| DATASET FILE NAME M02090AA_DC/07A | |
| UNLESS OTHERWISE SPECIFIED, DIMENSIONAL TOLERANCES ARE: IN [mm] | |
| .X ± .XX ± .03 [.8] | .XXX ± .010 [.3] ANGLES ± |
| DRAWING NUMBER: 02090-03 | |
| DRAWN BY JSP | DATE 11-15-04 |
| CHK EB | SCALE NONE |
| SHT 1 OF 1 | |
| SIZE A | |

| REV | DATE | BY | CHK | APR | DESCRIPTION | ECN |
|-----|--------|-----|------|-----|--|----------|
| 2 | 5/1/14 | JSP | REFR | MMR | REVISED AND REDRAWN, PREVIOUS REVISIONS HAVE BEEN OMITTED. | 02090-03 |

D10100DA/14