



Chipsmall Limited consists of a professional team with an average of over 10 year of expertise in the distribution of electronic components. Based in Hongkong, we have already established firm and mutual-benefit business relationships with customers from,Europe,America and south Asia,supplying obsolete and hard-to-find components to meet their specific needs.

With the principle of “Quality Parts,Customers Priority,Honest Operation,and Considerate Service”,our business mainly focus on the distribution of electronic components. Line cards we deal with include Microchip,ALPS,ROHM,Xilinx,Pulse,ON,Everlight and Freescale. Main products comprise IC,Modules,Potentiometer,IC Socket,Relay,Connector.Our parts cover such applications as commercial,industrial, and automotives areas.

We are looking forward to setting up business relationship with you and hope to provide you with the best service and solution. Let us make a better world for our industry!



Contact us

Tel: +86-755-8981 8866 Fax: +86-755-8427 6832

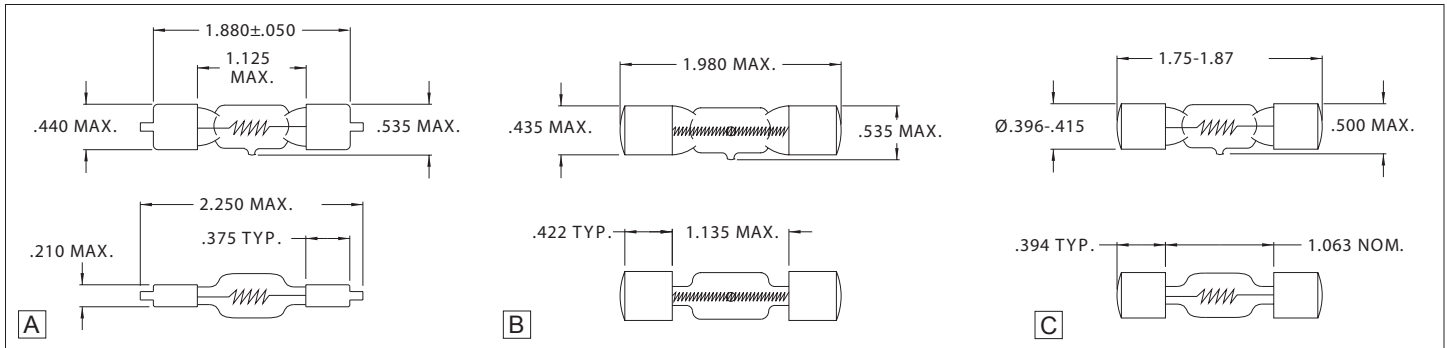
Email & Skype: info@chipsmall.com Web: www.chipsmall.com

Address: A1208, Overseas Decoration Building, #122 Zhenhua RD., Futian, Shenzhen, China



Axial Filament Halogen Lamp

Description and Features



All dimensions are in inches.

Description:

These Axial Filament Halogen Lamps were primarily designed for aircraft navigation lights although their unique configurations, rugged construction and exceptionally high light output make them the ideal light source for many applications.

Part No.	Volts	Watts	Filament Shape	Nominal MSCP	Laboratory Life Hours	Configuration
CM1964	28.0	150	30° Spot	230	1000	A
CM1967	28.0	150	12° N Spot	210	1000	A
CM1970*	28.0	100	38° Flood	150	1000	A
CM1970X	28.0	100	12° N Spot	140	1000	A
CM1978X*	10.0	100	38° Flood	130	2000	B
CM8-A103	28.0	50	12° N Spot	60	1000	C

* Lamp has a supported filament.

Materials:

Globe: Quartz Glass
Base: Nickel Plated Brass
Atmosphere: Halogen Gas

Caution:

These halogen cycle lamps may shatter if scratched or damaged. Use these lamps in fixtures designed for their high operating temperature. Always turn power off when changing these lamps. For satisfactory performance limit the seal and wire lead temperature to 350°C to avoid deterioration. Maintain a minimum lamp wall temperature of 250°C to assure the halogen cycle occurs. Remove all grease and fingerprints from these lamps before operation. Never exceed the design voltage of these lamps.