



Chipsmall Limited consists of a professional team with an average of over 10 year of expertise in the distribution of electronic components. Based in Hongkong, we have already established firm and mutual-benefit business relationships with customers from,Europe,America and south Asia,supplying obsolete and hard-to-find components to meet their specific needs.

With the principle of “Quality Parts,Customers Priority,Honest Operation,and Considerate Service”,our business mainly focus on the distribution of electronic components. Line cards we deal with include Microchip,ALPS,ROHM,Xilinx,Pulse,ON,Everlight and Freescale. Main products comprise IC,Modules,Potentiometer,IC Socket,Relay,Connector.Our parts cover such applications as commercial,industrial, and automotives areas.

We are looking forward to setting up business relationship with you and hope to provide you with the best service and solution. Let us make a better world for our industry!



## Contact us

Tel: +86-755-8981 8866 Fax: +86-755-8427 6832

Email & Skype: info@chipsmall.com Web: www.chipsmall.com

Address: A1208, Overseas Decoration Building, #122 Zhenhua RD., Futian, Shenzhen, China



# SPECIFICATION CONTROL DRAWING

**CMC-0587**

TITLE	WIRE, RADIATION-CROSSLINKED, MODIFIED FLEXIBLE ETFE-INSULATED, NORMAL WEIGHT, GENERAL PURPOSE, 600 VOLT	Date	2-16-11	Revision	M
-------	---	------	---------	----------	---

This specification sheet forms a part of the latest issue of Raychem Specification 80.

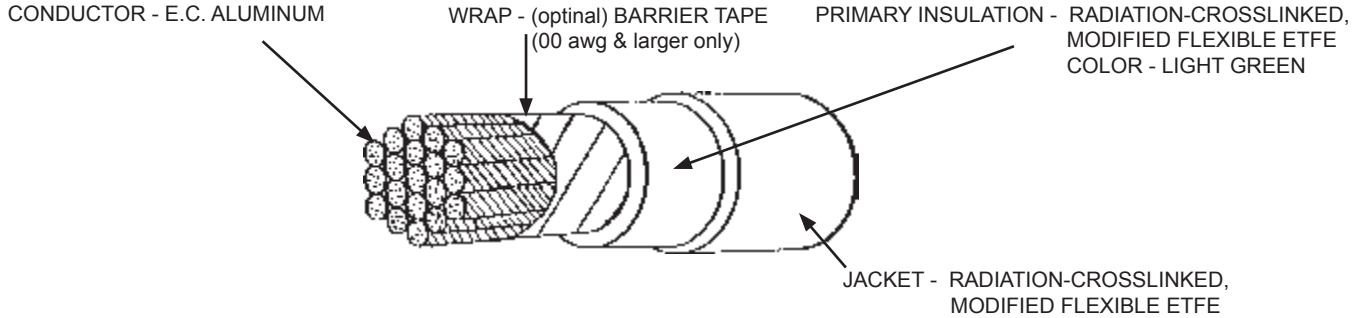


TABLE I. CONSTRUCTION DETAILS

PART NUMBER 1/	WIRE SIZE (AWG)	CONDUCTOR STRANDING (number x AWG)	DIAMETER OF STRANDED CONDUCTOR (in.)		FINISHED WIRE		
			MINIMUM	MAXIMUM	MAXIMUM RESISTANCE AT 20°C (ohms/1000 ft.)	DIAMETER (in.)	MAXIMUM WEIGHT (lbs/1000 ft.)
CMC-0587-8-*	8	41 x 24	.150	.160	1.09	.216 ± .008	32.3
CMC-0587-6-*	6	70 x 24	.201	.211	.641	.267 ± .010	48.9
CMC-0587-4-*	4	107 x 24	.248	.262	.427	.325 ± .010	71.5
CMC-0587-2-*	2	168 x 24	.310	.330	.268	.407 ± .016	114.
CMC-0587-0-*	0	259 x 24	.396	.420	.169	.504 ± .016	170.
CMC-0587-00-*	00	334 x 24	.454	.478	.133	.553 ± .016	201.
CMC-0587-000-*	000	427 x 24	.511	.535	.109	.630 ± .016	257.
CMC-0587-0000-*	0000	523 x 24	.563	.587	.089	.685 ± .016	304.

TABLE II. PERFORMANCE DETAILS

PART NUMBER 1/	BEND TESTING	
	MANDREL DIAMETER (inch) (± 3%)	WEIGHT (lb) (± 3%)
	CROSSLINKING PROOF TEST	CROSSLINKING PROOF TEST
CMC-0587-8-*	3.00	3.00
CMC-0587-6-*	4.00	3.00
CMC-0587-4-*	5.00	3.00
CMC-0587-2-*	6.00	4.00
CMC-0587-0-*	8.00	4.00
CMC-0587-00-*	9.00	4.00
CMC-0587-000-*	10.0	4.00
CMC-0587-0000-*	12.0	4.00

Users should evaluate the suitability of this product for their application. Specifications are subject to change without notice. Tyco Electronics also reserves the right to make changes in materials or processing, which do not affect compliance with any specification, without notification to Buyer.

1/ COLORS AND COLOR CODE DESIGNATORS SHALL BE IN ACCORDANCE WITH MIL-STD-681. OTHER CODES AND SUFFIXES MAY BE ADDED TO THE PART NUMBER. AS NECESSARY, TO CAPTURE ANY ADDITIONAL REQUIREMENTS IMPOSED BY THE PURCHASE ORDER.

Page 1 of 2	The TE logo, Tyco Electronics and Raychem are trademarks.		Raychem Wire & Cable 501 Oaks Avenue Redwood City, CA 94063-3800 Phone: 1-800-227-8816 Fax: 1-650-361-6297
	DIMENSIONS ARE IN INCHES, AND UNLESS OTHERWISE DESIGNATED ARE NOMINAL.		
	THIS SPECIFICATION SHEET TAKES PRECEDENCE OVER DOCUMENTS REFERENCED HEREIN. REFERENCED DOCUMENTS SHALL BE OF THE ISSUE IN EFFECT ON DATE OF INVITATION FOR BID.		

## WIRE RATINGS AND ADDITIONAL REQUIREMENTS

TEMPERATURE RATING: 150°C

Maximum continuous conductor temperature

VOLTAGE RATING: 600 volts (rms) at sea level

CONCENTRICITY: 70% (minimum)

CROSSLINKING PROOF TEST: 300 ± 3°C for 7 hours

IDENTIFICATION AND COLOR STRIPING DURABILITY: 125 cycles (250 strokes) (minimum), 500 g weight

INSULATION ELONGATION AND TENSILE STRENGTH:

Elongation, 125% (minimum)

Tensile Strength, 3000 lbf/in<sup>2</sup> (minimum)

INSULATION FLAWS:

Primary Insulation,

Spark Test, 1.5 kV (rms) at 3 kHz

Impulse Dielectric Test, 6.0 kV (peak)

Finished Wire,

Spark Test, 3.0 kV (rms) at 3 kHz

Impulse Dielectric Test, 8.0 kV (peak)

INSULATION THICKNESS:

AWG 8 - 4, .008 inch (minimum) for primary insulation

.012 inch (minimum) for outer jacket

AWG 2 - 0000, .010 inch (minimum) for primary insulation

.015 inch (minimum) for outer jacket

JACKET COLOR: White preferred

SHRINKAGE: 150 ± 3°C for 6 hours, 0.25 inch (maximum) in 12 inches

VOLTAGE WITHSTAND (Post Environmental): 2500 volts (rms), 60 Hz

PART NUMBER:

The "\*" in the part numbers on page 1 shall be replaced by a color code designator.

1/ Example: AWG 2, white: CMC-0587-2-9

PRODUCT IDENTIFICATION: Mark outer jacket in a contrasting color at 12 inch (nominal) intervals with the following: " CMC-0587-AWG-06090 "

1/ See footer section on page 1