



Chipsmall Limited consists of a professional team with an average of over 10 year of expertise in the distribution of electronic components. Based in Hongkong, we have already established firm and mutual-benefit business relationships with customers from,Europe,America and south Asia,supplying obsolete and hard-to-find components to meet their specific needs.

With the principle of “Quality Parts,Customers Priority,Honest Operation,and Considerate Service”,our business mainly focus on the distribution of electronic components. Line cards we deal with include Microchip,ALPS,ROHM,Xilinx,Pulse,ON,Everlight and Freescale. Main products comprise IC,Modules,Potentiometer,IC Socket,Relay,Connector.Our parts cover such applications as commercial,industrial, and automotives areas.

We are looking forward to setting up business relationship with you and hope to provide you with the best service and solution. Let us make a better world for our industry!



Contact us

Tel: +86-755-8981 8866 Fax: +86-755-8427 6832

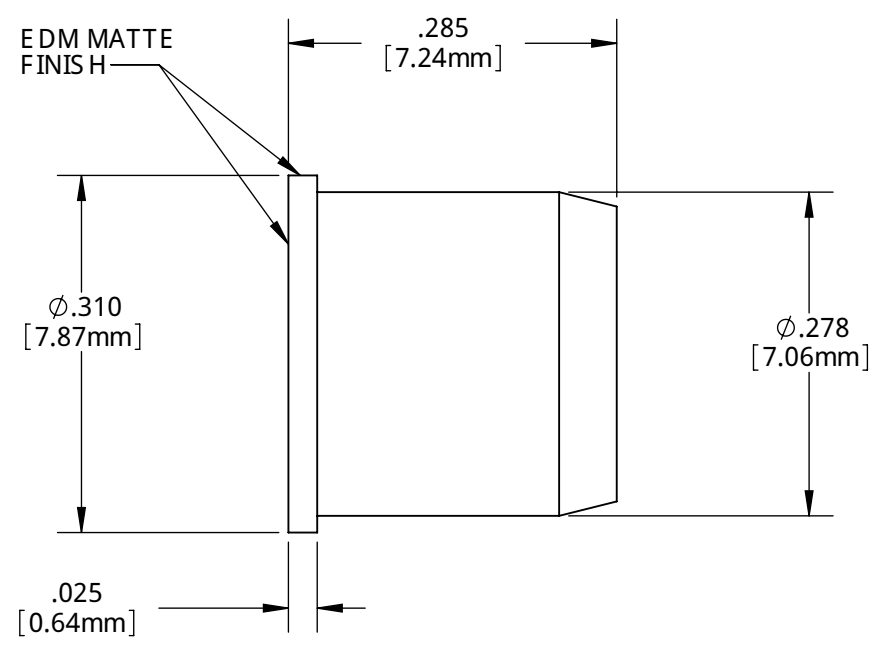
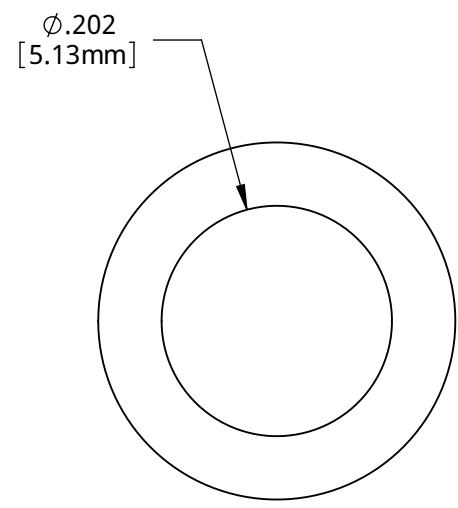
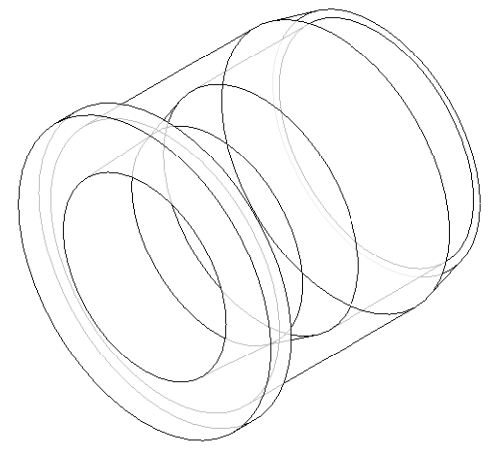
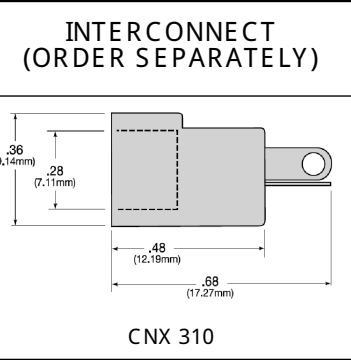
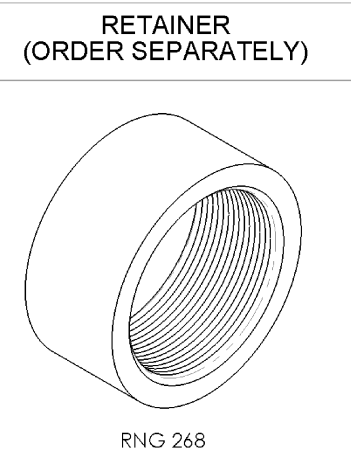
Email & Skype: info@chipsmall.com Web: www.chipsmall.com

Address: A1208, Overseas Decoration Building, #122 Zhenhua RD., Futian, Shenzhen, China



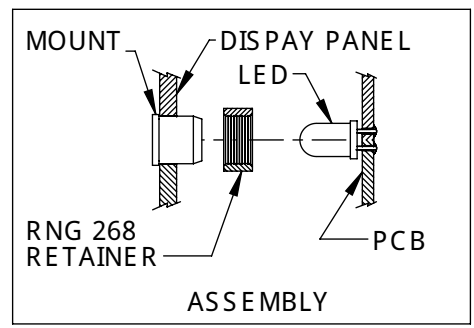
- NOTES:
1. MOUNTING: Mounts in a $\phi .281 \pm .002$ [$\phi 7.13\text{mm} \pm .05$] panel hole on .375 [9.5mm] centers. Panel thickness .031 [0.8mm] to .125 [3.18mm]. Panel hole should be deburred, but not chamfered.
 2. ASSEMBLY: Insert mount through panel hole, slide retainer on back of lens. PCB mounted LEDs slide into lens when the panel cover is closed or the PCB card is inserted into the case.
 3. U.S. & Foreign Pat. Issued & Pend.

REVISIONS				
EC N#	REV.	DESCRIPTION	DATE	INITIALS
	1	DELETE .270 DIM.	7-1-00	JS
	2	.200 WAS .205, .310 WAS .300	7-24-01	JS
	3	.240 WAS .232	7-31-01	JS
	001	REVISED PER EC R111009AZ01	6-20-10	SMU



ORDERING CODE: **CMC 285 X X X**

CLIP MOUNT COLOR	
BLK	BLACK
CTP	CLEAR TRANSPARENT



UNLESS OTHERWISE SPECIFIED DIMENSIONS ARE IN INCHES:		MATERIAL POLYCARBONATE, UL 94-V2, BLACK		VISUAL COMMUNICATIONS COMPANY, INC. 190 Bosstick Boulevard, Suite 101 San Marcos, CA 92069 USA Phone (760) 560-1300 Fax (760) 560-1301 email vccsales@vcc-lite.com	
ANGLES $\pm 1^\circ$	DECIMALS .X $\pm .020$.XX $\pm .010$.XXX $\pm .005$	FINISH B		TITLE: CLIPLITE® CMC 285 MOUNT	
THIRD ANGLE PROJECTION		APPROVAL		DATE	
DRAWN: SMU		6-20-10		SIZE DWG. NO. REV	
CHECKED: DZ		6-20-10		B CMC 285 XXX 001	
DO NOT SCALE DRAWING		SCALE: 1:1		SHEET 1 OF 1	