



Chipsmall Limited consists of a professional team with an average of over 10 year of expertise in the distribution of electronic components. Based in Hongkong, we have already established firm and mutual-benefit business relationships with customers from,Europe,America and south Asia,supplying obsolete and hard-to-find components to meet their specific needs.

With the principle of “Quality Parts,Customers Priority,Honest Operation,and Considerate Service”,our business mainly focus on the distribution of electronic components. Line cards we deal with include Microchip,ALPS,ROHM,Xilinx,Pulse,ON,Everlight and Freescale. Main products comprise IC,Modules,Potentiometer,IC Socket,Relay,Connector.Our parts cover such applications as commercial,industrial, and automotives areas.

We are looking forward to setting up business relationship with you and hope to provide you with the best service and solution. Let us make a better world for our industry!



## Contact us

Tel: +86-755-8981 8866 Fax: +86-755-8427 6832

Email & Skype: info@chipsmall.com Web: www.chipsmall.com

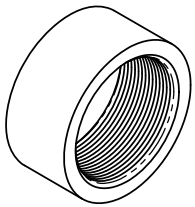
Address: A1208, Overseas Decoration Building, #122 Zhenhua RD., Futian, Shenzhen, China



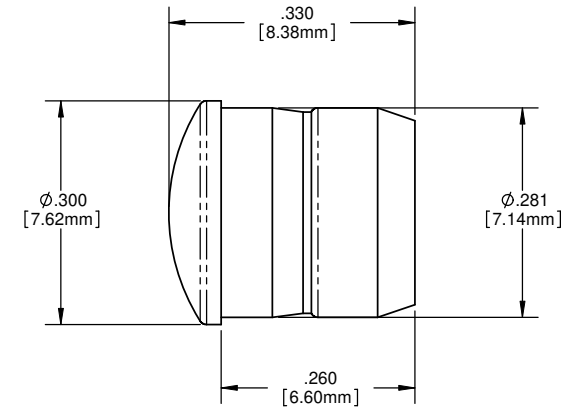
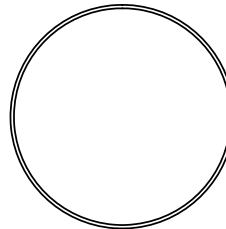
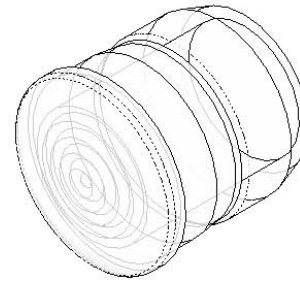
- NOTES:
1. MOUNTING: Mounts in a  $\phi .281 \pm .002$  [ $\phi 7.13\text{mm} \pm .05$ ] panel hole on .375 [9.5mm] centers. Panel thickness .031 [0.8mm] to .250 [6.35mm]. Panel hole should be deburred, but not chamfered.
  2. ASSEMBLY: Insert lens through panel hole, slide RNG 268 retainer on back of lens. PCB mounted LEDs slide into lens when the panel cover is closed or the PCB card is inserted into the case.
  3. MATERIAL: Polycarbonate, UL 94-V2
  4. U.S. & Foreign Pat. Issued & Pend.

REVISIONS				
ECN#	REV.	DESCRIPTION	DATE	INITIALS
	001	REVISED PER EC R111009AZ01	4-23-10	SMU

RETAINER  
(ORDER SEPARATELY)



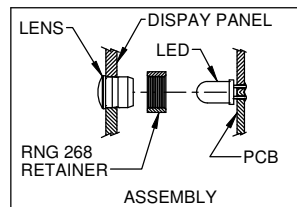
RNG 268




ORDERING CODE : **CMC 321 XXX**

MODEL

LENS COLOR	
RTP	RED TRANSPARENT
ATP	AMBER TRANSPARENT
GTP	GREEN TRANSPARENT
BTP	BLUE TRANSPARENT
YTP	YELLOW TRANSPARENT
CTP	CLEAR TRANSPARENT



<small>UNLESS OTHERWISE SPECIFIED DIMENSIONS ARE IN INCHES: ANGLES DECIMALS ±1" .X ±.020 XXX ±.010 XXX ±.005</small> <small>BREAK ALL CORNERS AND SHARP EDGES 90° MIN</small>  <small>THIRD ANGLE PROJECTION</small> <small>THE INFORMATION CONTAINED IN THIS DRAWING IS THE SOLE PROPERTY OF VISUAL COMMUNICATIONS COMPANY, INC. AND IS LOANED TO YOU AS A SINGLE REFERENCE TO THE COMPANY'S PRODUCT. IT IS NOT TO BE REPRODUCED OR COPIED WITHOUT THE WRITTEN CONSENT OF VISUAL COMMUNICATIONS COMPANY, INC.</small>	<b>MATERIAL</b> POLYCARBONATE, UL 94-V2	<b>VISUAL COMMUNICATIONS COMPANY, INC.</b> <small>190 Bosstick Boulevard, Suite 101 San Marcos, CA 92069 USA            Phone (760) 560-1300 Fax (760) 560-1301 email vccsales@vccite.com</small>
	<b>FINISH</b> SEE NOTES	<b>TITLE: 5MM ROUND FRESNEL LOW PROFILE LENS</b>
<small>APPROVAL</small> SMU 4-23-10	<small>DATE</small> 4-23-10	<small>SIZE</small> DWG. NO. <b>B CMC 321 XXX</b>
<small>CHECKED:</small> DZ 4-23-10	<small>DO NOT SCALE DRAWING</small>	<small>REV</small> <b>001</b> <small>SCALE: 1:1</small> <small>SHEET 1 OF 1</small>