



Chipsmall Limited consists of a professional team with an average of over 10 year of expertise in the distribution of electronic components. Based in Hongkong, we have already established firm and mutual-benefit business relationships with customers from,Europe,America and south Asia,supplying obsolete and hard-to-find components to meet their specific needs.

With the principle of “Quality Parts,Customers Priority,Honest Operation,and Considerate Service”,our business mainly focus on the distribution of electronic components. Line cards we deal with include Microchip,ALPS,ROHM,Xilinx,Pulse,ON,Everlight and Freescale. Main products comprise IC,Modules,Potentiometer,IC Socket,Relay,Connector.Our parts cover such applications as commercial,industrial, and automotives areas.

We are looking forward to setting up business relationship with you and hope to provide you with the best service and solution. Let us make a better world for our industry!



Contact us

Tel: +86-755-8981 8866 Fax: +86-755-8427 6832

Email & Skype: info@chipsmall.com Web: www.chipsmall.com

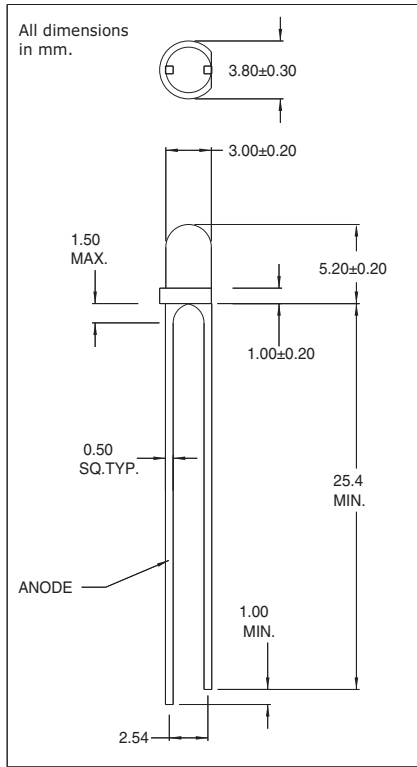
Address: A1208, Overseas Decoration Building, #122 Zhenhua RD., Futian, Shenzhen, China





CMD204 UWC Series T-1 White LED

DESCRIPTION AND FEATURES



ELECTRO-OPTICAL CHARACTERISTICS AND RATINGS

PART NUMBER	CMD204UWC
Output Color	White
Diffusion	Non-Diffused
Package Color	Clear
Test Current (mA)	20
Forward Voltage Typ. (V)	3.7
Forward Voltage Max. (V)	3.85
Luminous Intensity Min. (mcd)	700
Luminous Intensity Typ. (mcd)	1000
Luminous Intensity Max. (mcd)	-
Peak Wavelength (nm)	475
Viewing Angle (degrees)	22
Power Dissipation (mW)	120
Operating Temperature (°C)	-20 to +70
Storage Temperature (°C)	-30 to +100
Peak Forward Current Max. (1µs @ 10% duty cycle) (mA)	100
Reverse Voltage (IR=100µA) (V)	5.0
Lead Solder Time @ 260°C	5

147 Central Avenue
 Hackensack, NJ 07601
 Phone: (201) 489-8989
 Fax: (201) 489-6911

18703 Dix Toledo Road
 Brownstown, MI 48193

Saret Zone Franca, Edificio B
 Alajuela Costa Rica

E-mail: sales@chml.com • Web Site: www.chml.com

Chicago Miniature Lighting, LLC reserves the right to make specification revisions that enhance the design and/or performance of the product