



Chipsmall Limited consists of a professional team with an average of over 10 year of expertise in the distribution of electronic components. Based in Hongkong, we have already established firm and mutual-benefit business relationships with customers from,Europe,America and south Asia,supplying obsolete and hard-to-find components to meet their specific needs.

With the principle of “Quality Parts,Customers Priority,Honest Operation,and Considerate Service”,our business mainly focus on the distribution of electronic components. Line cards we deal with include Microchip,ALPS,ROHM,Xilinx,Pulse,ON,Everlight and Freescale. Main products comprise IC,Modules,Potentiometer,IC Socket,Relay,Connector.Our parts cover such applications as commercial,industrial, and automotives areas.

We are looking forward to setting up business relationship with you and hope to provide you with the best service and solution. Let us make a better world for our industry!



Contact us

Tel: +86-755-8981 8866 Fax: +86-755-8427 6832

Email & Skype: info@chipsmall.com Web: www.chipsmall.com

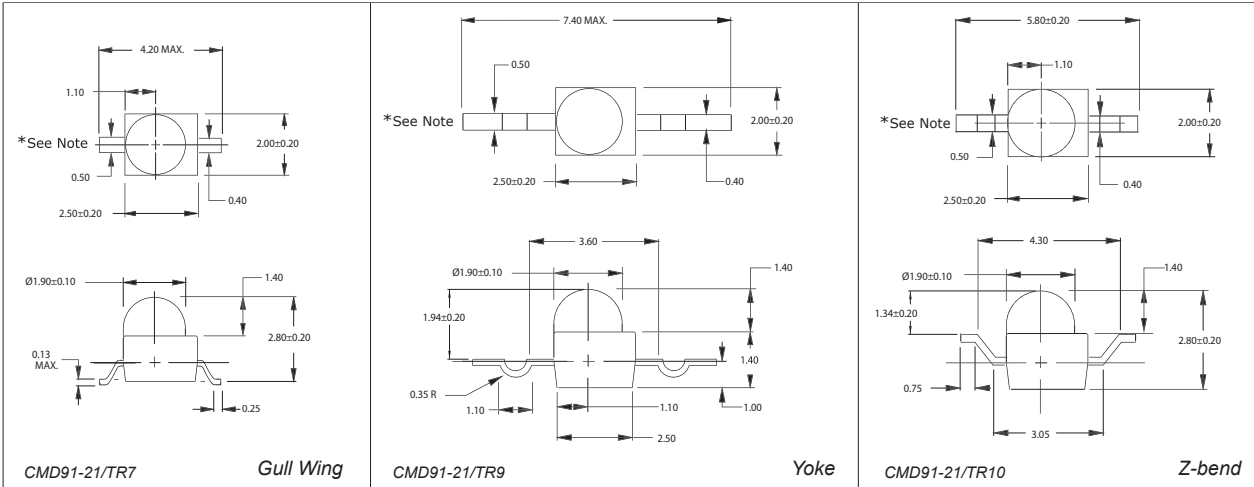
Address: A1208, Overseas Decoration Building, #122 Zhenhua RD., Futian, Shenzhen, China



CMD91-21/TR7, TR9, TR10 Series SMT LEDs

Description and Features

All dimensions in mm.



* Cathode for VGC/YVC/VRC
Anode for SRC

Surface Mount Technology

- Tape and reel packaged for high-speed autoinsertion.
- Convection and vapor-phase reflow compatible.
- Compact form enables high density placement.
- RoHS Compliant

Leading Edge LED Optoelectronic Performance

- Consistent high brightness.
- Gull wing, Yoke or Z-bend lead configuration.

Exceptional Reliability

- Stringent process controls assure quality.
- Extensive qualification testing to meet strictest requirements.
- Designed to permit easy post-reflow solder joint inspection.

Electro-Optical Characteristics

Part Number	Emitted Color	Lens Color	Luminous Intensity@20Ma		Forward Voltage		Viewing Angle (degrees)	Peak Wavelength (nm)
			Min. (mcd)	Typ. (mcd)	Typ. (V)	Max. (V)		
CMD91-21VGC/TR7/TR9/TR10	Green	Clear	30.0	50.0	2.1	2.8	25	565
CMD91-21VYC/TR7/-/TR10	Yellow	Clear	18.0	30.0	2.0	2.8	25	585
CMD91-21VRC/TR7/-/TR10	H.E. Red	Clear	48.0	80.0	2.0	2.8	25	640
CMD91-21SRC/TR7	Red	Clear	113.0	170.0	1.7	2.4	25	660

Absolute Maximum Ratings

	Green	H.E.Red	Yellow	Red	Units
Power Dissipation.....	105.....	105.....	105.....	100.....	mW
Storage/Operating Temperature.....	-40 to +85.....	-40 to +85.....	-40 to +85.....	-40 to +85.....	°C
Peak Forward Current (1µs @ 10% duty cycle).....	150.....	150.....	150.....	150.....	mA
Reverse Voltage (IR=100µA).....	4.0.....	4.0.....	4.0.....	4.0.....	V
Lead Solder Time @ 260°C.....	5.....	5.....	5.....	5.....	Seconds
Average Forward Current.....	25.....	30.....	30.....	30.....	mA